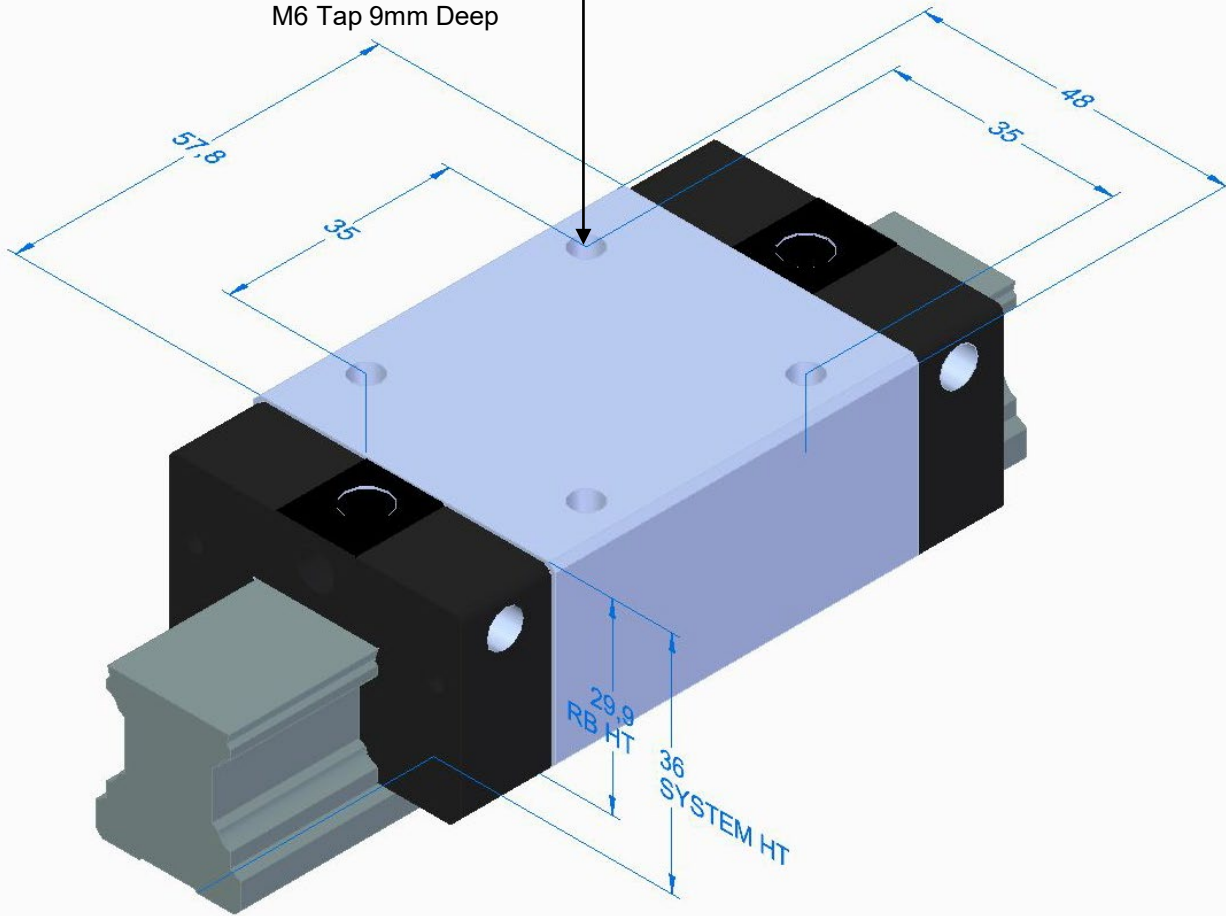


4 PLCS Mounting Hole
M6 Tap 9mm Deep



Low Drag Runner Block Version
No End Seals – Oil Preserved



- 0.50 kg
- FW runner block
- KWD Ball runner block
- 25
- SNS Slim, normal, standard height
- CS Carbon steel
- C0 – 10 micron clearance
- N Normal
- LS/99 – Low Friction/No seal
- 0 Without ball retainer
- 02 Preserved
- 00 No Lube
- M6X9

10 MILLION METER RELUBRICATION SCHEDULE

RATINGS

		<u>ENGLISH</u>
28,600 N	Basic Dynamic Capacity	6530 lbs
35,900 N	Static Capacity	8071 lbs
410 Nm	Roll Moment Dynamic Capacity	302 ft-lbs
510 Nm	Roll Moment Static Capacity	346 ft-lbs
290 Nm	Pitch/Yaw Moment Dynamic Capacity	214 ft-lbs
360 Nm	Pitch/Yaw Moment Static Capacity	266 ft-lbs

Bosch Rexroth BSHP Ball Rail Runner Block
KWD-025-SNS-CS-C0-N-LS/99-0-02-00-BX-LS-000-RS-000-01

PN: 1622-294-25_R030101329_LD  **Low Drag**



UNITS : mm

www.morrell-group.com