

Engineered Linear Modules

Linear Motion Made Easy

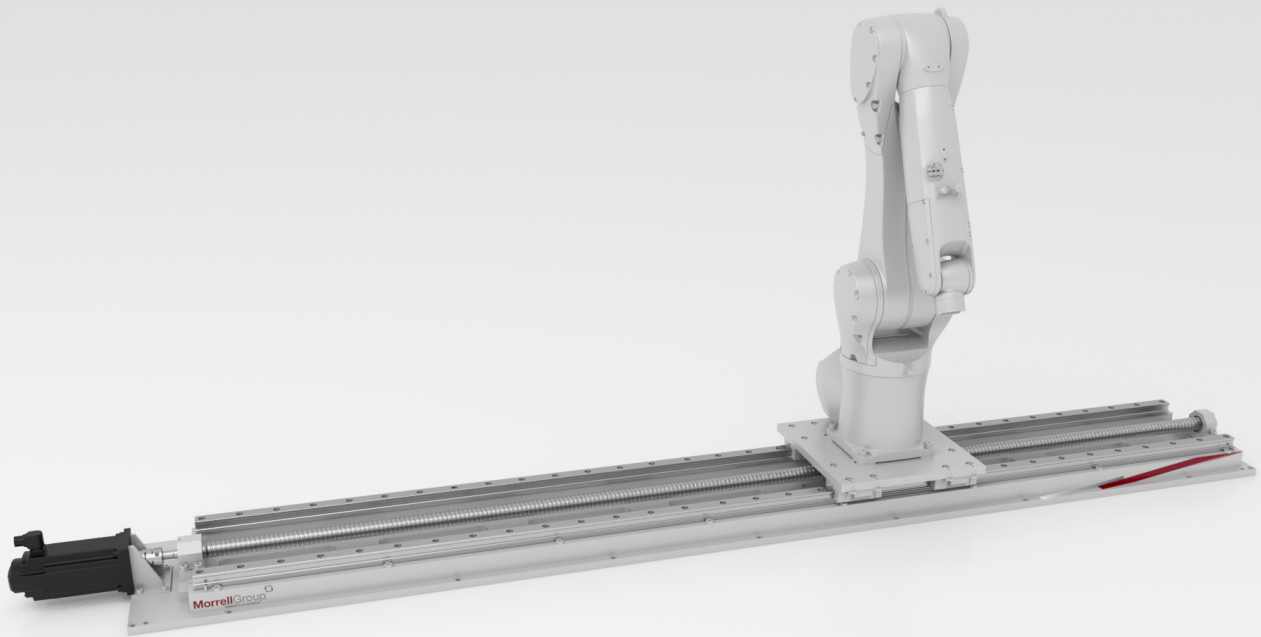
Engineered Linear Modules are a pre-engineered linear motion solution for heavy loads and/or high speeds. Already designed and tested by our in-house, at-the-ready engineering team, these modules eliminate the stress and hassle of independently engineering linear systems. All you need to do is provide the specifications for the load, orientation, speed, travel precision, environment, duty, drive, and configuration, and our expert engineers take it from there. Reduce room for error, work with linear motion specialists, obtain a final design, and rest easy.



Drive Options

Engineered Linear Modules are available in several drive options: ball screw, rack and pinion, and belt. Each option provides varying levels of accuracy, repeatability, speed, and acceleration.

Ready to Revolutionize Your Linear Motion?
Call 248-373-1600, email info@morrellinc.com,
or visit morrell-group.com/engineered-linear-modules/



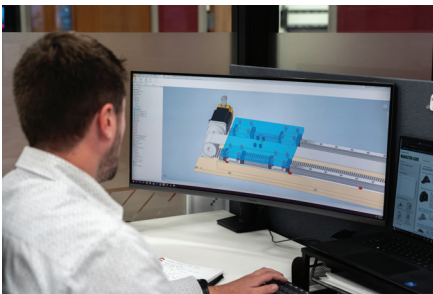
Applications

- Robot Transfer Units
- Electric Battery Manufacturing
- Gantry Systems

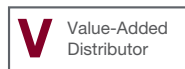
Industries

- Fast-Moving Consumer Goods
- Raw Materials
- Industrial Components

Expertly Designed



All Engineered Linear Module designs are made with durable and high-quality components. Our team of linear motion experts quickly and efficiently design customer slides based on specs, drive options, and mounting configurations.



248-373-1600 • morrell-group.com • orders@morrellinc.com

MI (HQ) • IL • IN • IA • MN • ND • OH • ON, CAN • SD

MorrellIndustrial 
A Division of Womack Group