

# Get moving with

# TS Express from Rexroth



## **The industry's best conveyor—now available with market-best lead times**

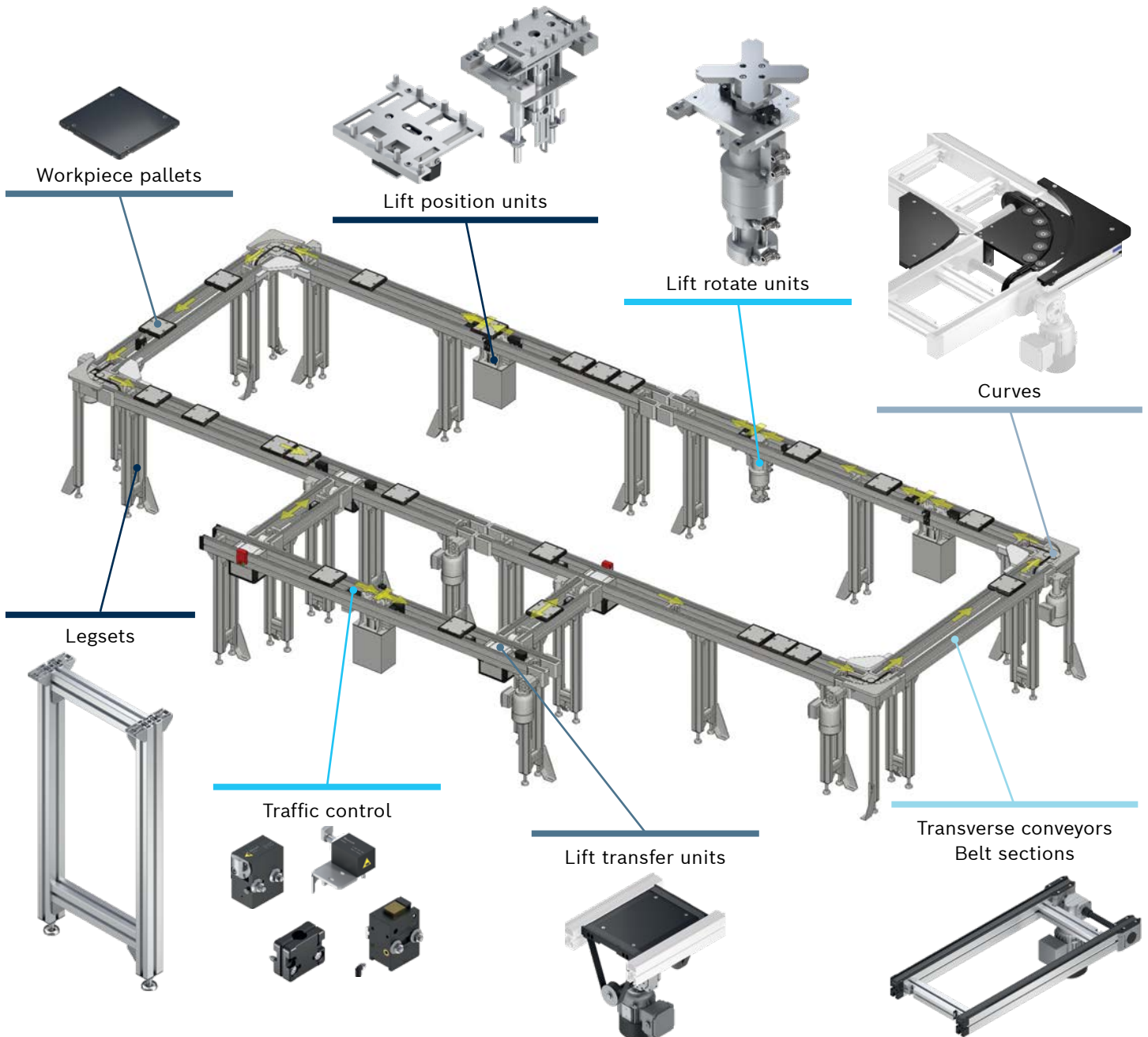
Improve manufacturing productivity and product quality even faster with the TS *2plus* assembly conveyor from Rexroth—now available with market-best lead times for select modules through the TS Express program. Easy to order, easier to specify and use: All components of the TS *2plus* system are pre-engineered and modular, so you can easily combine modules and accessories as needs require. And the system can be easily expanded, reconfigured or relocated as your needs change. **We move. You win.**

[www.boschrexroth-us.com/tsconveyors](http://www.boschrexroth-us.com/tsconveyors)

**rexroth**  
A Bosch Company

**TS Express delivers**

**with 4-week lead times**



- Full range of the most popular TS *2plus* modules and components
- Based on belt medias (flat belt & toothed belt)
- Square Pallet Sizes 160x160 to 400x400 in both STL and 12.7AL
- Speeds – 12 & 18 m/min
- V/Hz – 208/60, 440/60, 575/60

USA00012\_2019-11 (Replaces: 2019-10)

**MorrellGroup**  
Evolution in Controls

**E** Engineering Partner

**S** Systems Integrator

**V** Value-Added Distributor

248-373-1600 • morrell-group.com • orders@morrellinc.com  
MI • IN • IL • OH • ON, CAN

**Bosch Rexroth Corporation**  
14001 South Lakes Drive, Charlotte, NC 28273  
www.boschrexroth-us.com