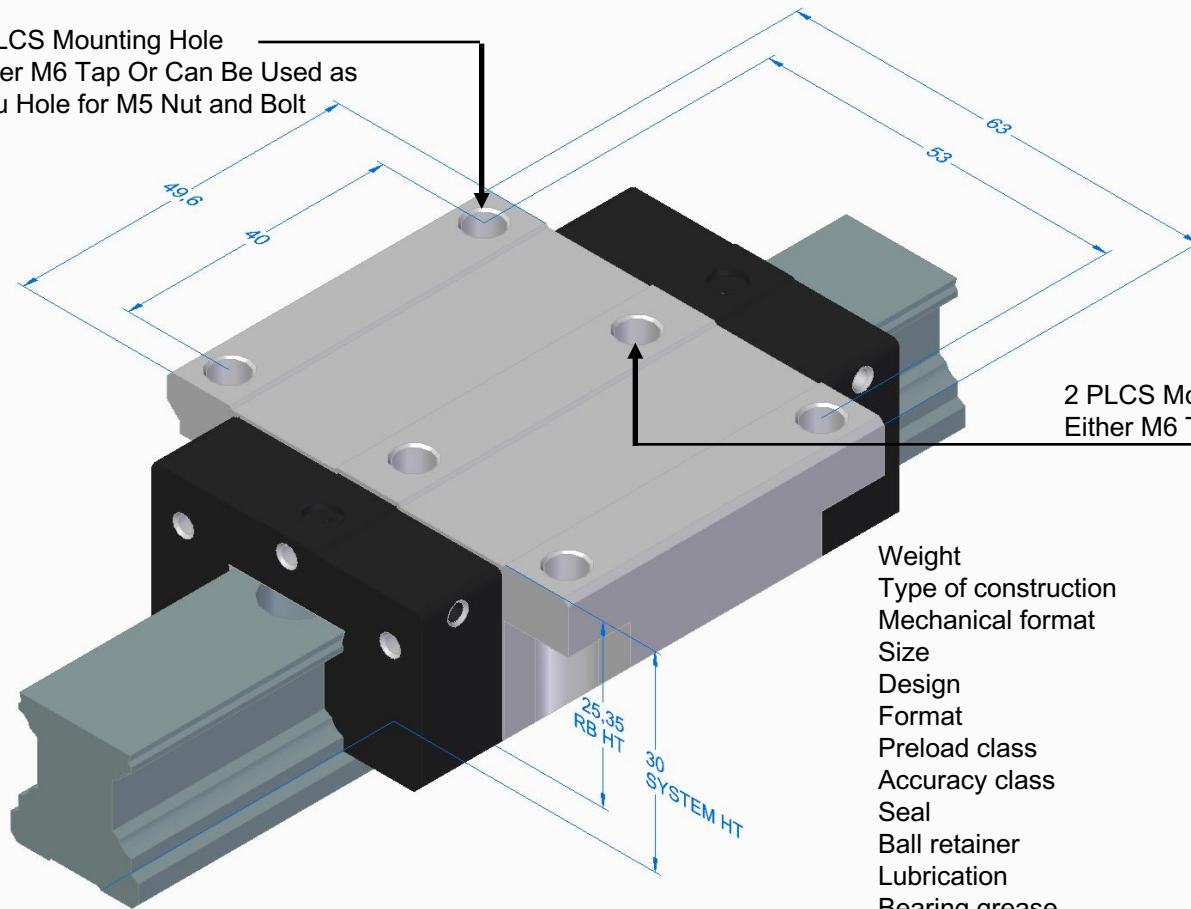


4 PLCS Mounting Hole
Either M6 Tap Or Can Be Used as
Thru Hole for M5 Nut and Bolt



2 PLCS Mounting Hole
Either M6 Tap



Weight	0.45 kg
Type of construction	FW runner block
Mechanical format	KWD Ball runner block
Size	20
Design	FNS Flanged, normal, standard height
Format	CS Carbon steel
Preload class	C0 without preload
Accuracy class	N Normal
Seal	SS Standard seal
Ball retainer	0 Without ball retainer
Lubrication	01 Prelubricated, preserved
Bearing grease	S1 Dynalub 510
Fitting	M6X8

10 MILLION METER RELUBRICATION SCHEDULE

<u>RATINGS</u>	<u>ENGLISH</u>
23,400 N Basic Dynamic Capacity	5,260 lbs
29,800 N Static Capacity	6,700 lbs
300 Nm Roll Moment Dynamic Capacity	221 ft-lbs
380 Nm Roll Moment Static Capacity	280 ft-lbs
200 Nm Pitch/Yaw Moment Dynamic Capacity	147 ft-lbs
260 Nm Pitch/Yaw Moment Static Capacity	192 ft-lbs

Bosch Rexroth BSHP Ball Rail Runner Block
KWD-020-FNS-CS-C0-N-SS-0-01-S1-00-BX-LS-000-RS-000-01
PN: 1651-894-20

MorrellGroup
Evolution in Controls

www.morrell-group.com

rexroth
A Bosch Company

UNITS : mm