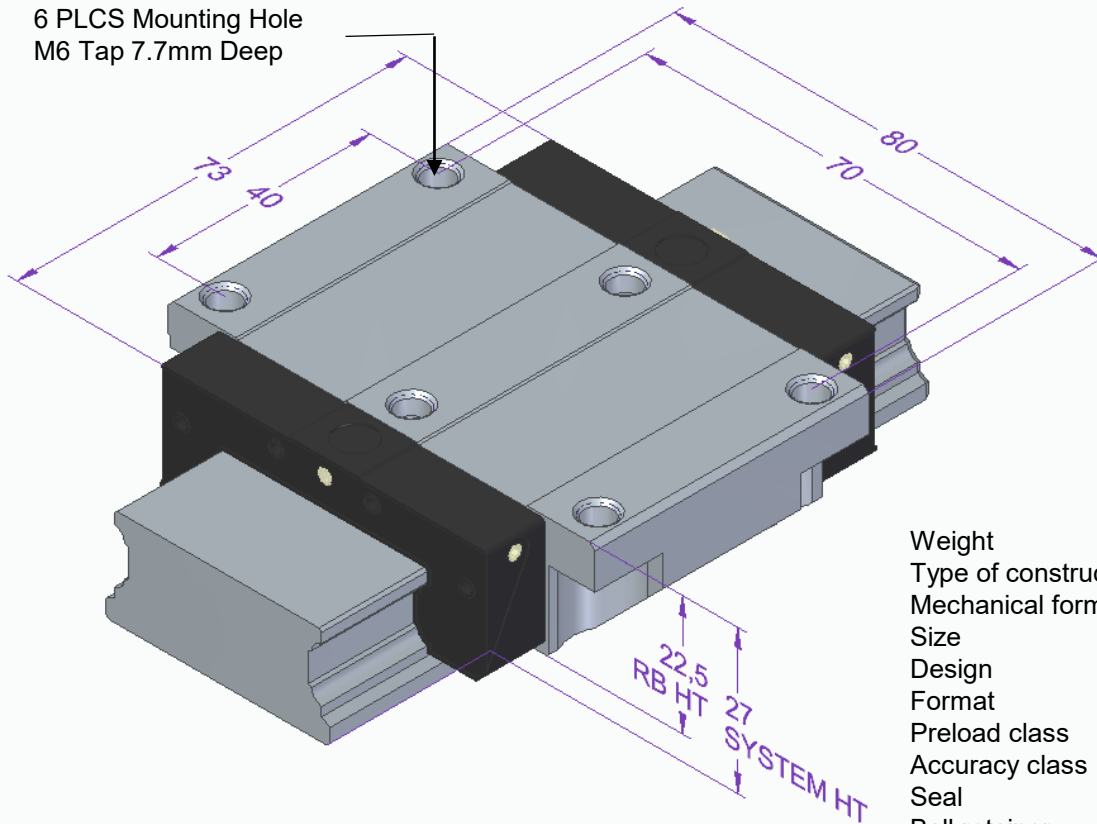


6 PLCS Mounting Hole
M6 Tap 7.7mm Deep



Low Drag Runner Block Version
No End Seals – Oil Preserved



Weight	0.40 kg
Type of construction	FW runner block
Mechanical format	KWD Ball runner block
Size	20/40
Design	BNS Wide, normal, standard height
Format	CS Carbon steel
Preload class	C0 – 10 micron clearance
Accuracy class	N Normal
Seal	LS/99 – Low Friction/No seal
Ball retainer	0 Without ball retainer
Lubrication	02 Preserved
Bearing grease	00 No Lube
Fitting	M6X7.7

10 MILLION METER RELUBRICATION SCHEDULE

<u>RATINGS</u>	<u>ENGLISH</u>
14,900 N Basic Dynamic Capacity	10,989 lbs
20,600 N Static Capacity	15,194 lbs
340 Nm Roll Moment Dynamic Capacity	819 ft-lbs
470 Nm Roll Moment Static Capacity	1,283 ft-lbs
140 Nm Pitch/Yaw Moment Dynamic Capacity	5620 ft-lbs
190 Nm Pitch/Yaw Moment Static Capacity	833 ft-lbs

Bosch Rexroth BSHP Ball Rail Runner Block
KWD-020-BNS-CS-C0-N-LS/99-0-02-00-BX-LS-000-RS-000-01

PN: 1671-594-25_R030101334_LD  **Low Drag**

MorrellGroup
Evolution in Controls

rexroth
A Bosch Company

UNITS : mm

www.morrell-group.com