

# New Fixed Displacement Industrial Hydraulic Power Packs

The Drive & Control Company



Designed for  
Industrial  
Applications . . .

Delivered in  
Minimal Time . . .

**Standard Features:**

- Pressures up to 3000 PSI
- Flow: 0.4 to 10 GPM
- Fixed displacement pumps
- Electric Motor:  
1/2 - 20 HP @ 1750 rpm
- System Relief Valve and Gauge
- 20µ absolute  
In-tank return filter/filler/breather
- Check valve in pressure line
- In-tank return down line
- Tank Capacities: 2-1/2 to 20 gal.

**Options:**

- Bar manifold up to six stations
- Heat exchangers

## Features & Benefits

### Factory Built Units

The Rexroth standard power pack line has been designed to industrial standards and features a wide range of fixed displacement pumps along with an extensive line of motor and valve options. Available flow rates range from 0.4 to 10.0 GPM with 2.5, 5, 10, 15, and 20 gallon steel reservoirs. The availability of 1/2 to 20 HP electric motors, and optional bar manifolds with up to 6 valve stations (D03) will cover most standard applications. All standard power packs come supplied with our factory warranty and international serviceability.

### Standard Power Packs

Each standard power pack is equipped with a fluid level indicator with thermometer, pressure line check valve, system relief with pressure gauge, auxiliary down line, and in-tank return filter. The return line filter includes a filler-breather, visual clogging indicator, and a 20µ absolute filter element.

Water or air cooled heat exchangers are available as an option to the standard power pack. Bar Manifolds with up to 6 valve stations (D03) are also available.

Electric Motors are standard TEFC, 1750 rpm, 3 phase. Single phase is available with 1/2, 3/4 and 1 HP.

### Availability

The fixed displacement power pack is a pre-engineered power unit, and is fabricated from standard industrial grade hydraulic components and accessories. This allows Rexroth to offer competitively priced power units with a minimal delivery time. This also results in ease of maintenance and availability of replacement parts.

### Operation

Fill reservoir with premium grade hydraulic fluid (Mobil DTE 26 or equivalent). Maintain fluid level at the top of the clear portion of the sight glass during machine operation. Electrical connections on the motor must conform to the motor nameplate. Rotation direction is checked by "jogging" the motor. (See Rexroth Data Sheet RA 07 900, attached to power pack, for complete start-up instructions.)

These units are designed to operate with working pressures up to 3000 PSI (210 Bar). Standard power packs are designed under the rigid standards of ISO 9001 and maintain the high standards of workmanship and dependability you expect from Rexroth. The ease of operation and low maintenance of the power pack provides years of quality performance without downtime or worry.



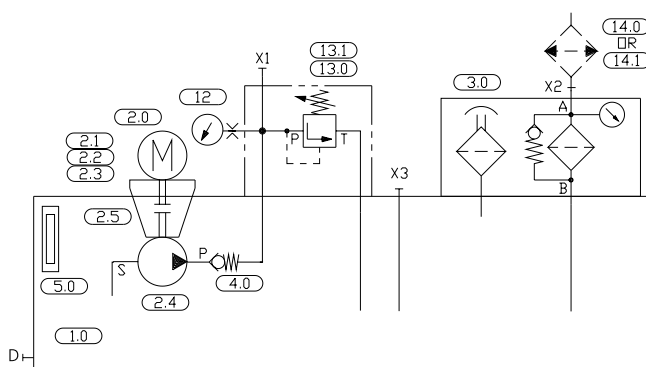
# Fixed Displacement Power Pack Model Code

PP										*	
Power Pack										Directional and Modular Valves specified in clear text	
Reservoir Size										Optional Heat Exchanger	
										H1 =	Water/Oil Type, all Sizes
										H2 =	Air/Oil Type, Sizes 2.5 & 5 Gallon
										H3 =	Air/Oil Type, Sizes 10, 15 & 20 Gallon
Pump Size										Optional D03 Bar Manifold with Pressure Gauge and Relief Valve	
Pump Model										BM1 =	with 1 Station Bar Manifold
Gear Pump Options Available:										BM2 =	with 2 Station Bar Manifold
Model P1										BM3 =	with 3 Station Bar Manifold
Model G2										BM4 =	with 4 Station Bar Manifold
										BM5 =	with 5 Station Bar Manifold
										BM6 =	with 6 Station Bar Manifold
Motor Horsepower										RV =	Relief Valve & Pressure Gauge
See basic unit table for horsepower (HP based on reservoir & pump size)											

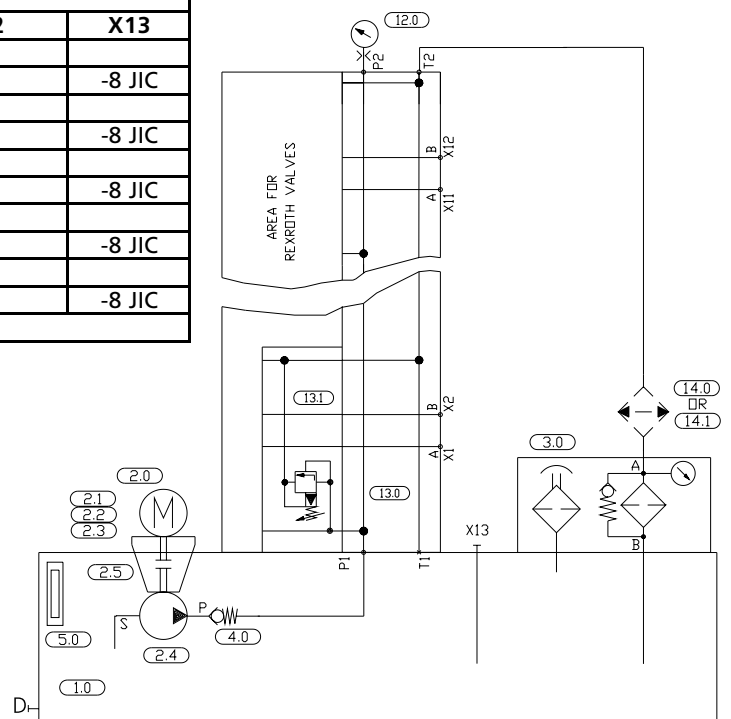
Example: PP 10 G2-005 3 BM3 H1

## Circuits

Reservoir Size	RV Option			BM Option	
	Connections				
	X1	X2	X3	X1-X12	X13
2 1/2	-6 SAE	-12 SAE	-8 JIC	-8 SAE	-8 JIC
5	-6 SAE	-12 SAE	-8 JIC	-8 SAE	-8 JIC
10	-8 JIC	-12 SAE	-8 JIC	-8 SAE	-8 JIC
15	-12 JIC	-12 SAE	-8 JIC	-8 SAE	-8 JIC
20	-12 JIC	-12 SAE	-8 JIC	-8 SAE	-8 JIC
Reservoir Drain: -8 SAE					



RV Circuit

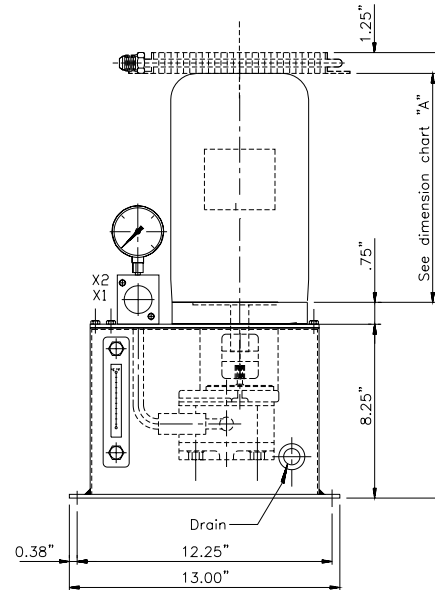
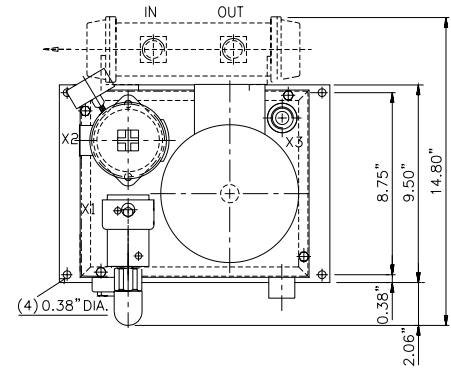


BM Circuit



Model PP2.5/P1-9/1/RV

## 2-1/2 Gallon Power Pack

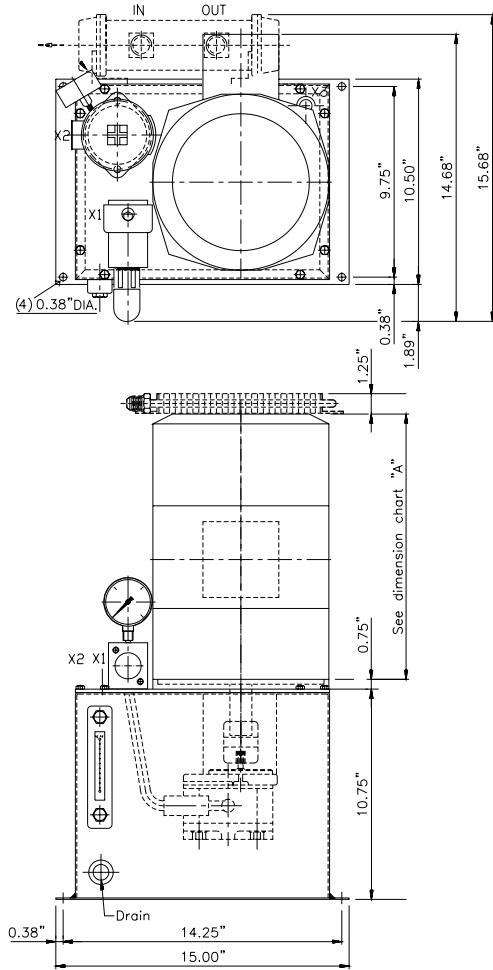


Electric Motor Dimension Chart				
Horsepower	RPM	Frame	Phase	"A"
1/2	1750	56C	Single	9.94"
1/2	1750	56C	3	9.32"
3/4	1750	56C	Single	10.44"
3/4	1750	56C	3	9.32"
1	1750	143TC	Single	11.18"
1	1750	143TC	3	9.93"
2	1750	145TC	3	11.25"

Model Code	Pump Model	Power* hp (kw)	Displacement in <sup>3</sup> /rev (cm <sup>3</sup> /rev)	Max. Flow GPM (L/min)	Max. Pressure PSI (bar)
PP2.5/P1-4/1	P1-4	1.0 (0.7)	0.05 (0.82)	0.4 (1.51)	3000 (210)
PP2.5/P1-9/1	P1-9	1.0 (0.7)	0.10 (0.16)	0.8 (3.02)	1800 (125)
PP2.5/P1-9/2	P1-9	2.0 (1.4)	0.10 (0.16)	0.8 (3.02)	3000 (210)
PP2.5/P1-13/1	P1-13	1.0 (0.7)	0.15 (2.45)	1.1 (4.15)	1300 (90)
PP2.5/P1-13/2	P1-13	2.0 (1.4)	0.15 (2.45)	1.1 (4.15)	2600 (180)
PP2.5/P1-17/1	P1-17	1.0 (0.7)	0.20 (3.27)	1.5 (5.67)	950 (65)
PP2.5/P1-17/2	P1-17	2.0 (1.4)	0.20 (3.27)	1.5 (5.67)	1900 (131)

\* Standard motors: 3 phase, 60 hertz, 230/460 volts, 1750 RPM, TEFC  
 Optional 3 phase motors: 1/2 and 3/4 horsepower  
 Optional single phase, 60 hertz, 115/208/230 volts, 1750 RPM, TEFC motors: 1/2, 3/4, and 1 horsepower

# 5 Gallon Power Pack



Model PP5/G2-004/3/RV/H2

Electric Motor Dimension Chart				
Horsepower	RPM	Frame	Phase	"A"
1/2	1750	56C	Single	9.94"
1/2	1750	56C	3	9.32"
3/4	1750	56C	Single	10.44"
3/4	1750	56C	3	9.32"
1	1750	143TC	Single	11.18"
1	1750	143TC	3	9.93"
2	1750	145TC	3	11.25"
3	1750	182TC	3	12.56"
5	1750	184TC	3	13.93"

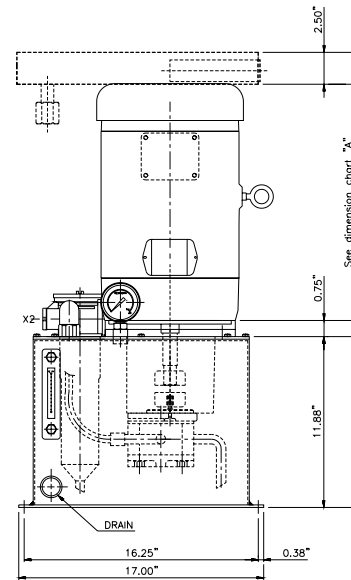
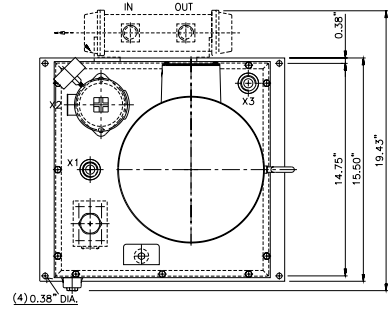
Model Code	Pump Model	Power* hp (kw)	Displacement in <sup>3</sup> /rev (cm <sup>3</sup> /rev)	Max. Flow GPM (L/min)	Max. Pressure PSI (bar)
PP5/P1-13/1	P1-13	1 (0.7)	0.15 (2.45)	1.1 (4.15)	1300 (90)
PP5/P1-17/2	P1-17	2 (1.4)	0.20 (3.27)	1.5 (5.67)	1900 (131)
PP5/G2-004/1	G2-004	1 (0.7)	0.24 (3.93)	1.8 (6.80)	800 (55)
PP5/G2-004/2	G2-004	2 (1.4)	0.24 (3.93)	1.8 (6.80)	1610 (110)
PP5/G2-004/3	G2-004	3 (2.2)	0.24 (3.93)	1.8 (6.80)	2420 (165)
PP5/G2-004/5	G2-004	5 (3.7)	0.24 (3.93)	1.8 (6.80)	2900 (200)
PP5/G2-005/1	G2-005	1 (0.7)	0.34 (5.57)	2.5 (9.46)	580 (40)
PP5/G2-005/2	G2-005	2 (1.4)	0.34 (5.57)	2.5 (9.46)	1160 (80)
PP5/G2-005/3	G2-005	3 (2.2)	0.34 (5.57)	2.5 (9.46)	1740 (120)
PP5/G2-005/5	G2-005	5 (3.7)	0.34 (5.57)	2.5 (9.46)	2900 (200)

\* Standard motors: 3 phase, 60 hertz, 230/460 volts, 1750 RPM, TEFC  
 Optional 3 phase motors: 1/2 and 3/4 horsepower  
 Optional single phase, 60 hertz, 115/208/230 volts, 1750 RPM, TEFC motors: 1/2, 3/4, and 1 horsepower

# 10 Gallon Power Pack



Model PP10/G2-008/5/RV

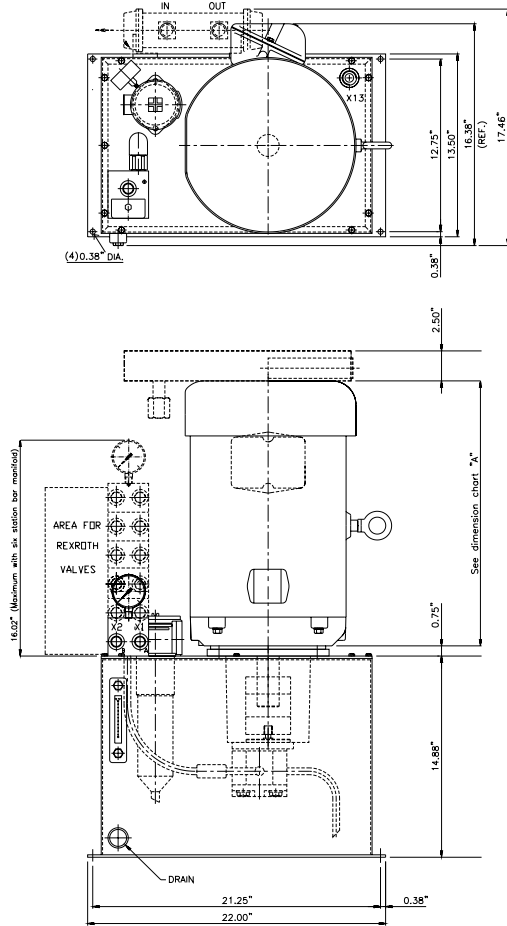


Electric Motor Dimension Chart				
Horsepower	RPM	Frame	Phase	"A"
1/2	1750	56C	Single	9.94"
1/2	1750	56C	3	9.32"
3/4	1750	56C	Single	10.44"
3/4	1750	56C	3	9.32"
1	1750	143TC	Single	11.18"
1	1750	143TC	3	9.93"
2	1750	145TC	3	11.25"
3	1750	182TC	3	12.56"
5	1750	184TC	3	13.93"
7-1/2	1750	213TC	3	15.06"
10	1750	215TC	3	16.43"

Model Code	Pump Model	Power* hp (kw)	Displacement in <sup>3</sup> /rev (cm <sup>3</sup> /rev)	Max. Flow GPM (L/min)	Max. Pressure PSI (bar)
PP10/G2-005/1	G2-005	1 (0.7)	0.34 (5.57)	2.5 (9.46)	580 (40)
PP10/G2-005/2	G2-005	2 (1.4)	0.34 (5.57)	2.5 (9.46)	1160 (80)
PP10/G2-005/3	G2-005	3 (2.2)	0.34 (5.57)	2.5 (9.46)	1740 (120)
PP10/G2-005/5	G2-005	5 (3.7)	0.34 (5.57)	2.5 (9.46)	2900 (200)
PP10/G2-008/2	G2-008	2 (1.4)	0.5 (8.20)	3.5 (13.25)	830 (55)
PP10/G2-008/3	G2-008	3 (2.2)	0.5 (8.20)	3.5 (13.25)	1240 (85)
PP10/G2-008/5	G2-008	5 (3.7)	0.5 (8.20)	3.5 (13.25)	2080 (140)
PP10/G2-008/7.5	G2-008	7.5 (5.5)	0.5 (8.20)	3.5 (13.25)	3000 (210)
PP10/G2-011/3	G2-011	3 (2.2)	0.68 (11.14)	5.0 (18.93)	870 (60)
PP10/G2-011/5	G2-011	5 (3.7)	0.68 (11.14)	5.0 (18.93)	1450 (100)
PP10/G2-011/7.5	G2-011	7.5 (5.5)	0.68 (11.14)	5.0 (18.93)	2180 (150)
PP10/G2-011/10	G2-011	10 (7.4)	0.68 (11.14)	5.0 (18.93)	2900 (200)

\* Standard motors: 3 phase, 60 hertz, 230/460 volts, 1750 RPM, TEFC  
 Optional 3 phase motors: 1/2 and 3/4 horsepower.  
 Optional single phase, 60 hertz, 115/208/230 volts, 1750 RPM, TEFC motors: 1/2, 3/4, and 1 horsepower.

# 15 Gallon Power Pack



Model PP15/G2-011/7.5/BM1/H3

Note: • Valves must be specified separately  
 • Flow control modules must be designated M/O or M/I

Electric Motor Dimension Chart				
Horsepower	RPM	Frame	Phase	"A"
2	1750	145TC	3	11.25"
3	1750	182TC	3	12.56"
5	1750	184TC	3	13.93"
7-1/2	1750	213TC	3	15.06"
10	1750	215TC	3	16.43"
15	1750	254TC	3	19.66"

Model Code	Pump Model	Power* hp (kw)	Displacement in <sup>3</sup> /rev (cm <sup>3</sup> /rev)	Max. Flow GPM (L/min)	Max. Pressure PSI (bar)
PP15G2-008/2	G2-008	2 (1.4)	0.5 (8.20)	3.5 (13.25)	830 (55)
PP15/G2-008/3	G2-008	3 (2.2)	0.5 (8.20)	3.5 (13.25)	1240 (85)
PP15/G2-008/5	G2-008	5 (3.7)	0.5 (8.20)	3.5 (13.25)	2080 (140)
PP15/G2-008/7.5	G2-008	7.5 (5.5)	0.5 (8.20)	3.5 (13.25)	3000 (210)
PP15/G2-011/3	G2-011	3 (2.2)	0.68 (11.14)	5.0 (18.93)	870 (60)
PP15/G2-011/5	G2-011	5 (3.7)	0.68 (11.14)	5.0 (18.93)	1450 (100)
PP15/G2-011/7.5	G2-011	7.5 (5.5)	0.68 (11.14)	5.0 (18.93)	2180 (150)
PP15/G2-011/10	G2-011	10 (7.4)	0.68 (11.14)	5.0 (18.93)	2900 (200)
PP15/G2-016/5	G2-016	5 (3.7)	0.99 (16.23)	7.5 (28.39)	970 (65)
PP15/G2-016/7.5	G2-016	7.5 (5.5)	0.99 (16.23)	7.5 (28.39)	1450 (100)
PP15/G2-016/10	G2-016	10 (7.4)	0.99 (16.23)	7.5 (28.39)	1940 (135)
PP15/G2-016/15	G2-016	15 (11.1)	0.99 (16.23)	7.5 (28.39)	2900 (200)

\* Standard motors: 3 phase, 60 hertz, 230/460 volts, 1750 RPM, TEFC.

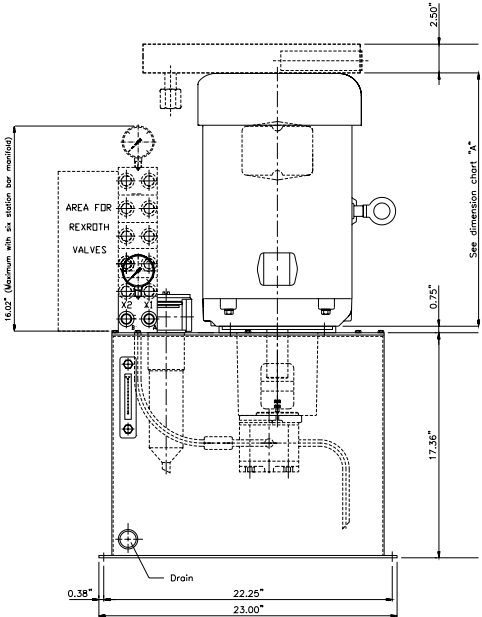
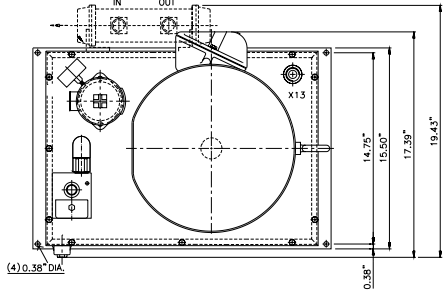
# 20 Gallon Power Pack



Model PP20/G2-016/10/BM4/H1

Note: • Valves must be specified separately  
 • Flow control modules must be designated M/O or M/I

Horsepower	RPM	Frame	Phase	"A"
3	1750	182TC	3	12.56"
5	1750	184TC	3	13.93"
7-1/2	1750	213TC	3	15.06"
10	1750	215TC	3	16.43"
15	1750	254TC	3	19.66"
20	1750	256TC	3	19.88"



Model Code	Pump Model	Power* hp (kw)	Displacement in <sup>3</sup> /rev (cm <sup>3</sup> /rev)	Max. Flow GPM (L/min)	Max. Pressure PSI (bar)
PP20/G2-011/3	G2-011	3 (2.2)	0.68 (11.14)	5.0 (18.93)	870 (60)
PP20/G2-011/5	G2-011	5 (3.7)	0.68 (11.14)	5.0 (18.93)	1450 (100)
PP20/G2-011/7.5	G2-011	7.5 (5.5)	0.68 (11.14)	5.0 (18.93)	2180 (150)
PP20/G2-011/10	G2-011	10 (7.4)	0.68 (11.14)	5.0 (18.93)	2900 (200)
PP20/G2-016/5	G2-016	5 (3.7)	0.99 (16.23)	7.5 (28.39)	970 (65)
PP20/G2-016/7.5	G2-016	7.5 (5.5)	0.99 (16.23)	7.5 (28.39)	1450 (100)
PP20/G2-016/10	G2-016	10 (7.4)	0.99 (16.23)	7.5 (28.39)	1940 (135)
PP20/G2-016/15	G2-016	15 (11.1)	0.99 (16.23)	7.5 (28.39)	2900 (200)
PP20/G2-022/7.5	G2-022	7.5 (5.5)	1.37 (22.45)	10.0 (37.85)	1090 (75)
PP20/G2-022/10	G2-022	10 (7.4)	1.37 (22.45)	10.0 (37.85)	1450 (100)
PP20/G2-022/15	G2-022	15 (11.1)	1.37 (22.45)	10.0 (37.85)	2180 (150)
PP20/G2-022/20	G2-022	20 (14.9)	1.37 (22.45)	10.0 (37.85)	2900 (200)

\* Standard motors: 3 phase, 60 hertz, 230/460 volts, 1750 RPM, TEFC.

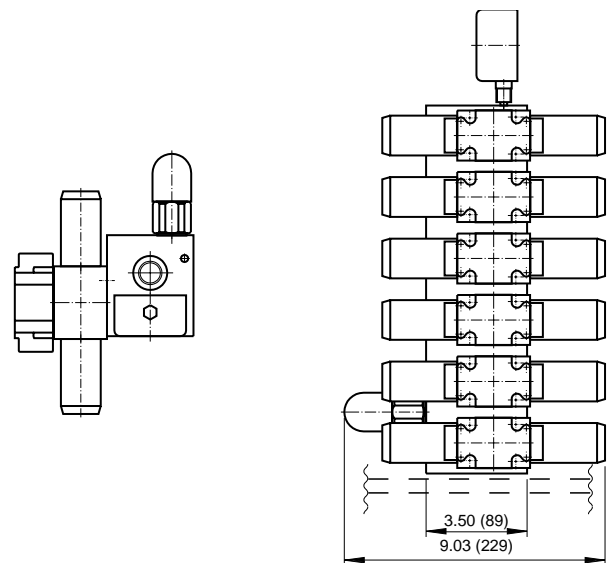


## Return Filter

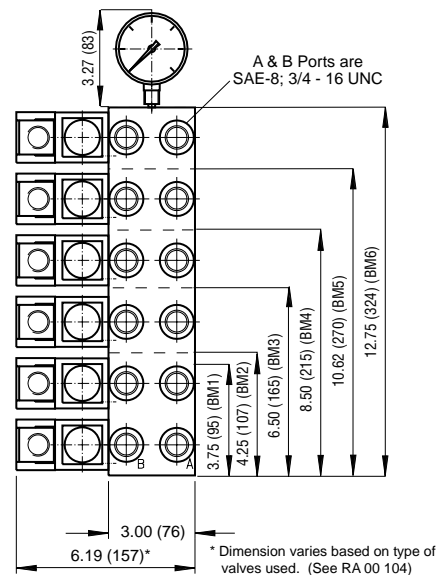


Filter Replacement Element  
 2-1/2 and 5 gallon units: US00889083  
 10, 15 and 20 gallon units: US00889084

## Optional Bar Manifold

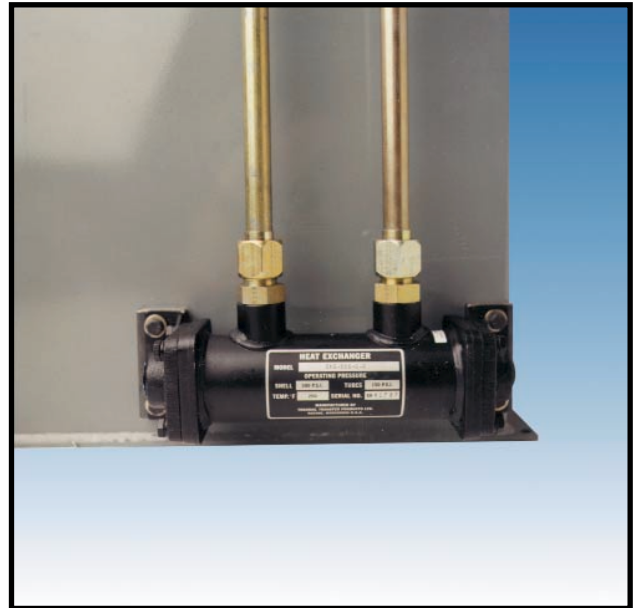
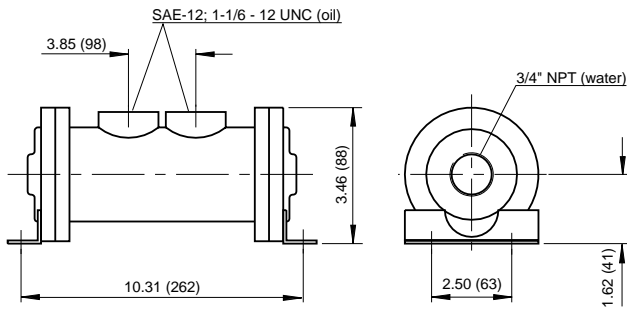


## Relief Valve with Pressure Gauge



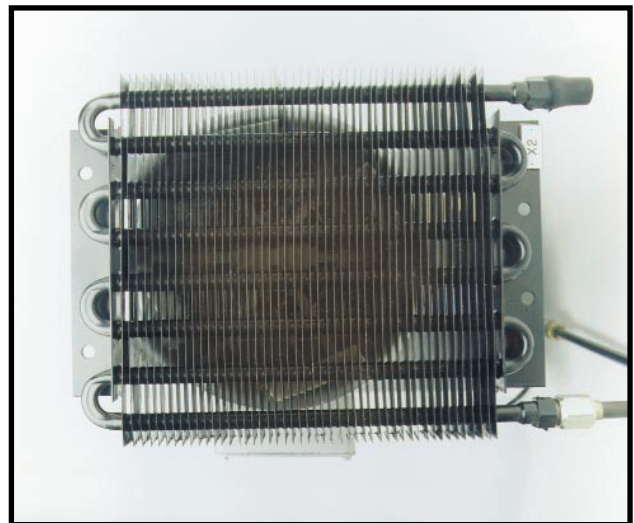
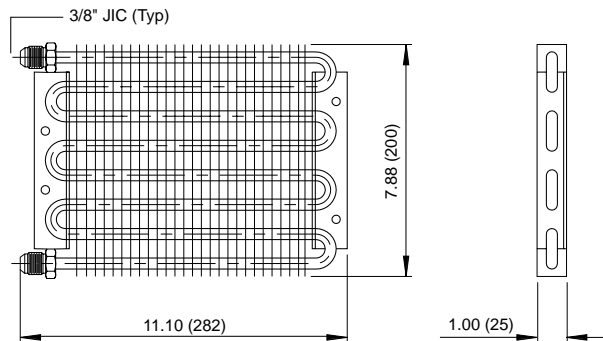
## Water/Oil Type

Code	Heat Exchanger	Size (gallons)
H1	P/N US00884023	2-1/2 - 20

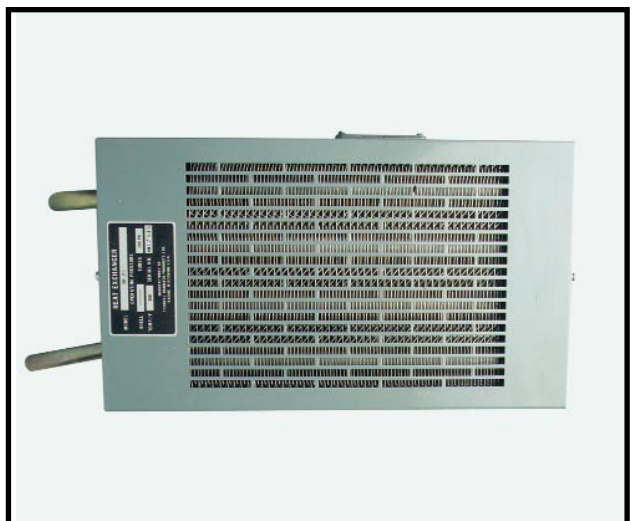
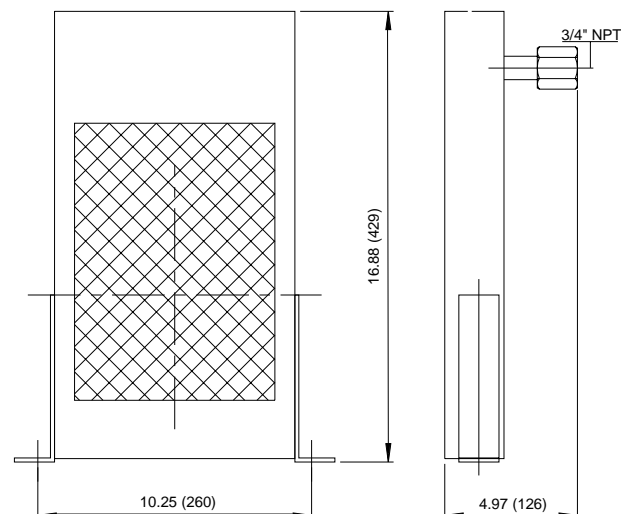


## Air/Oil Type

Code	Heat Exchanger	Size (gallons)
H2	P/N US00809109	2-1/2 & 5



Code	Heat Exchanger	Size (gallons)
H3	P/N US00808140	10 - 20



## Design, Fabricating and Testing



RA 09 788/10.99  
Replaces: 03.98

Printed in the United States

Bosch Rexroth Corporation  
Industrial Hydraulics  
2315 City Line Road  
Bethlehem, PA 18017-2131  
Telephone (610) 694-8300  
Facsimile (610) 694-8467  
www.boschrexroth-us.com

Bosch Rexroth Corporation  
Corporate Headquarters  
5150 Prairie Stone Parkway  
Hoffman Estates, IL 60192-3707  
Telephone (847) 645-3600  
Facsimile (847) 645-6201

Bosch Rexroth Corporation  
Electric Drives and Controls  
5150 Prairie Stone Parkway  
Hoffman Estates, IL 60192-3707  
Telephone (847) 645-3600  
Facsimile (847) 645-6201

Bosch Rexroth Corporation  
Linear Motion and  
Assembly Technologies  
816 E. Third Street  
Buchanan, MI 49107  
Telephone (616) 695-0151  
Facsimile (616) 695-5363

Bosch Rexroth Corporation  
Pneumatics  
1953 Mercer Road  
Lexington, KY 40511-1021  
Telephone (859) 254-8031  
Facsimile (859) 281-3491

Bosch Rexroth Corporation  
Mobile Hydraulics  
1700 Old Mansfield Road  
Wooster, OH 44691-0394  
Telephone (330) 263-3300  
Facsimile (330) 263-3333



248-373-1600 • morrell-group.com • orders@morrellinc.com

MI • IN • IL • OH • ON, CAN