

Multifunctional Gate Box MGB



EUCHNER

More than safety.

EUCHNER

More than safety.



Headquarters in Leinfelden-Echterdingen



Logistics center in Leinfelden-Echterdingen



Production location in Unterböhringen

Internationally successful – the EUCHNER company

EUCHNER GmbH + Co. KG is a world-leading company in the area of industrial safety technology. EUCHNER has been developing and producing high-quality switching systems for mechanical and systems engineering for more than 60 years.

The medium-sized family-operated company based in Leinfelden, Germany, employs around 750 people around the world.

18 subsidiaries and other sales partners in Germany and abroad work for our international success on the market.

Quality and innovation – the EUCHNER products

A look into the past shows EUCHNER to be a company with a great inventive spirit. We take the technological and ecological challenges of the future as an incentive for extraordinary product developments.

EUCHNER safety switches monitor safety doors on machines and installations, help to minimize dangers and risks and thereby reliably protect people and processes. Today, our products range from electromechanical and electronic components to intelligent integrated safety solutions. Safety for people, machines and products is one of our dominant themes.

We define future safety technology with the highest quality standards and reliable technology. Extraordinary solutions ensure the great satisfaction of our customers.

The product ranges are subdivided as follows:

- ▶ Transponder-coded Safety Switches
- ▶ Transponder-coded Safety Switches with guard locking
- ▶ Multifunctional Gate Box MGB
- ▶ Access management systems (Electronic-Key-System EKS)
- ▶ Electromechanical Safety Switches
- ▶ Magnetically coded Safety Switches
- ▶ Enabling Switches
- ▶ Safety Relays
- ▶ Emergency Stop Devices
- ▶ Hand-Held Pendant Stations and Handwheels
- ▶ Safety Switches with AS-Interface
- ▶ Joystick Switches
- ▶ Position Switches

 **made
in
Germany**

Multifunctional Gate Box MGB

General information	4	
System overview and selection aid	7	
Approvals and explanation of symbols	8	
System family MGB	9	
Interlocking sets MGB-L0-...	10	MGB-AP
Locking sets MGB-L1-...	16	
Locking sets MGB-L2-...	38	
Technical data and dimension drawings	50	
System family MGB with control module	53	
Interlocking sets MGB-LOC-AR...	54	MGB-AR
Locking sets MGB-L1C-AR...	56	
Locking sets MGB-L2C-AR...	58	
Technical data and dimension drawings	60	
Expansions and accessories for MGB-AP and MGB-AR	63	
System family MGB-PN	85	
Locking sets MGB-L1-PN...	86	MGB-PN
Locking sets MGB-L2-PN...	98	
Control modules MGB-...-PN...	114	
Technical data and dimension drawing	120	
Item index	126	
Item index by item designation	126	
Item index by order numbers	128	

A handle on the future

The MGB (**Multifunctional Gate Box**) is a unique interlocking or guard locking system for the protection of safety doors on machines and systems.

The MGB offers that little bit more: it is more than a safety switch, more than a bolt, and offers a lot more functionality!

A system that can grow with your needs

Even the basic system comprising handle module and evaluation module (as interlocking module or locking module) includes numerous functions. Whether interlocking, guard locking, escape release or other functions such as pushbuttons for start/stop, emergency stop, etc. – the MGB meets all your requirements for safety-related applications.

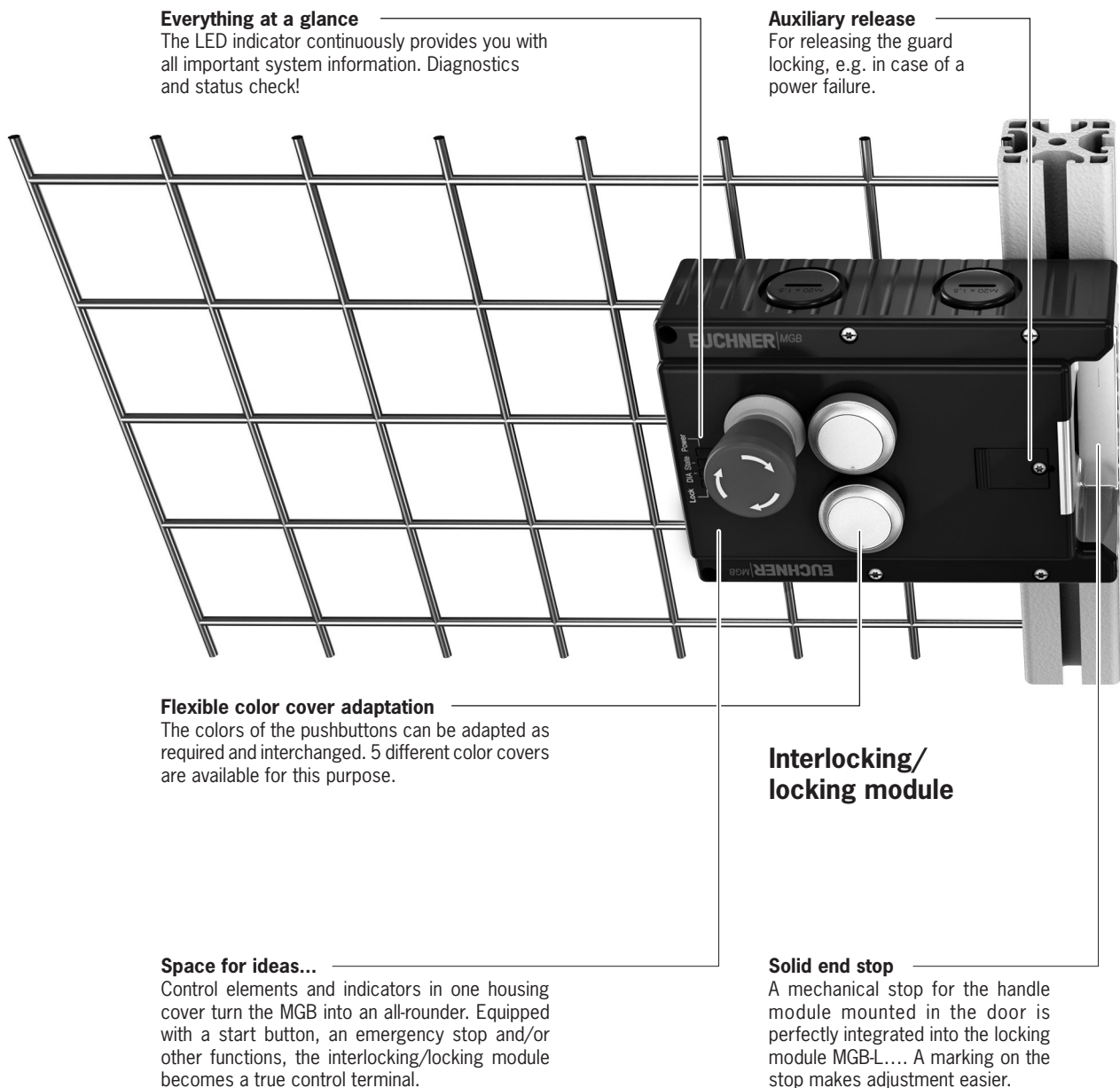
And if your needs grow, the MGB system grows with them. Due to the sophisticated modular design, the evaluation module can quickly become a small control panel.

Or with an additional control module straight away

In the wide variety of different MGBs, you will definitely find the right one for your application. If not, using the control module you can add lamps, pushbuttons or even completely different operating functions. The control module is permanently fastened to the evaluation module using the connection set.

Be certain of compliance with standards

Performance Level e in accordance with EN ISO 13849-1 or SIL3 in accordance with EN 62061 – even with the basic system you meet all these requirements. Also the requirements of EN 14119 for protection against tampering are met automatically, as each evaluation module is permanently assigned to a handle module in the unicode version.



Everything at a glance

The LED indicator continuously provides you with all important system information. Diagnostics and status check!

Auxiliary release

For releasing the guard locking, e.g. in case of a power failure.

Flexible color cover adaptation

The colors of the pushbuttons can be adapted as required and interchanged. 5 different color covers are available for this purpose.

Interlocking/locking module

Space for ideas...

Control elements and indicators in one housing turn the MGB into an all-rounder. Equipped with a start button, an emergency stop and/or other functions, the interlocking/locking module becomes a true control terminal.

Solid end stop

A mechanical stop for the handle module mounted in the door is perfectly integrated into the locking module MGB-L.... A marking on the stop makes adjustment easier.

Safety remains the most important goal

Are you locked in inside the danger zone? The optional escape release is intuitive to operate! Whether in the event of a power failure or active guard locking – simply press down the red door handle to leave the danger zone quickly.

For protection when working in the danger zone you can block the bolt tongue using up to 3 padlocks in the integrated lockout mechanism. Unintentional activation of the interlocking/guard locking is prevented. Is the lockout mechanism to extend automatically when the door is open? No problem with the right handle module.

Easy to mount and sophisticated design

All MGB modules are optimized for use on fences made of aluminum profiles or steel frames. The MGB is equally suitable for doors hinged on the left or right. Both mounting and changing the actuating direction can be undertaken particularly quickly and easily. Usage on safety doors that are not constructed of profiles, works of course just as well.

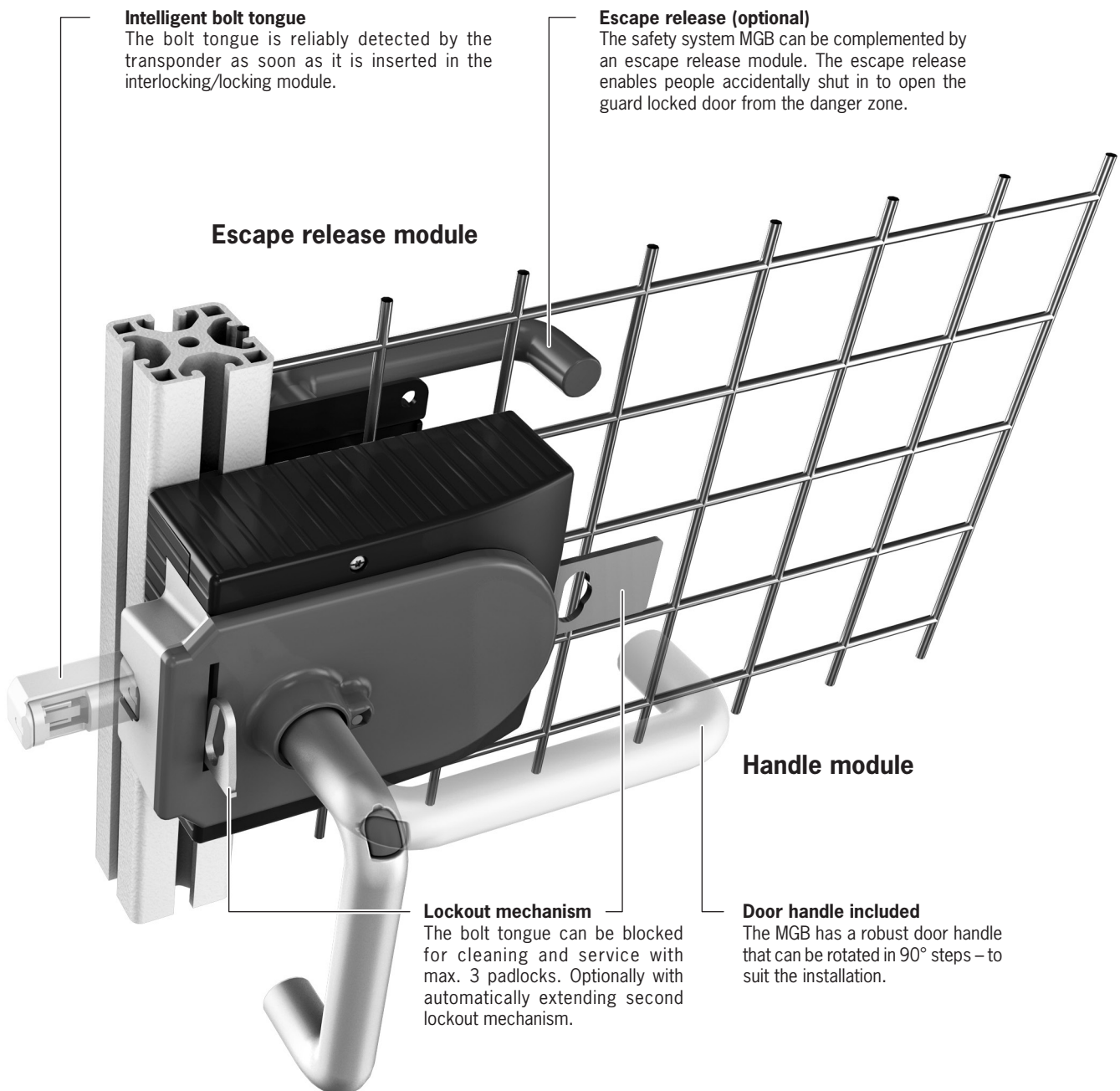
The adjustment of safety doors in fences changes over time. With ± 4 mm tolerance in the x direction as well as ± 5 mm in the z direction, the MGB is right there where the problem starts. Nevertheless, if a safety door should be even more out of adjustment, the large funnel in the evaluation module “catches” the bolt tongue and guides it into the center position.

Bolt tongue, bolt guide and insertion funnel will also withstand occasional slamming of the door. Robust metal parts protect the MGB against this problem as well. To prevent injuries, the bolt tongue remains retracted with the door open. Do you use hinged doors or sliding doors? The MGB is suitable for both. This aspect eases spare parts stockholding.

You always have an overview

Four built-in LEDs continuously provide all the necessary system information: power supply available, door closed, bolt tongue inserted, guard locking activated, diagnostics messages – everything can be seen clearly at a glance. This information is of course also available to the control system.

(Read on the next page what else there is in the MGB!)



Intelligent bolt tongue

The bolt tongue is reliably detected by the transponder as soon as it is inserted in the interlocking/locking module.

Escape release (optional)

The safety system MGB can be complemented by an escape release module. The escape release enables people accidentally shut in to open the guard locked door from the danger zone.

Escape release module

Handle module

Lockout mechanism

The bolt tongue can be blocked for cleaning and service with max. 3 padlocks. Optionally with automatically extending second lockout mechanism.

Door handle included

The MGB has a robust door handle that can be rotated in 90° steps – to suit the installation.

Sophisticated accessories

Whether you need mounting plates for easier attachment, pre-assembled cables or a long escape release actuation axis (as the safety door needs to be very thick), you will find all you need in the accessories section.

Economical wiring according to standards

All devices in the family AR can be wired directly in series in a so-called AR series connection without reducing safety or the PL. As a consequence evaluation units are saved. AR devices are also available in the EUCHNER series CES and CET.

The family MGB-AP is particularly suitable for the protection of individual safety doors. If series connection is not necessary, wiring can then be saved. This version has different timing to the AR version.

Seamless integration by means of bus connection

In the PROFINET version we now also make the wiring easier for you. You define which element is to be integrated and the related function. The MGB supplies the protocol frame with the necessary PROFINET input and output bytes required.

Comprehensive diagnostic information in the form of PROFINET messages makes troubleshooting quick and specific. Due to the typical ease with which parameters can be set in PROFINET, even the replacement of the system in case of service is a simple matter and can be undertaken in a few minutes.

Interlocking or guard locking?

Functions of the versions MGB-LO, MGB-L1 and MGB-L2 compared

Interlocking devices (MGB-LO, without guard locking)

Together with a handle module, the interlocking module makes it possible to interlock the control of movable guards. The combination also serves as a mechanical door stop at the same time.

The following switch-on condition applies to the safety outputs FO1A and FO1B (see also System status table):

- ▶ Guard closed (but can be opened at any time)
- ▶ Bolt tongue inserted in the interlocking module

The interlocking module detects the position of the guard and the position of the bolt tongue.

The bolt tongue in the handle module is moved into and out of the interlocking module by actuating the door handle.

The advantages of the Multifunctional Gate Box MGB

- ▶ Suitable for all profiles (optimized for mounting on profiles)
- ▶ Tolerance ± 4 mm in x direction, ± 5 mm in z direction
- ▶ Locking force 2000 N
- ▶ The MGB withstands forces amounting up to 300 Joule
- ▶ Optional escape release with door handle
- ▶ Optional pushbuttons and indicators can be integrated directly into the housing
- ▶ Stable metal stop prevents damage with bolt tongue extended
- ▶ Marking on the evaluation module as adjustment aid
- ▶ The actuating direction is easy to change without disassembly
- ▶ Hidden mounting holes with slots and metal mounting surfaces
- ▶ Housing material made of high quality, fiber glass reinforced plastic
- ▶ Escape release can also be used on doors with double rebate

Guard locking devices (MGB-L1 and MGB-L2)

Together with a handle module, the locking module makes it possible to lock movable guards. The combination also serves as a mechanical door stop at the same time.

The following switch-on condition applies to the safety outputs FO1A and FO1B (see also System status table):

- ▶ Guard closed
- ▶ Bolt tongue inserted in the locking module
- ▶ Locking arm in locking position (the door cannot be opened)

The locking module detects the position of the guard and the position of the bolt tongue. The position of the guard locking is also monitored.

The bolt tongue in the handle module is moved into and out of the locking module by actuating the door handle.

When the bolt tongue is fully inserted in the locking module, the locking arm locks the bolt tongue in this position. Depending on the version, this locking is by spring force or solenoid force.

- ▶ **Version MGB-L1:**The locking arm is held in the locked position by spring force and is unlocked by solenoid force (closed-circuit current principle, mechanically locked).
- ▶ **Version MGB-L2:**The locking arm is held in the locked position by solenoid force and is unlocked by spring force when the solenoid is switched off (open-circuit current principle, electrically locked).

Warning!

The guard can be opened immediately in the event of interruption of the solenoid power supply with the version MGB-L2-...!

This type may be used only in special cases after strict assessment of the accident risk (see EN ISO 14119:2013, section 5.7.1!)

Example: If the risk of accidental locking inside a guard during a power failure is higher than the risk of ineffective guard locking.

Flexible adaptation through configuration

The evaluation module can be configured with the aid of DIP switches. Depending on the setting, the evaluation module behaves like an MGB-AP or MGB-AR device. In addition, guard lock monitoring can be switched on or off, if guard locking is installed.

From V2.2.0, an unlocking monitoring function can be activated that signals whether the auxiliary release or escape release was actuated when guard lock monitoring is active.

Connection to evaluation units or safe control systems

The safety system MGB can be connected to almost any safe evaluation unit or to any safe control system. For this purpose the cross circuit monitoring on the control system is disabled – this function is performed by the MGB. Performance Level e is of course retained.




These features are available in all devices in the families MGB-AP and MGB-AR

- ▶ Emergency release
- ▶ Connection by cable entry, max. 1.5 mm² or plug connector
- ▶ Plug connector connection, either M23 or M12 12-pin
- ▶ Series connection (only with system family AR, for description see above)
- ▶ Connection of pushbuttons to common power supply DC 24 V
- ▶ Connection of lamps to common ground
- ▶ Operation of guard locking via IMP as control input on PLC (only 3 mA)
- ▶ Monitoring outputs
 - ▶ OD = Door closed
 - ▶ OT = Bolt tongue inserted in the evaluation module (in case of guard locking devices ready for operation of the solenoid)
 - ▶ OL = Guard locking solenoid kept in locked position
 - ▶ OI = Diagnostics, there is a fault

System families at a glance

The tables on this page provide you with a quick overview of the features and strengths of the related product family as well as the possible expansions.

What system families are available?

System family	Symbol	Use
MGB-AP		If series connection is not necessary, the number of terminals can be reduced using this system family.
MGB-AR		Linking of several guards on one shutdown path. As a consequence several safety doors can be very simply polled using one evaluation unit or two control system inputs.
MGB-PN		How to utilize the maximum functionality of the MGB in a Profinet environment. Ease of replacement and flexibility are in the foreground here.

It is possible to switch between the MGB-AP and MGB-AR families using DIP switches.

System families compared

The tables provide you with a quick overview of the features and strengths of the related product family as well as the possible expansions.

Feature / special aspect	System family		
	MGB-AP	MGB-AR	MGB-PN
Separate operation	●	○	–
Series connection	–	●	–
Bus connection	–	–	●
Simple diagnostics	○	○	●
Little wiring	●	○	●

Key:

● Particularly suitable ○ Suitable – Not applicable/not possible

Function / expansion	System family		
	MGB-AP	MGB-AR	MGB-PN
Evaluation module with additional functions	● Selection from existing versions, customer-specific version possible *	● Selection from existing versions, customer-specific version possible*	● Selection from existing versions, customer-specific version possible*
Control module with additional functions	○ Flexible configuration due to kit MGB-C (only devices with cable entry)	○ Flexible configuration due to kit MGB-C (only devices with cable entry)	○ Configuration from factory by EUCHNER
Mounting plates	○	○	●
Connection for enabling switch	○ Available in some versions	○	○ Available in some versions
Escape release	Already contained in some sets, can be upgraded at any time.		

Key:



● Standard ○ Optional or on request – Not possible

*) Note minimum order quantity of 50 pieces!

Approvals




To demonstrate conformity, the Machinery Directive also includes the possibility of type examination. Although all relevant standards are taken into account during development, we have all our safety switches subjected to additional type examinations by a notified body.

Many of the devices listed in this catalog have been tested by the German Social Accident Insurance association (DGUV), formerly the employers' liability insurance association (BG), and are given in the lists from the DGUV. With the aid of the approval symbols listed below you can quickly see which approvals are available for the related devices:




	Devices with this symbol are type examined by the German Social Accident Insurance association (DGUV) – formerly the employers' liability insurance association (BG)
	All MGB devices comply with the stipulations of Underwriter Laboratories (UL) and carry the symbol

Explanation of symbols




System families













	System family MGB-AP for separate operation
	System family MGB-AR for separate operation or series connection with other AR devices
	System family MGB-PN for operation in PROFINET environment

Safety category/guard locking

	Suitable up to category 4 or Performance Level e in accordance with EN ISO 13849-1
	Guard locking for personnel protection
	Guard locking for process protection

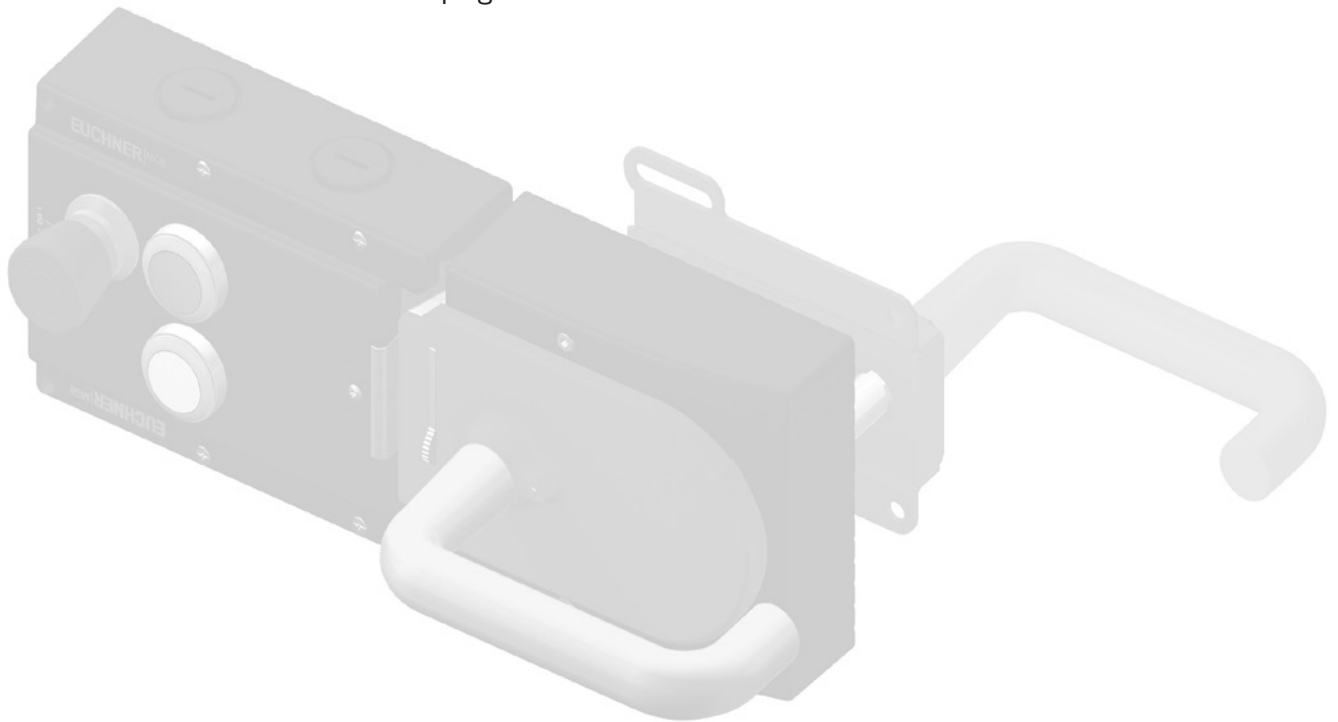
Controls and indicators

	Emergency stop according to ISO 13850
	Illuminated emergency stop
	Emergency stop with monitoring contact

	Machine stop (black-silver)
	Machine stop (black-silver) with monitoring contact
	Illuminated pushbutton
	Pushbutton not illuminated
	LED
	Selector switch form V
	Selector switch form V illuminated
	Key-operated selector switch form V
	Key-operated selector switch form L
	Pushbutton labeling "Unlocked"
	Pushbutton labeling "Locked"
	Other possible button labels

Complete sets system families MGB-AP/MGB-AR

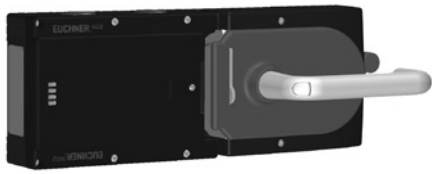
- ▶ Interlocking or guard locking with handle module
- ▶ With escape release
- ▶ With pushbuttons and emergency stop
- ▶ With plug connectors



MGB-AP
MGB-AR

Interlocking sets MGB-L0-... (without guard locking)	10 - 15
without controls and indicators	10
with 2 controls and indicators	12
with 3 controls and indicators	14
Locking sets MGB-L1-... (guard locking by spring force)	16 - 36
without controls and indicators	16
with 1 control and indicator	18
with 2 controls and indicators	20
with 3 controls and indicators	26
with 4 controls and indicators	34
Locking sets MGB-L2-... (guard locking by solenoid force)	38 - 49
without controls and indicators	38
with 2 controls and indicators	40
with 3 controls and indicators	44
with 4 controls and indicators	48
Technical data	50
Dimension drawings	51

Interlocking sets MGB-LO-... without controls or indicators


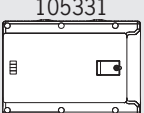


Further information

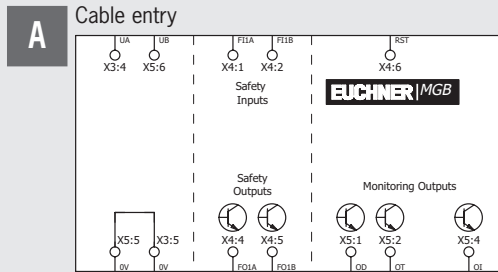
- ▶ Dimension drawings see p. 51
- ▶ Technical data see p. 50
- ▶ Accessories and spare parts see p. 63
- ▶ www.euchner.com

- ▶ Can be connected in series with other AR devices (e.g. CES-AR, CET-AR and CTP-AR)
- ▶ With cable entry

Ordering table

Modules in the set							Ordering data, set		
Version/configuration scheme Order no. separate module	Locking module				Wiring diagram	Handle module Order no. separate module	Escape release Order no. separate module	Door hinge (factory setting)	Order no./item
	S1 H1	S2 H2	S3 H3	S4 H4					
  105331	-	-	-	-	A	100464	-	Right	105778 MGB-LOH-AR-R-105778
	-	-	-	-			100465		105780 MGB-LOHE-ARR-105780

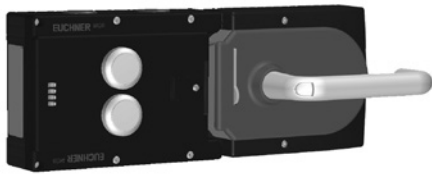
Block diagram



MGB-AP
MGB-AR

Interlocking sets MGB-LO-... with 2 controls or indicators

Cat. 4
PLe



Details

Lens set

The color of the pushbutton can be selected using the lens set 120344 included.

Further information

- ▶ Dimension drawings see p. 51
- ▶ Technical data see p. 50
- ▶ Accessories and spare parts see p. 63
- ▶ www.euchner.com

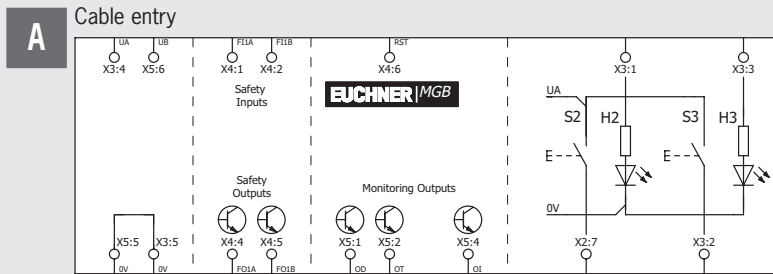
- ▶ Can be connected in series with other AR devices (e.g. CES-AR, CET-AR and CTP-AR)
- ▶ With cable entry
- ▶ Integrated controls and indicators

Ordering table for complete sets

Modules in the set								Ordering data, set		
Version/configuration scheme <small>Order no. separate module</small>	Locking module					Wiring diagram	Handle module <small>Order no. separate module</small>	Escape release <small>Order no. separate module</small>	Door hinge <small>(factory setting)</small>	Order no./item
	S1 H1	S2 H2	S3 H3	S4 H4						
 121058	-	 *)	 *)	-		100464	-	Right	121059 MGB-LOH-ARA-R-121059	

* The color can be selected using the lens set included.

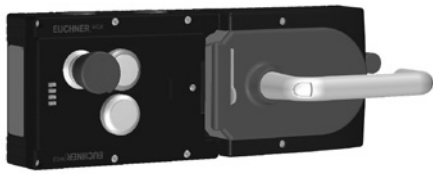
Block diagram and wiring diagram for controls and indicators



MGB-AP
MGB-AR

Interlocking sets MGB-LO-... with 3 controls or indicators

Cat. 4
PLe



- ▶ Can be connected in series with other AR devices (e.g. CES-AR, CET-AR and CTP-AR)
- ▶ With cable entry or plug connector
- ▶ Integrated controls and indicators

Details

Emergency stop with monitoring contact

Additional normally open contact in the emergency stop, e.g. as monitoring contact for the control system.

Lens set

The color of the pushbutton can be selected using the lens set 120344 included.

Adhesive labels

Devices with adhesive labels have pre-formed recesses. The adhesive labels enclosed (standard size 12.5 x 27 mm) can be affixed in these recesses.

Further information

- ▶ Dimension drawings see p. 51
- ▶ Technical data see p. 50
- ▶ Accessories and spare parts see p. 63
- ▶ www.euchner.com

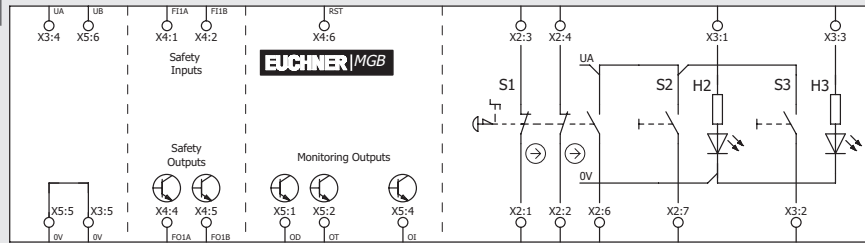
Ordering table

Modules in the set							Ordering data, set		
Version/configuration scheme Order no. separate module	Locking module					Handle module Order no. separate module	Escape release Order no. separate module	Door hinge (factory setting)	Order no./item
	S1 H1	S2 H2	S3 H3	S4 H4	Wiring diagram				
121232 						100465		Right	121233 MGB-LOHE-ARA-R-121233
121253 Incl. adhesive labels		*)	*)	-	A	100464		Right	121254 MGB-LOH-ARA-R-121254
 121259 Incl. adhesive labels						106619		Left	121260 MGB-LOH-ARA-L-121260
116300 Incl. adhesive labels				-	B	111157		Right	110691 MGB-LOHE-ARA-R-110691
116302 Incl. adhesive labels		ye	wh	-		111158		Left	110692 MGB-LOHE-ARA-L-110692

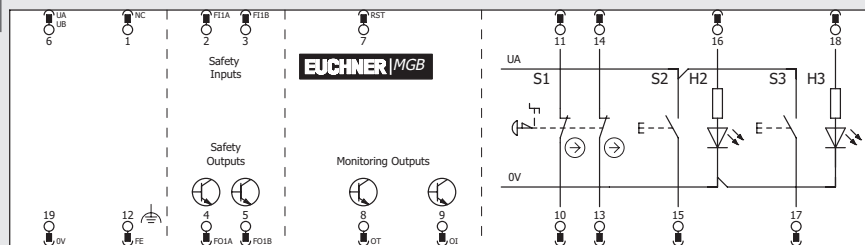
* The color can be selected using the lens set included.

Block diagram and wiring diagrams for controls and indicators

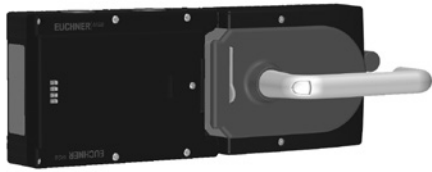
A Cable entry



B Plug connector M23



Locking sets MGB-L1-... (guard locking by spring force) without control or indicator



Further information

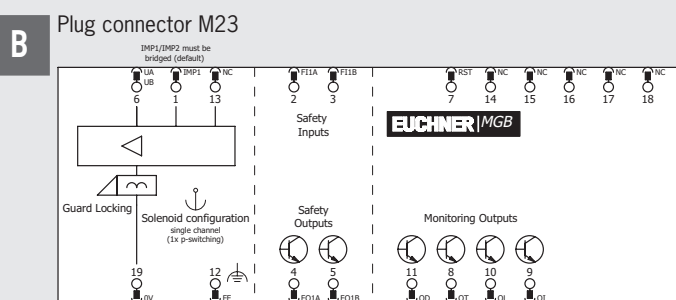
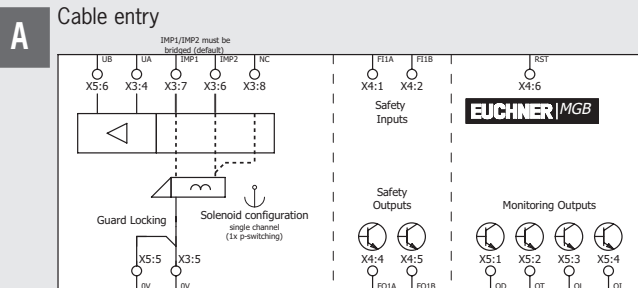
- ▶ Dimension drawings see p. 51
- ▶ Technical data see p. 50
- ▶ Accessories and spare parts see p. 63
- ▶ www.euchner.com

- ▶ Can be connected in series with other AR devices (e.g. CES-AR, CET-AR and CTP-AR)
- ▶ With cable entry or plug connector

Ordering table

Modules in the set							Ordering data, set			
Version/configuration scheme <small>Order no. separate module</small>	Locking module					Wiring diagram	Handle module <small>Order no. separate module</small>	Escape release <small>Order no. separate module</small>	Door hinge <small>(factory setting)</small>	Order no./item
	S1 H1	S2 H2	S3 H3	S4 H4						
<div style="text-align: center;"> 104302 </div>					A		100465	Right	105784 MGB-L1HE-AR-R-105784	
						100464			105782 MGB-L1H-AR-R-105782	
		-	-	-	-			-	111070 MGB-L1H-AR-R-111070	
						B	106619	Left	111073 MGB-L1H-AR-L-111073	

Block diagram



MGB-AP

MGB-AR

Locking sets MGB-L1-... (guard locking by spring force) with one control or indicator



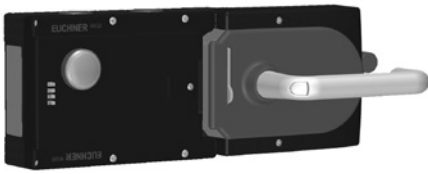
Details

Lens set

The color of the pushbuttons can be selected using the lens set 120344 included.

Further information

- ▶ Dimension drawings see p. 51
- ▶ Technical data see p. 50
- ▶ Accessories and spare parts see p. 63
- ▶ www.euchner.com



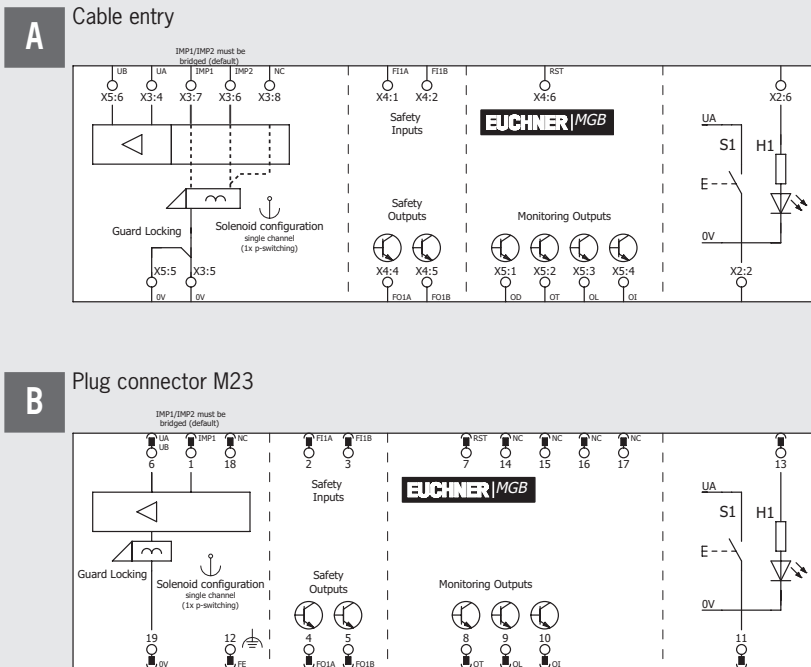
- ▶ Can be connected in series with other AR devices (e.g. CES-AR, CET-AR and CTP-AR)
- ▶ With cable entry or plug connector
- ▶ Integrated control and indicator

Ordering table

Modules in the set							Ordering data, set		
Version/configuration scheme Order no. separate module	Locking module				Wiring diagram	Handle module Order no. separate module	Escape release Order no. separate module	Door hinge (factory setting)	Order no./item
	S1 H1	S2 H2	S3 H3	S4 H4					
					A	100464	100465	Right	120991 MGB-L1HE-ARA-R-120991
		-	-	-					121035 MGB-L1HE-ARA-R-121035
					B	106619		Left	121040 MGB-L1HE-ARA-L-121040

* The color can be selected using the lens set included.

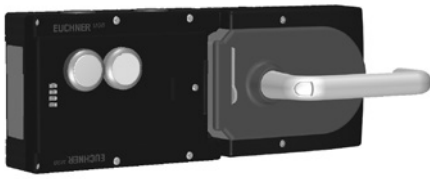
Block diagram and wiring diagrams for control and indicator



MGB-AP

MGB-AR

Locking sets MGB-L1-... (guard locking by spring force) with 2 controls or indicators



- ▶ Can be connected in series with other AR devices (e.g. CES-AR, CET-AR and CTP-AR)
- ▶ With cable entry or plug connector
- ▶ Integrated controls and indicators

Details

Emergency stop with monitoring contact
Additional normally open contact in the emergency stop, e.g. as monitoring contact for the control system.

Key-operated rotary switch

- ▶ **Form L**, 90° angle of rotation with 2 positions. The key latches in both positions and can be removed in both positions. Devices with key-operated switch form L have degree of protection IP 54.
- ▶ **Form V**, 40° angle of rotation with 2 positions. The key latches in position 0 and can be removed in position 0.

Lens set

The color of the pushbuttons can be selected using the lens set 120344 included.

Adhesive labels

Devices with adhesive labels have pre-formed recesses. The adhesive labels enclosed (standard size 12.5 x 27 mm) can be affixed in these recesses.

Further information

- ▶ Dimension drawings see p. 51
- ▶ Technical data see p. 50
- ▶ Accessories and spare parts see p. 63
- ▶ www.euchner.com

Ordering table

Modules in the set									Ordering data, set	
Version/configuration scheme Order no. separate module	Locking module					Wiring diagram	Handle module Order no. separate module	Escape release Order no. separate module	Door hinge (factory setting)	Order no./item
	S1 H1	S2 H2	S3 H3	S4 H4						
121130 			-	-	A	100464	100465	Right	121131 MGB-L1HE-ARA-R-121131	
121050 			-	-	B	100464	-	Right	121051 MGB-L1H-ARA-R-121051	
			-	-			100465		121052 MGB-L1HE-ARA-R-121052	
124691 IP 54			-	-	C	100464	-	Right	124098 MGB-L1H-ARA-R-124098	
124692 IP 54	Form L, 90°		-	-		106619	-	Left	124099 MGB-L1H-ARA-L-124099	

* The color can be selected using the lens set included.

(Continued on next page)

Ordering table (continued)

Modules in the set							Ordering data, set		
Version/configuration scheme Order no. separate module	Locking module					Handle module Order no. separate module	Escape release Order no. separate module	Door hinge (factory setting)	Order no./item
	S1 H1	S2 H2	S3 H3	S4 H4	Wiring diagram				
119806 IP 54			-	-		114655	100465	Right	119807 MGB-L1HE-ARA-R-119807
119808 IP 54						114656		Left	119809 MGB-L1HE-ARA-L-119809
121060 	-		-	-	-	100464	100465	Right	121061 MGB-L1H-ARA-R-121061
121086 Incl. adhesive labels									121062 MGB-L1HE-ARA-R-121062
									121087 MGB-L1HE-ARA-R-121087 (with lens set 120378)
									121170 MGB-L1H-ARA-R-121170
121088 Incl. adhesive labels									121171 MGB-L1H-ARA-L-121171
121067 									121089 MGB-L1HE-ARA-L-121089 (with lens set 120378)
	121069 MGB-L1HE-ARA-L-121069								
	121068 MGB-L1H-ARA-R-121068								

* The color can be selected using the lens set included.


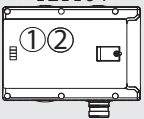


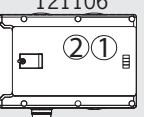


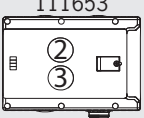


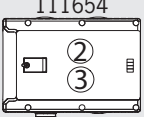
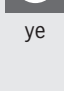
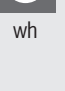
(Continued on next page)

MGB-AP
MGB-AR

Locking sets MGB-L1-... (guard locking by spring force) with 2 controls or indicators



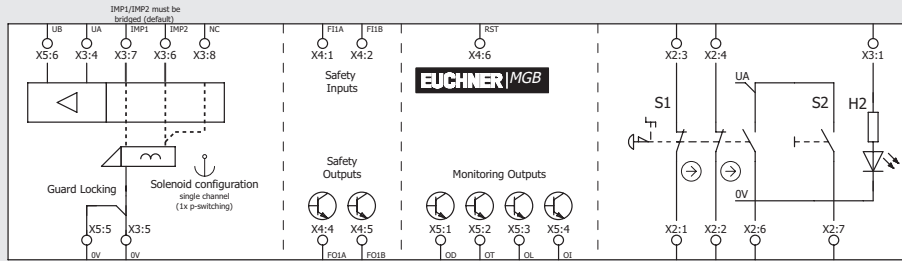
Ordering table (continued)

Modules in the set							Ordering data, set			
Version/configuration scheme <small>Order no. separate module</small>	Locking module					Handle module <small>Order no. separate module</small>	Escape release <small>Order no. separate module</small>	Door hinge <small>(factory setting)</small>	Order no./item	
	S1 H1	S2 H2	S3 H3	S4 H4	Wiring diagram					
	121104  Incl. adhesive labels			-	-	F	100464	-	Right	121105 MGB-L1H-ARA-R-121105
	121106  Incl. adhesive labels	 *)	 *)	-	-	F	106619	-	Left	121107 MGB-L1H-ARA-L-121107
	111653  Incl. adhesive labels	-			-	G	100464	-	Right	111655 MGB-L1H-ARA-R-111655
	111654  Incl. adhesive labels	-	 ye	 wh	-	G	106619	-	Left	111656 MGB-L1H-ARA-L-111656

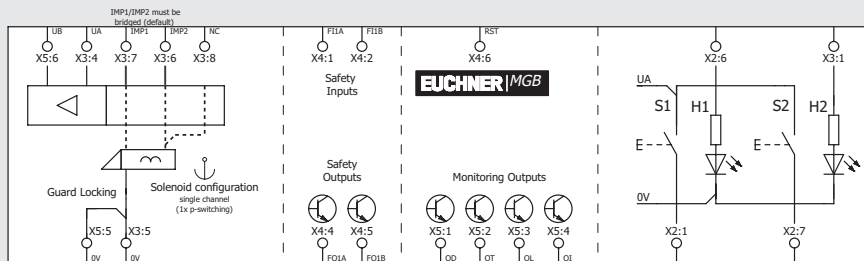
* The color can be selected using the lens set included.

Block diagram and wiring diagrams for controls and indicators

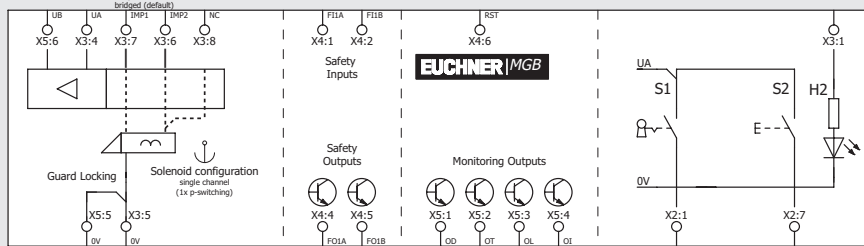
A Cable entry



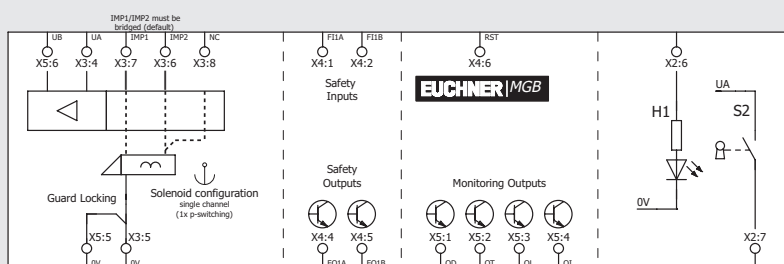
B Cable entry



C Cable entry



D Cable entry



MGB-AP

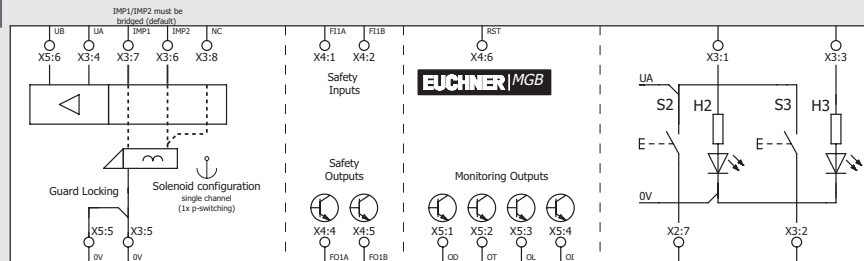
MGB-AR

Locking sets MGB-L1-... (guard locking by spring force) with 2 controls or indicators

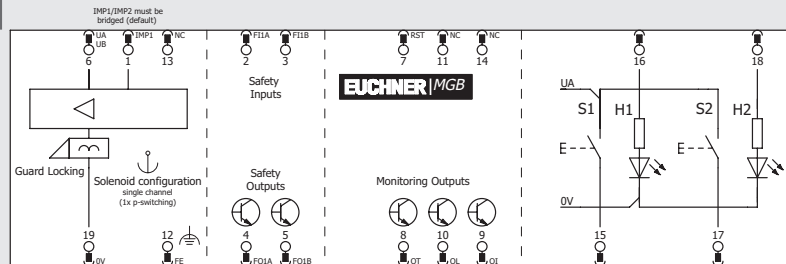


Block diagram and wiring diagrams for controls and indicators

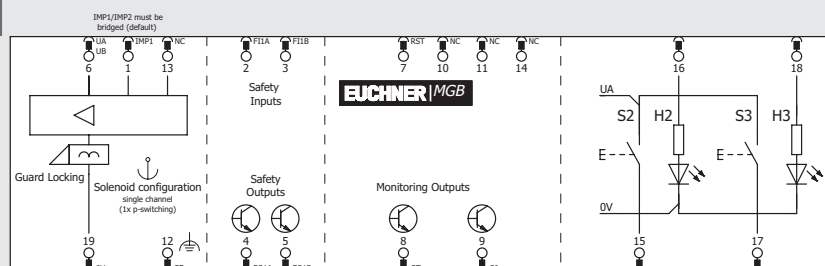
E Cable entry



F Plug connector M23



G Plug connector M23

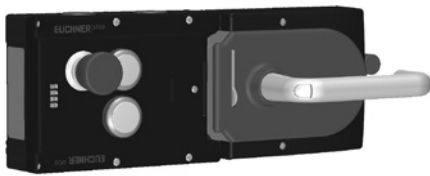
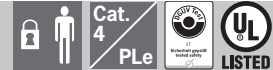




MGB-AP

MGB-AR

Locking sets MGB-L1-... (guard locking by spring force) with 3 controls or indicators



- ▶ Can be connected in series with other AR devices (e.g. CES-AR, CET-AR and CTP-AR)
- ▶ With cable entry or plug connector
- ▶ Integrated controls and indicators

Details

Release monitoring activated

When release monitoring is active, the system enters into a latching fault when the escape release or auxiliary release is actuated.

Emergency stop with monitoring contact

Additional normally open contact in the emergency stop, e.g. as monitoring contact for the control system.

Connection for enabling switch

The devices have an M12 plug connector for the direct connection of an enabling switch (e.g. ZSA, order no. 110560).

Lens set

The color of the pushbuttons can be selected using the lens set 120344 included.

Adhesive labels

Devices with adhesive labels have pre-formed recesses. The adhesive labels enclosed (standard size 12.5 x 27 mm) can be affixed in these recesses.

Selector switch

Selector switch with 2 positions (form V, 90°). The switch latches in both positions.

Machine stop

Version as emergency stop but in gray/yellow, e.g. as machine stop.

Important: Do not use as emergency stop!

Further information

- ▶ Dimension drawings see p. 51
- ▶ Technical data see p. 50
- ▶ Accessories and spare parts see p. 63
- ▶ www.euchner.com

Ordering table

Modules in the set							Ordering data, set		
Version/configuration scheme Order no. separate module	Locking module				Wiring diagram	Handle module Order no. separate module	Escape release Order no. separate module	Door hinge (factory setting)	Order no./item
	S1 H1	S2 H2	S3 H3	S4 H4					
AP	115224 				A	100464	-	Right	115178 MGB-L1H-APA-R-115178
	115225 		wh	wh					
	110585 	-			B	100464	-	Right	110587 MGB-L1H-APAR-110587
	110586 	-	wh	ye					

(Continued on next page)

Ordering table (continued)

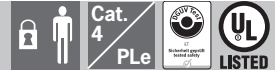
		Modules in the set					Ordering data, set			
										Order no./item
Version/configuration scheme <small>Order no. separate module</small>		S1 H1	S2 H2	S3 H3	S4 H4	Wiring diagram	Handle module <small>Order no. separate module</small>	Escape release <small>Order no. separate module</small>		
	115894 				-	C	111157	-	Right	115895 MGB-L1H-APA-R-115895
	115896 						111158		Left	115897 MGB-L1H-APAL-115897
	114235 Plug connector M12 for enabling switch	-				D	111157	-	Right	114236 MGB-L1H-APA-R-114236
	114237 Plug connector M12 for enabling switch						111158		Left	114238 MGB-L1H-APAL-114238
	110219 				-	E	100464	-	Right	105783 MGB-L1H-AR-R-105783
	121255 Incl. adhesive labels						100465		Right	110220 MGB-L1HE-AR-R-110220
	121234 				-	E	100464	-	Right	121256 MGB-L1H-ARA-R-121256
	121234 						100465		Right	121236 MGB-L1HE-ARA-R-121236

* The color can be selected using the lens set included.

(Continued on next page)

MGB-AP
MGB-AR

Locking sets MGB-L1-... (guard locking by spring force) with 3 controls or indicators



Ordering table (continued)

Modules in the set							Ordering data, set		
Version/configuration scheme Order no. separate module	Locking module				Wiring diagram	Handle module Order no. separate module	Escape release Order no. separate module	Door hinge (factory setting)	Order no./item
	S1 H1	S2 H2	S3 H3	S4 H4					
121261 Incl. adhesive labels				-	E	106619	-	Left	121262 MGB-L1H-ARA-L-121262
121241 Incl. adhesive labels		*)	*)	-	E	106619	100465	Left	121243 MGB-L1H-ARA-L-121243
109314 Incl. adhesive labels		wh	0 1 Form V 90°	-	F	100464	100465	Right	109313 MGB-L1HE-ARR-109313
 121411 Incl. adhesive labels				-	E	100464	-	Right	121412 MGB-L1H-ARA-R-121412
121413 Incl. adhesive labels		*)	*)	-	E	106619	-	Left	121414 MGB-L1H-ARA-L-121414
117310 Incl. adhesive labels				-	G	111157	-	Right	117314 MGB-L1H-ARA-R-117314
117312 Incl. adhesive labels		ye	wh	-	G	111158	-	Left	117316 MGB-L1H-ARA-L-117316

* The color can be selected using the lens set included.

(Continued on next page)

Ordering table (continued)

Modules in the set							Ordering data, set		
Version/configuration scheme <small>Order no. separate module</small>	Locking module					Handle module <small>Order no. separate module</small>	Escape release <small>Order no. separate module</small>	Door hinge <small>(factory setting)</small>	Order no./item
	S1 H1	S2 H2	S3 H3	S4 H4	Wiring diagram				
 121215 Incl. adhesive labels		*)	*)	-		100464	100465	Right	121216 MGB-L1HE-ARA-R-121216
						106619		Left	121218 MGB-L1HE-ARA-L-121218
 110792 Incl. adhesive labels		*)	*)	-		100464	-	Right	110613 MGB-L1H-ARA-R-110613
						106619		Left	110614 MGB-L1H-ARA-L-110614
 116301 Release monitoring activated, incl. adhesive labels		ye	wh	-		111157	100465	Right	110689 MGB-L1HE-ARA-R-110689
						111158		Left	110690 MGB-L1HE-ARA-L-110690

AR

* The color can be selected using the lens set included.

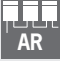
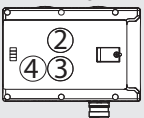




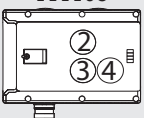
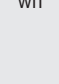
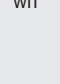
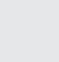
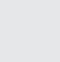
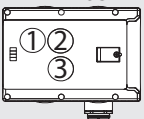




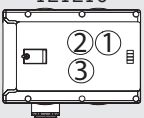
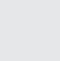
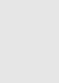
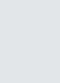
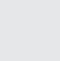
(Continued on next page)

MGB-AP
MGB-AR

Locking sets MGB-L1-... (guard locking by spring force) with 3 controls or indicators



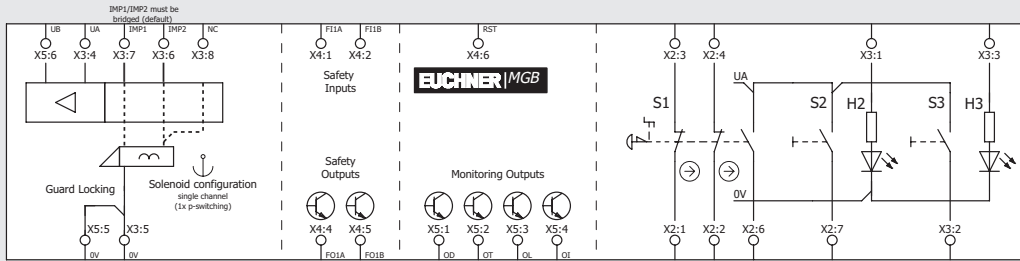
Ordering table (continued)

Modules in the set							Ordering data, set			
Version/configuration scheme Order no. separate module	Locking module					Handle module Order no. separate module	Escape release Order no. separate module	Door hinge (factory setting)	Order no./item	
	S1 H1	S2 H2	S3 H3	S4 H4	Wiring diagram					
	111101  Incl. adhesive labels	-	 wh	 wh	 STOP	 H	111739	-	Right	111020 MGB-L1H-ARAR-111020
	111103  Incl. adhesive labels	-	 wh	 wh	 STOP	 H	111741	-	Left	111022 MGB-L1H-ARAL-111022
	121208  Incl. adhesive labels	 STOP	 *)	 *)	-	 I	100464	-	Right	121209 MGB-L1H-ARAR-121209
	121210  Incl. adhesive labels	 STOP	 *)	 *)	-	 I	106619	-	Left	121211 MGB-L1H-ARAL-121211

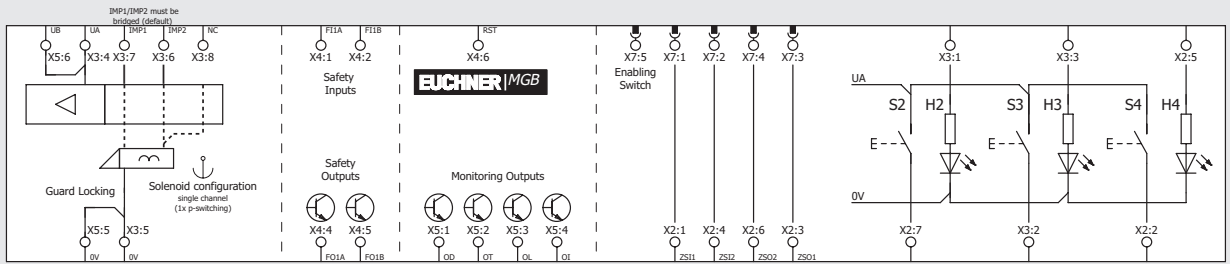
* The color can be selected using the lens set included.

Block diagram and wiring diagram for controls and indicators

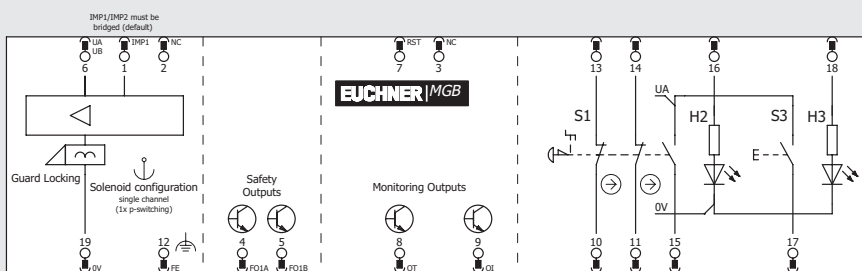
A Cable entry



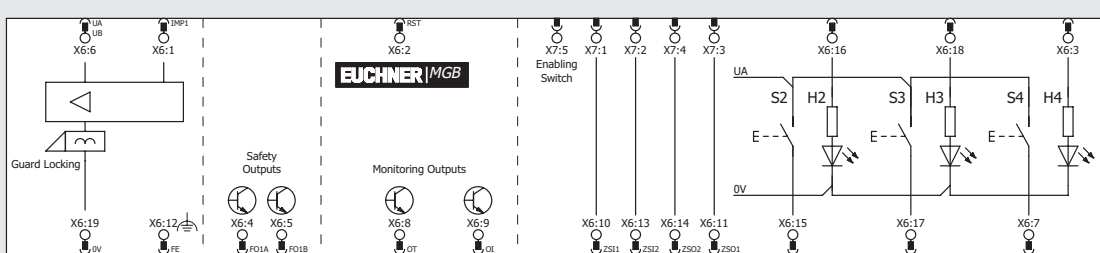
B Cable entry



C Plug connector M23



D Plug connector M23

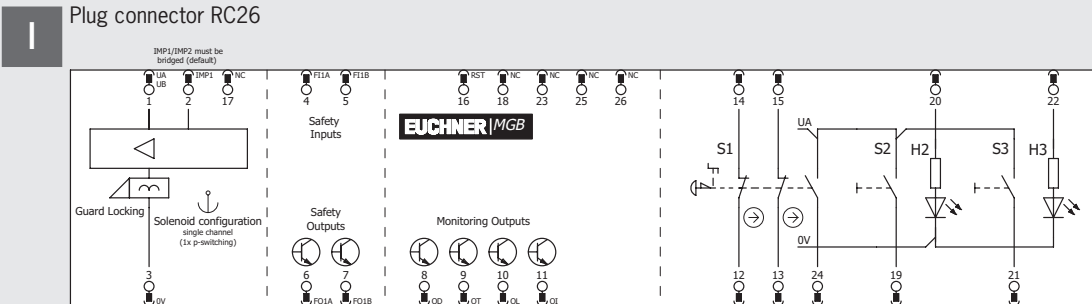
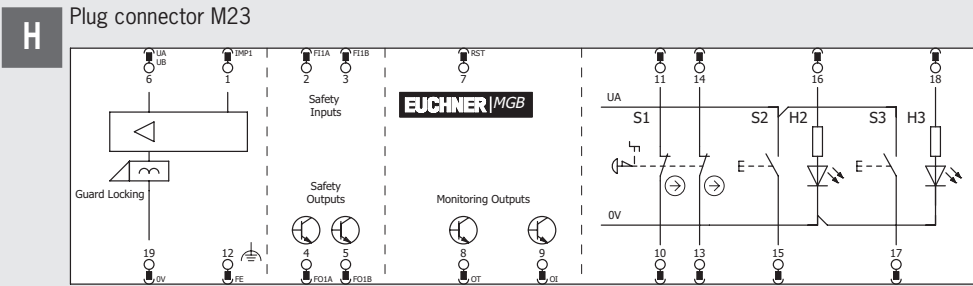
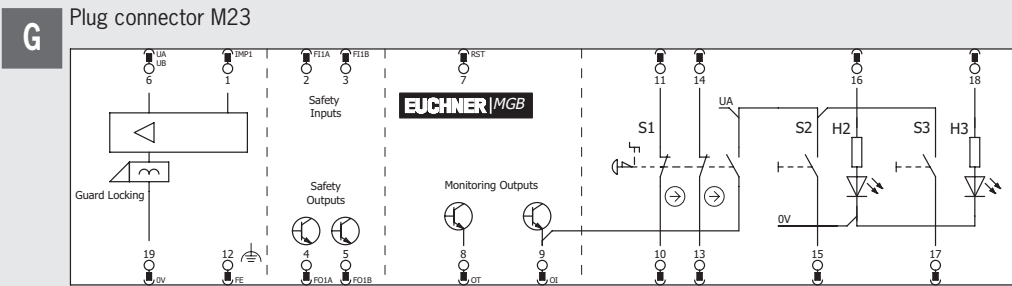
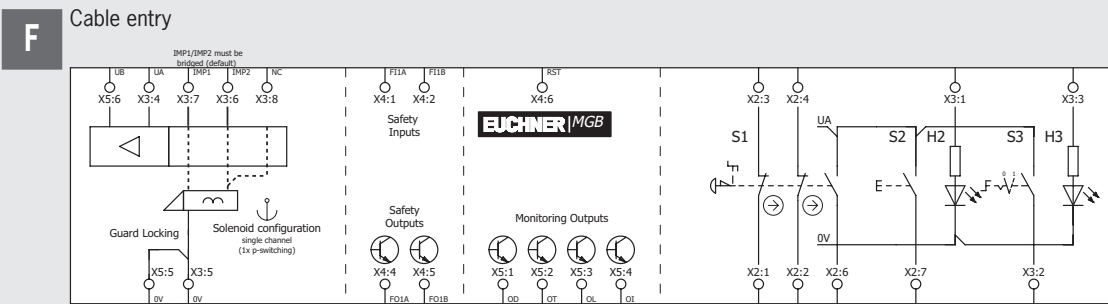
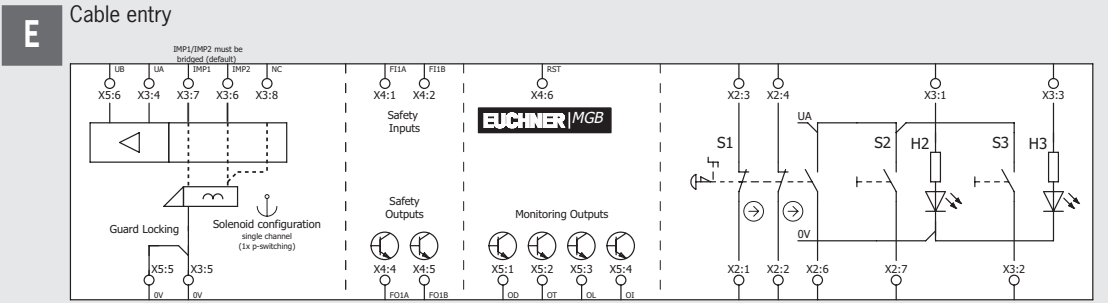


(Continued on next page)

Locking sets MGB-L1-... (guard locking by spring force) with 3 controls or indicators



Block diagram and wiring diagrams for controls and indicators (continued)

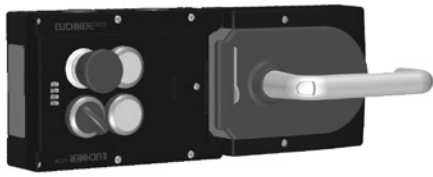




MGB-AP

MGB-AR

Locking sets MGB-L1-... (guard locking by spring force) with 4 controls or indicators



Details

Release monitoring activated

When release monitoring is active, the system enters into a latching fault when the escape release or auxiliary release is actuated.

Emergency stop with monitoring contact

Additional normally open contact in the emergency stop, e.g. as monitoring contact for the control system.

Lens set

The color of the pushbuttons can be selected using the lens set 120344 included.

Selector switch, illuminated


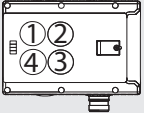






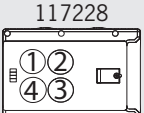





Selector switch with 2 positions (form V, 90°). The switch latches in both positions.

Further information

- ▶ Dimension drawings see p. 51
- ▶ Technical data see p. 50
- ▶ Accessories and spare parts see p. 63
- ▶ www.euchner.com

- ▶ Can be connected in series with other AR devices (e.g. CES-AR, CET-AR and CTP-AR)
- ▶ With cable entry or plug connector
- ▶ Integrated controls and indicators

Ordering table

Modules in the set							Ordering data, set		
Version/configuration scheme Order no. separate module	Locking module				Wiring diagram	Handle module Order no. separate module	Escape release Order no. separate module	Door hinge (factory setting)	Order no./item
	S1 H1	S2 H2	S3 H3	S4 H4					
 121812  Release monitoring activated, incl. adhesive labels		 wh	 rd	 gn		111838	106051	Right	121813 MGB-L1HE-APA-R-121813 (Modules pre-assembled on mounting plates)
						111839		Left	
 117228  Release monitoring activated, incl. adhesive labels		 gn	 wh	 bu		100464	-	Right	117229 MGB-L1H-ARAR-117229
						106619		Left	

* The color can be selected using the lens set included.

(Continued on next page)

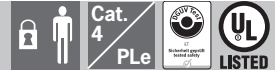
Ordering table (continued)

Modules in the set							Ordering data, set		
Version/configuration scheme Order no. separate module	Locking module				Wiring diagram	Handle module Order no. separate module	Escape release Order no. separate module	Door hinge (factory setting)	Order no./item
	S1 H1	S2 H2	S3 H3	S4 H4					
 121404					C	100464	-	Right	121405 MGB-L1H-ARA-R-121405
		*)	*)	Form V 90°					
 121406					D	106619	-	Left	121407 MGB-L1H-ARA-L-121407
 119923					D	100464	-	Right	119924 MGB-L1H-ARA-R-119924
		gn	wh	bu					
 119925					D	106619	-	Left	119926 MGB-L1H-ARA-L-119926

* The color can be selected using the lens set included.

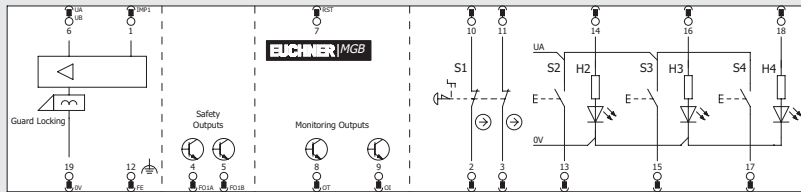
MGB-AP
MGB-AR

Locking sets MGB-L1-... (guard locking by spring force) with 4 controls or indicators

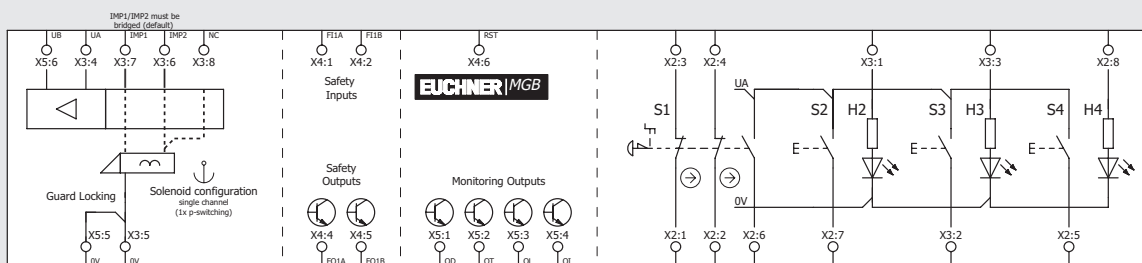


Block diagram and wiring diagrams for controls and indicators

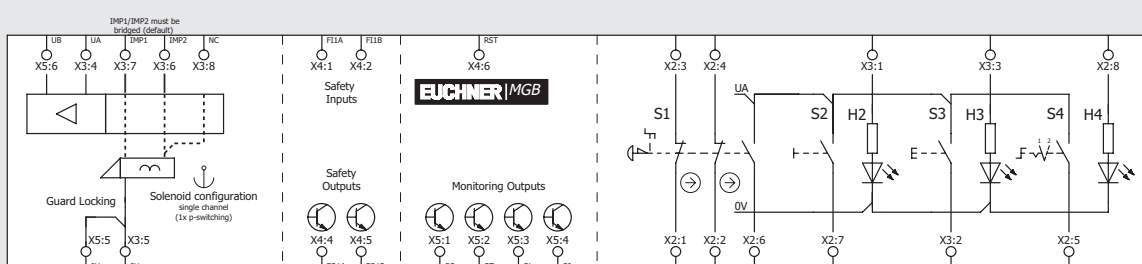
A Plug connector M23



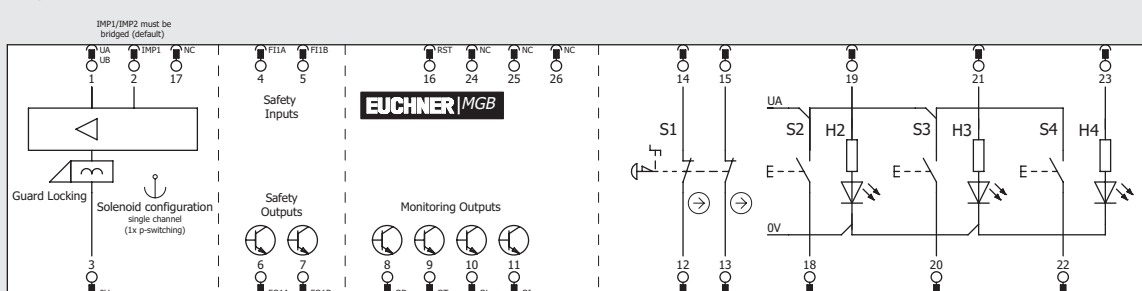
B Cable entry



C Cable entry



D Plug connector RC26

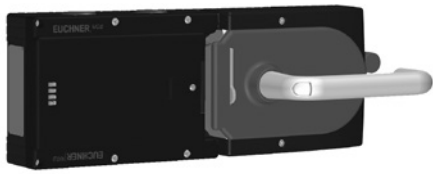
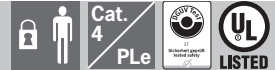




MGB-AP

MGB-AR

Locking sets MGB-L2-... (guard locking by solenoid force) without control or indicator


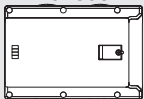
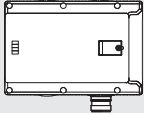
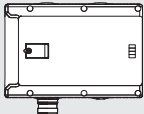


Further information

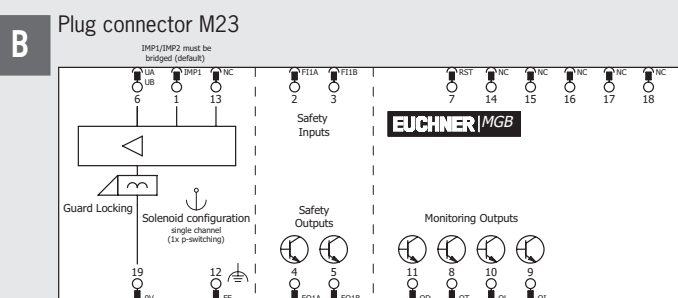
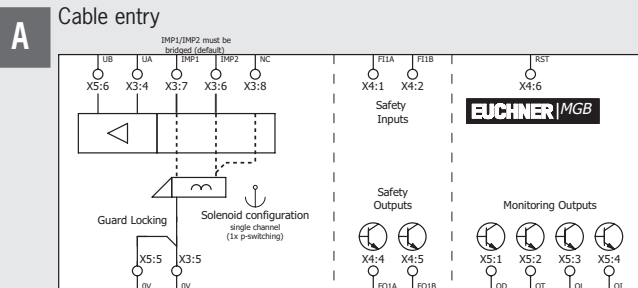
- ▶ Dimension drawings see p. 51
- ▶ Technical data see p. 50
- ▶ Accessories and spare parts see p. 63
- ▶ www.euchner.com

- ▶ Can be connected in series with other AR devices (e.g. CES-AR, CET-AR and CTP-AR)
- ▶ With cable entry or plug connector

Ordering table

Modules in the set							Ordering data, set			
Version/configuration scheme <small>Order no. separate module</small>	Locking module					Wiring diagram	Handle module <small>Order no. separate module</small>	Escape release <small>Order no. separate module</small>	Door hinge <small>(factory setting)</small>	Order no./item
	S1 H1	S2 H2	S3 H3	S4 H4						
  104303					A		100465	Right	105788 MGB-L2HE-AR-R-105788	
						100464			105786 MGB-L2H-AR-R-105786	
						B				109780 MGB-L2H-AR-R-109780
 109776								Left	109781 MGB-L2H-AR-L-109781	
 109777						106619				

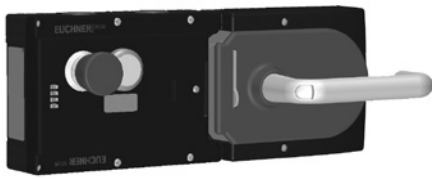
Block diagram



MGB-AP

MGB-AR

Locking sets MGB-L2-... (guard locking by solenoid force) with 2 controls or indicators



Details

Guard lock monitoring switched off

As the default setting on delivery, the guard lock monitoring is switched off via the internal DIP switches with these evaluation modules. Consequently, the guard locking is suitable only for process protection. Safety outputs FO1A and FO1B do not depend on the state of guard locking.

Notice: Devices affected are marked with this symbol.

Emergency stop with monitoring contact

Additional normally open contact in the emergency stop, e.g. as monitoring contact for the control system.

Lens set

The color of the pushbuttons can be selected using the lens set 120344 included.

Adhesive labels

Devices with adhesive labels have pre-formed recesses. The adhesive labels enclosed (standard size 12.5 x 27 mm) can be affixed in these recesses.

Further information

- ▶ Dimension drawings see p. 51
- ▶ Technical data see p. 50
- ▶ Accessories and spare parts see p. 63
- ▶ www.euchner.com

- ▶ Can be connected in series with other AR devices (e.g. CES-AR, CET-AR and CTP-AR)
- ▶ With cable entry or plug connector
- ▶ Integrated controls and indicators


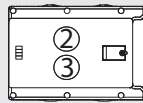
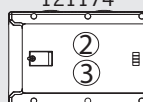
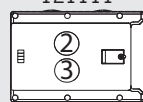


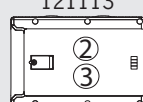
Ordering table

Modules in the set									Ordering data, set	
Version/configuration scheme Order no. separate module	Locking module					Wiring diagram	Handle module Order no. separate module	Escape release Order no. separate module	Door hinge (factory setting)	Order no./item
	S1 H1	S2 H2	S3 H3	S4 H4						
 121024 Guard lock monitoring switched off, incl. adhesive label						A	100464		Right	121025 MGB-L2H-ARA-R-121025
	 121028 Guard lock monitoring switched off, incl. adhesive label		*)	-	-			106619		
 121064 Guard lock monitoring switched off, incl. adhesive label					B	100464	-	Right	121065 MGB-L2H-ARA-R-121065	
			*)	*)					100465	121066 MGB-L2HE-ARA-R-121066
121070 					B	106619	-	Left	121071 MGB-L2H-ARA-L-121071	
			*)	*)					100465	121072 MGB-L2HE-ARA-L-121072

* The color can be selected using the lens set included.

(Continued on next page)

Ordering table (continued)

Modules in the set							Ordering data, set			
Version/configuration scheme <small>Order no. separate module</small>	Locking module				Wiring diagram	Handle module <small>Order no. separate module</small>	Escape release <small>Order no. separate module</small>	Door hinge <small>(factory setting)</small>	Order no./item	
	S1 H1	S2 H2	S3 H3	S4 H4						
	 121172 Incl. adhesive labels					100464		Right	121173 MGB-L2H-ARA-R-121173	
	 121174 Incl. adhesive labels				B	106619		Left	121175 MGB-L2H-ARA-L-121175	
	 121111 Incl. adhesive labels	-	 *)	 *)	-	C	100464		Right	121112 MGB-L2H-ARA-R-121112
	 121113 Incl. adhesive labels						106619		Left	121114 MGB-L2H-ARA-L-121114

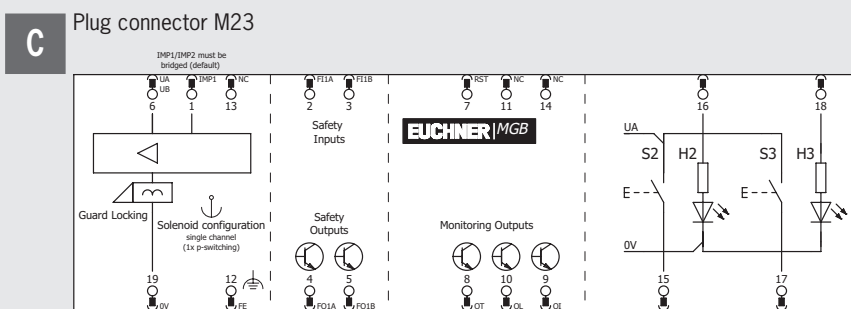
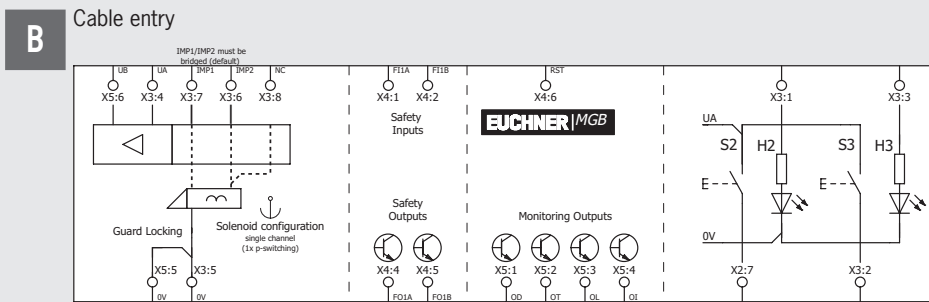
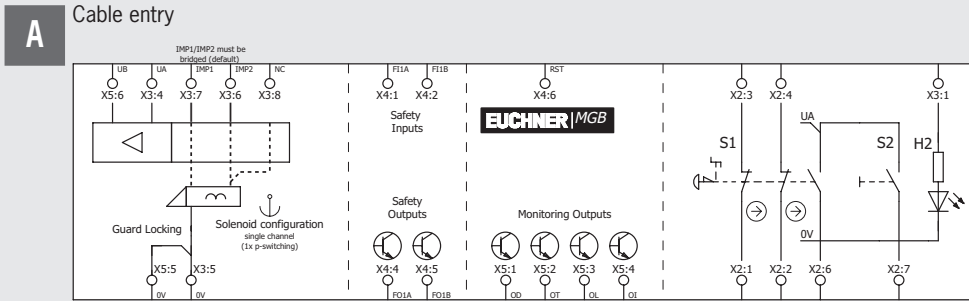
* The color can be selected using the lens set included.

MGB-AP
MGB-AR

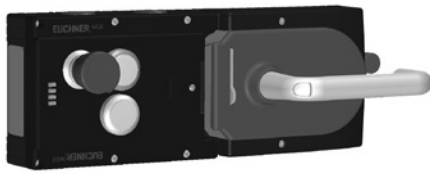
Locking sets MGB-L2-... (guard locking by solenoid force) with 2 controls or indicators



Block diagram and wiring diagrams for controls and indicators



Locking sets MGB-L2-... (guard locking by solenoid force) with 3 controls or indicators



- ▶ Can be connected in series with other AR devices (e.g. CES-AR, CET-AR and CTP-AR)
- ▶ With cable entry or plug connector
- ▶ Integrated controls and indicators

Details

Emergency stop with monitoring contact
Additional normally open contact in the emergency stop, e.g. as monitoring contact for the control system.

Connection for enabling switch
The devices have an M12 plug connector for the direct connection of an enabling switch (e.g. ZSA, order no. 110560).

Lens set
The color of the pushbuttons can be selected using the lens set 120344 included.

Adhesive labels
Devices with adhesive labels have pre-formed recesses. The adhesive labels enclosed (standard size 12.5 x 27 mm) can be affixed in these recesses.

Machine stop

Version as emergency stop but in gray/yellow, e.g. as machine stop.
Important: Do not use as emergency stop!

Further information

- ▶ Dimension drawings see p. 51
- ▶ Technical data see p. 50
- ▶ Accessories and spare parts see p. 63
- ▶ www.euchner.com

Ordering table

Modules in the set							Ordering data, set		
Version/configuration scheme Order no. separate module	Locking module					Handle module Order no. separate module	Escape release Order no. separate module	Door hinge (factory setting)	Order no./item
	S1 H1	S2 H2	S3 H3	S4 H4	Wiring diagram				
 110544 Plug connector M12 for enabling switch, incl. adhesive labels	-				A	100464	-	Right	110548 MGB-L2H-APA-R-110548
	110545 Plug connector M12 for enabling switch, incl. adhesive labels	-				A	106619	-	Left
 121237 121244 				-	B	100464	-	Right	121238 MGB-L2H-ARA-R-121238
						100465	-	Left	121239 MGB-L2HE-ARA-R-121239
				-	B	106619	-	Left	121245 MGB-L2H-ARA-L-121245
						100465	-	Left	121246 MGB-L2HE-ARA-L-121246

* The color can be selected using the lens set included.

(Continued on next page)

Ordering table (continued)

Modules in the set							Ordering data, set		
Version/configuration scheme <small>Order no. separate module</small>	Locking module				Wiring diagram	Handle module <small>Order no. separate module</small>	Escape release <small>Order no. separate module</small>	Door hinge <small>(factory setting)</small>	Order no./item
	S1 H1	S2 H2	S3 H3	S4 H4					
121257 Incl. adhesive labels				-	B	100464	-	Right	121258 MGB-L2H-ARA-R-121258
121263 Incl. adhesive labels		*)	*)	-		106619		Left	121264 MGB-L2H-ARA-L-121264
110708 Incl. adhesive labels				-	C	100464	-	Right	110615 MGB-L2H-ARA-R-110615
110709 Incl. adhesive labels		ye	wh	-		106619		Left	110616 MGB-L2H-ARA-L-110616
121190 Incl. adhesive labels				-	D	100464	100465	Right	121191 MGB-L2HE-ARA-R-121191
121194 Incl. adhesive labels		*)	*)	-		106619		Left	121195 MGB-L2HE-ARA-L-121195
111923 Incl. adhesive labels				-	E	100464	-	Right	111924 MGB-L2H-ARA-R-111924
111925 Incl. adhesive labels		gn	rd	-		106619		Left	111926 MGB-L2H-ARA-L-111926

* The color can be selected using the lens set included.

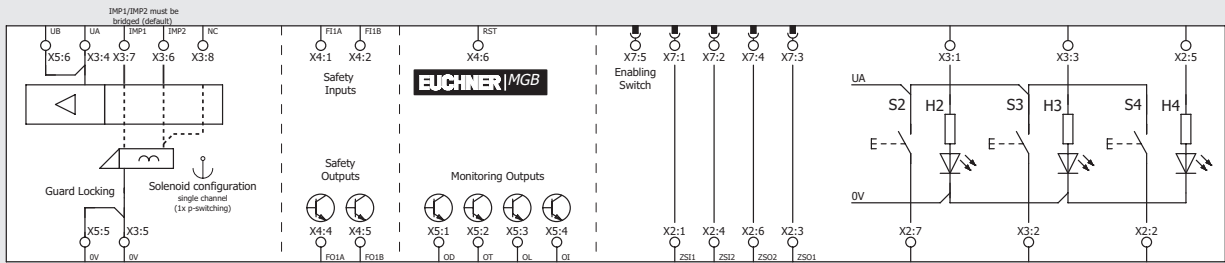
MGB-AP
MGB-AR

Locking sets MGB-L2-... (guard locking by solenoid force) with 3 controls or indicators

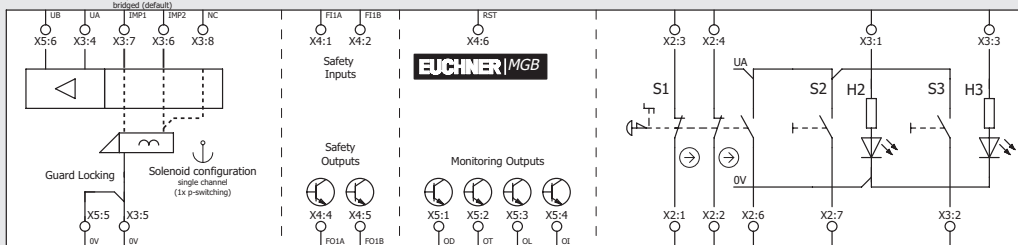


Block diagram and wiring diagrams for controls and indicators

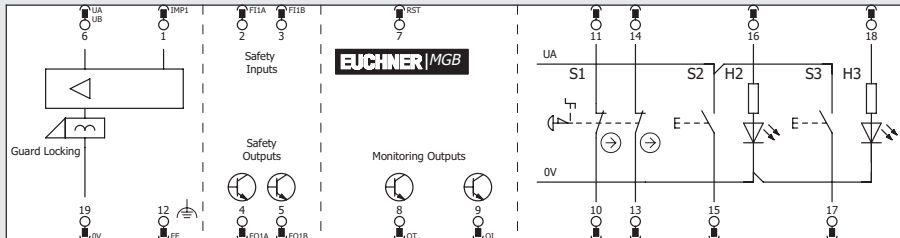
A Cable entry



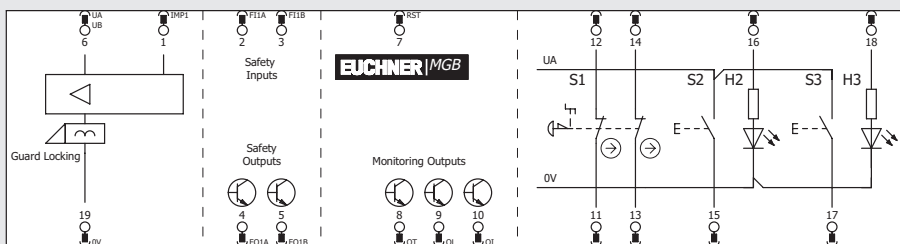
B Cable entry



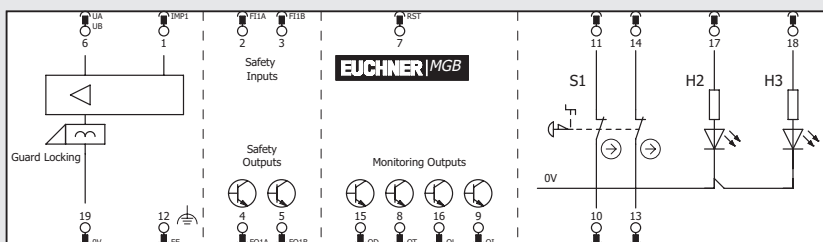
C Plug connector M23



D Plug connector M23



E Plug connector M23

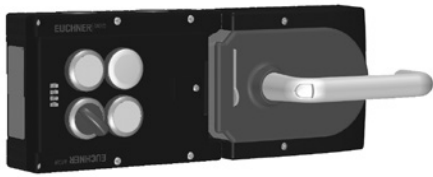




MGB-AP

MGB-AR

Locking sets MGB-L2-... (guard locking by solenoid force) with 4 controls or indicators



Details

Lens set

The color of the pushbuttons can be selected using the lens set 120344 included.

Adhesive labels

Devices with adhesive labels have pre-formed recesses. The adhesive labels enclosed (standard size 12.5 x 27 mm) can be affixed in these recesses.

Key-operated switch form V

Form V, 40° angle of rotation with 2 positions. The key latches in position 0 and can be removed in position 1.

Selector switch


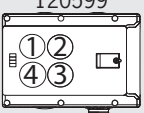






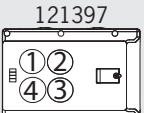





Selector switch with 2 positions (form V, 90°). The switch latches in both positions.

Further information

- ▶ Dimension drawings see p. 51
- ▶ Technical data see p. 50
- ▶ Accessories and spare parts see p. 63
- ▶ www.euchner.com

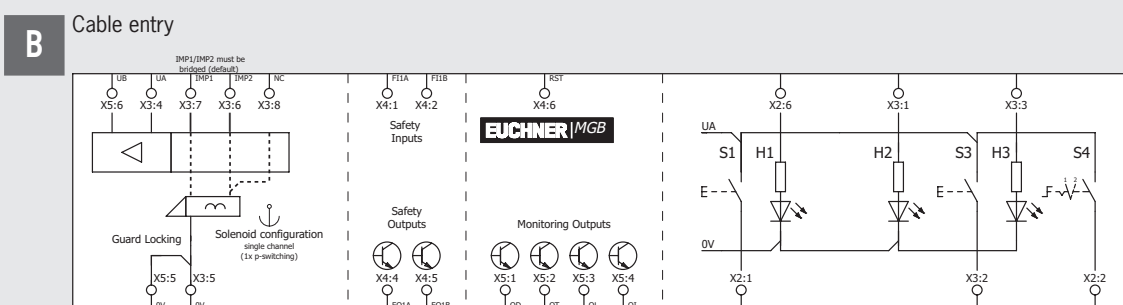
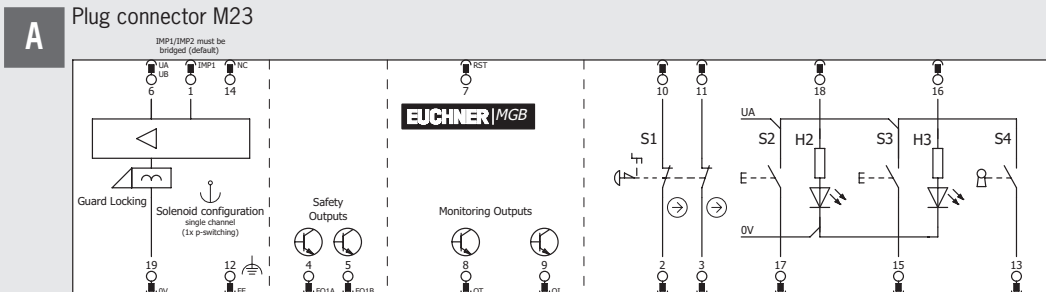
- ▶ Can be connected in series with other AR devices (e.g. CES-AR, CET-AR and CTP-AR)
- ▶ With cable entry or plug connector
- ▶ Integrated controls and indicators

Ordering table

Modules in the set							Ordering data, set		
Version/configuration scheme Order no. separate module	Locking module					Handle module Order no. separate module	Escape release Order no. separate module	Door hinge (factory setting)	Order no./item
	S1 H1	S2 H2	S3 H3	S4 H4	Wiring diagram				
 120599  Incl. adhesive labels IP 54		 *)	 *)	 Form V 40°		111157	100465	Right	120600 MGB-L2HE-APA-R-120600
						111158		Left	
 121397  Incl. adhesive labels IP 54	 *)	 ye	 *)	 Form V 90°		100464	-	Right	121398 MGB-L2H-ARA-R-121398
						106619		Left	

* The color can be selected using the lens set included.

Block diagram and wiring diagrams for controls and indicators



MGB-AP

MGB-AR

Technical data

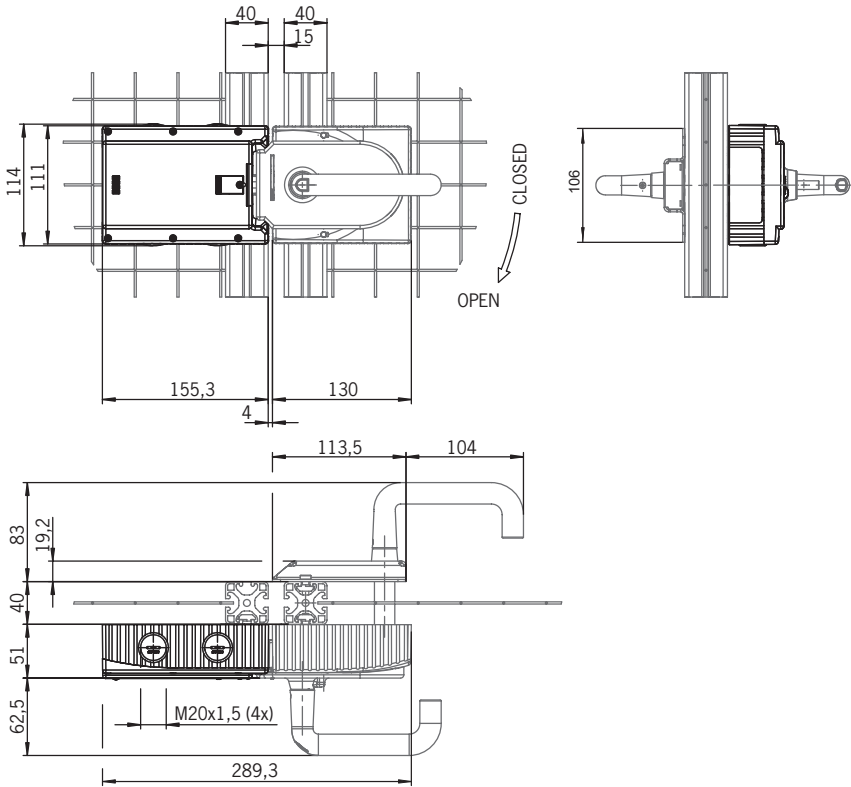
Parameter	Value	Unit
Housing material	Fiber glass reinforced plastic die-cast zinc, nickel-plated Stainless steel	
Dimensions	See dimension drawing	
Weight		
Locking module	0.75	kg
Handle module	1.00	
Escape release	0.50	
Ambient temperature at $U_B = DC 24 V$	-20 ... +55	°C
Degree of protection		
Cover not populated/populated with pushbuttons/ indicators	IP 65 IP 54	
Cover populated with key-operated switch		
Safety class	III	
Degree of contamination	3	
Installation position	Any	
Locking force F_{zh} in accordance with GS-ET-19	2000	N
Connection	4 cable entries M20x1.5 or plug connector	
Conductor cross-section (rigid/flexible)	0.13 ... 1.5 (AWG 24 ... AWG 16)	mm ²
- With ferrule according to DIN 46 228/1	0.25 ... 1.5	
- With ferrule with collar according to DIN 46228/1	0.25 ... 0.75	
Operating voltage U_B (reverse polarity protected, regulated, residual ripple < 5%)	24 +10% / -15% (PELV)	V DC
Auxiliary voltage U_A (reverse polarity protected, regulated, residual ripple < 5%)	24 +10% / -15% (PELV)	V DC
Current consumption I_{UB} (no load on any outputs)	80	mA
Current consumption I_{UA} - With energized guard locking solenoid and unloaded outputs OI, OL, OT and OD - Pushbutton S (unloaded, per LED)	350 5	mA
External fuse	See operating instructions	
Safety outputs FO1A/FO1B	Semiconductor outputs, p-switching, short circuit-proof	
Test duration after power on	AR < 1000 / AP < 300	µs
Output voltage $U_{FO1A} / U_{FO1B}^{1)}$		
HIGH U_{FO1A} / U_{FO1B}	$U_B - 2V \dots U_B$	V DC
LOW U_{FO1A} / U_{FO1B}	0 ... 1	
Switching current per safety output	1 ... 200	mA
Utilization category according to EN IEC 60947-5-2	DC-13 24 V 200 mA Caution: outputs must be protected with a free-wheeling diode in case of inductive loads.	
Monitoring outputs - Output voltage ¹⁾ - Max. load	p-switching, short circuit-proof $U_A - 2V \dots U_A$ Max. 50	mA
Rated insulation voltage U_i	30	V
Rated impulse withstand voltage U_{imp}	1.5	kV
Resilience to vibration	Acc. to EN IEC 60947-5-3	
Switching frequency	0.25	Hz
EMC protection requirements	Acc. to EN IEC 60947-5-3	
Reliability values acc. to EN ISO 13849-1		
Category	4	
Performance Level	PL e	
PFH_d	$3.1 \times 10^{-9} / h^{2)}$	
Mission time	20	years
Controls and indicators		
Operating voltage	5 ... 24	V
Operating current	1 ... 100	mA
Breaking capacity max.	250	mW
Power supply LED	24	V DC

1) Values at a switching current of 50 mA without taking into account the cable length.

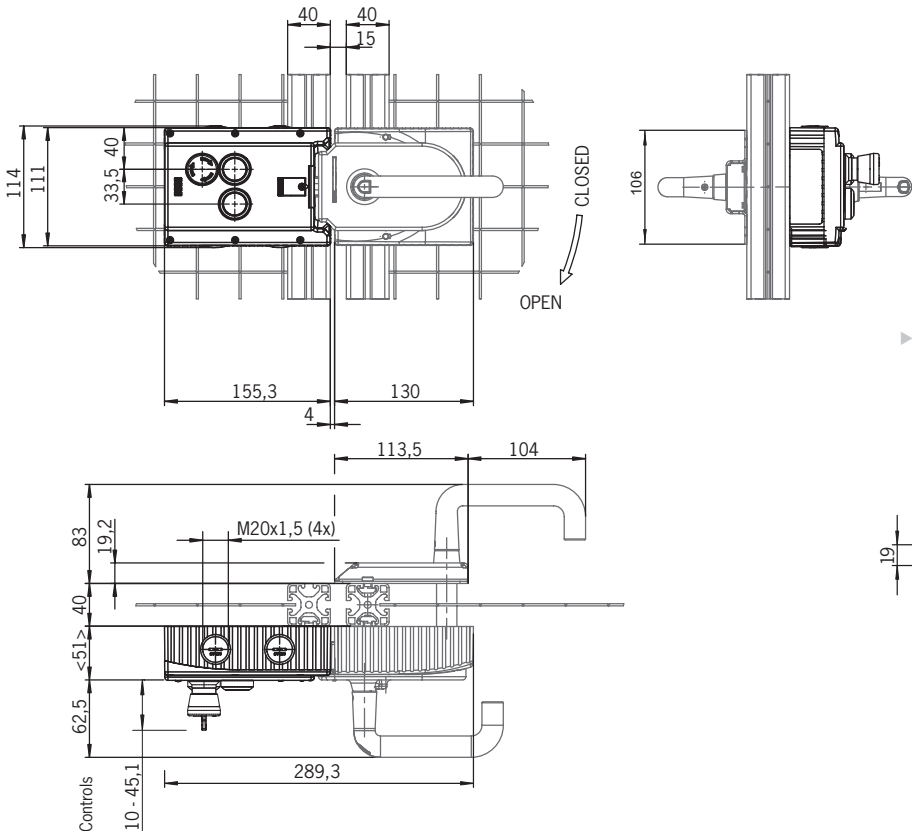
2) Applying the limit value from EN ISO 13849-1:2008, section 4.5.2 ($MTTF_d = \max. 100 \text{ years}$), the employers' liability insurance association certifies a PFH_d of max. 2.47×10^{-9} .

Dimension drawings

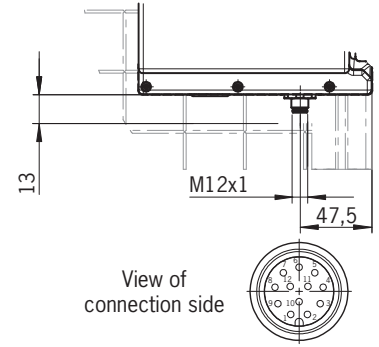
- ▶ MGB-... without additional controls and indicators



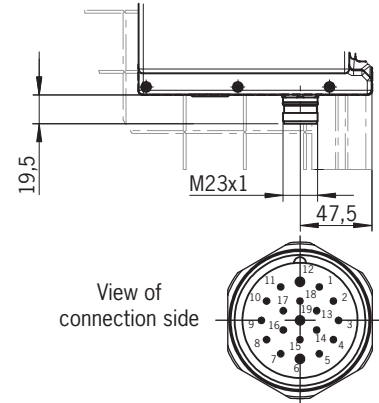
- ▶ MGB-... with additional controls and indicators



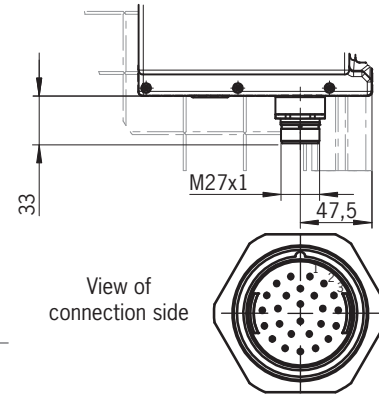
- ▶ Plug connector M12



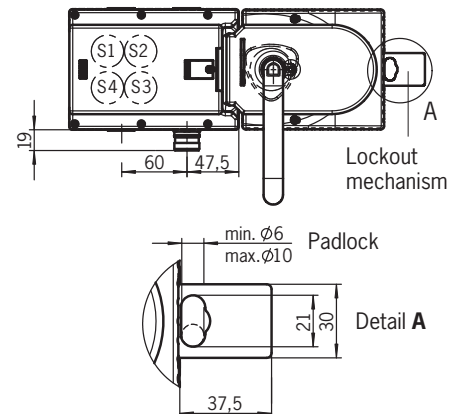
- ▶ Plug connector M23



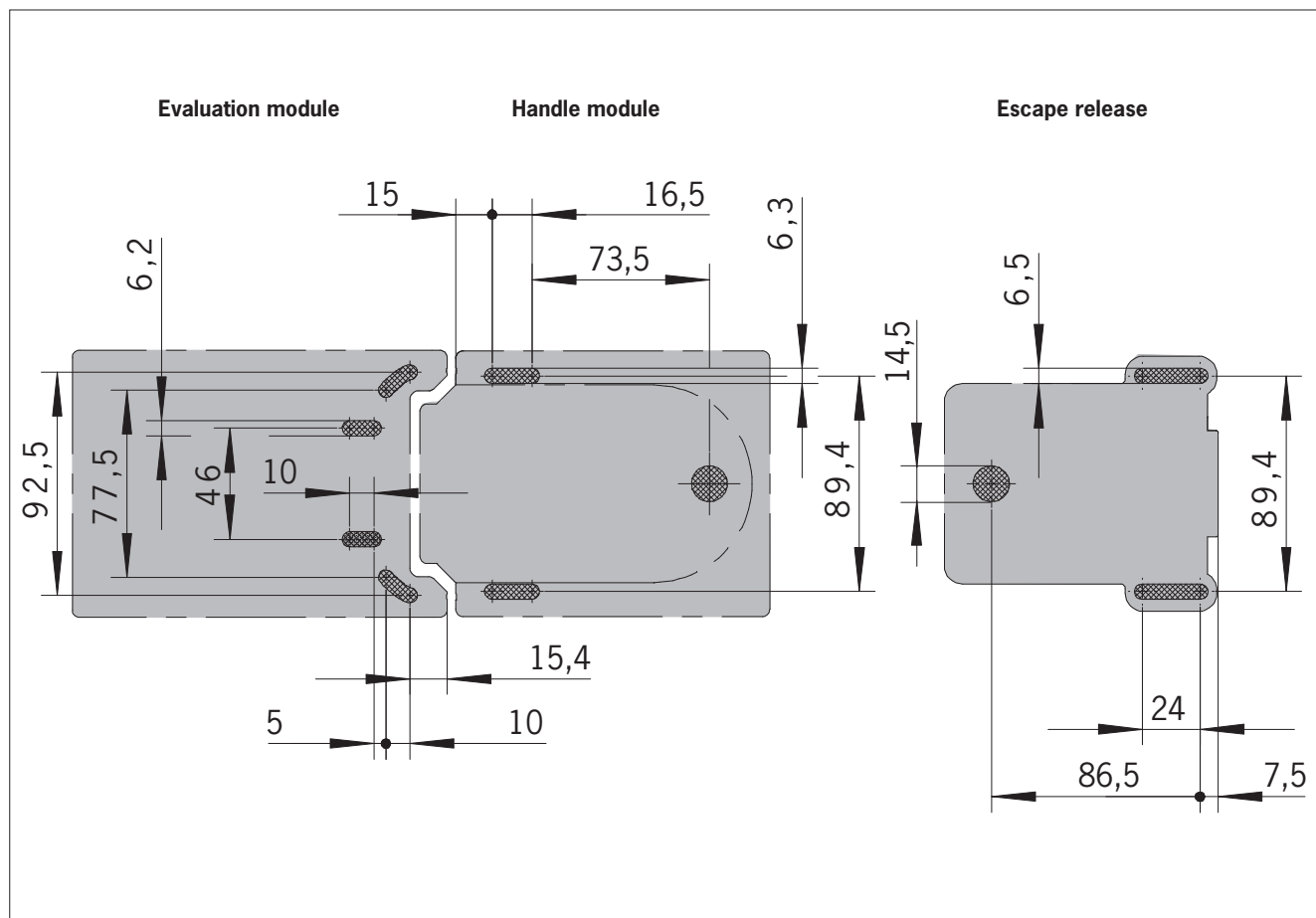
- ▶ Plug connector RC26



- ▶ Dimensions with plug connector M23 and automatically extending lockout mechanism (optional)

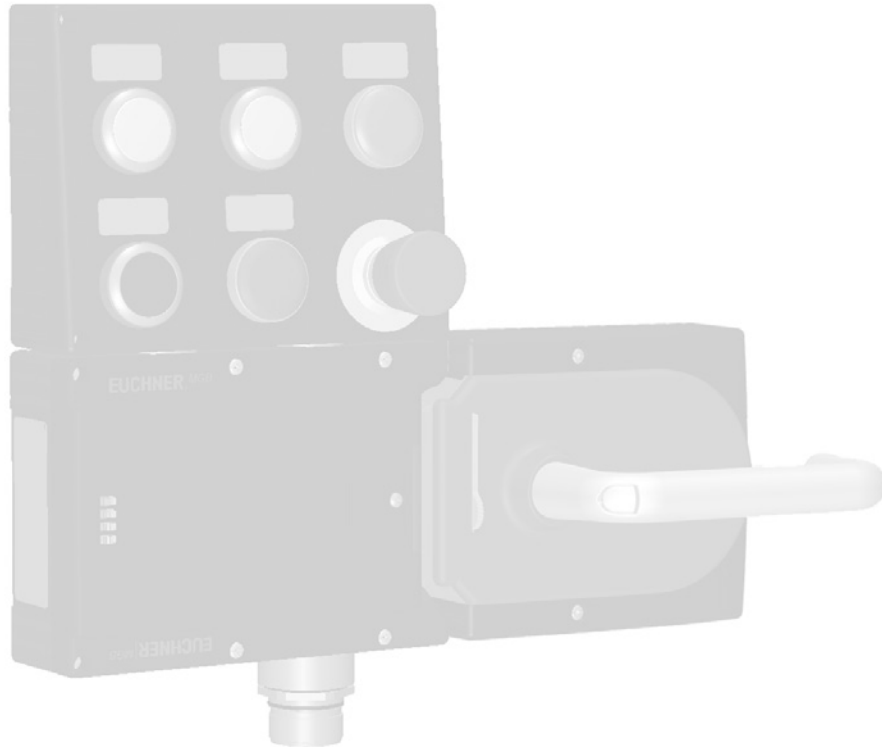


Drilling pattern



Complete sets system family MGB-AR with control module MGB-C

- ▶ Interlocking or guard locking with handle module
- ▶ With pushbuttons and emergency stop
- ▶ With plug connectors



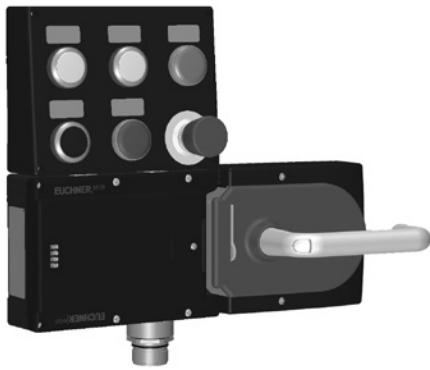
MGB-AR

Interlocking sets MGB-LOC-AR... (without guard locking)	54
with 6 controls and indicators	54
Locking sets MGB-L1C-AR... (guard locking by spring force)	56
with 6 controls and indicators	56
Locking sets MGB-L2C-AR... (guard locking by solenoid force)	58
with 6 controls and indicators	58
Technical data	60
Dimension drawings	61

Interlocking sets MGB-LOC-AR... with 6 controls or indicators



Cat.
4
PLe



Details

Adhesive labels

Devices with adhesive labels have pre-formed recesses. The adhesive labels enclosed (standard size 12.5 x 27 mm) can be affixed in these recesses.

Emergency stop with monitoring contact

Additional normally open contact in the emergency stop, e.g. as monitoring contact for the control system.

Further information

- ▶ Dimension drawings see p. 61
- ▶ Technical data see p. 60
- ▶ Accessories and spare parts see p. 63
- ▶ www.euchner.com

- ▶ With control module MGB-C
- ▶ Can be connected in series with other AR devices (e.g. CES-AR, CET-AR and CTP-AR)
- ▶ With plug connector

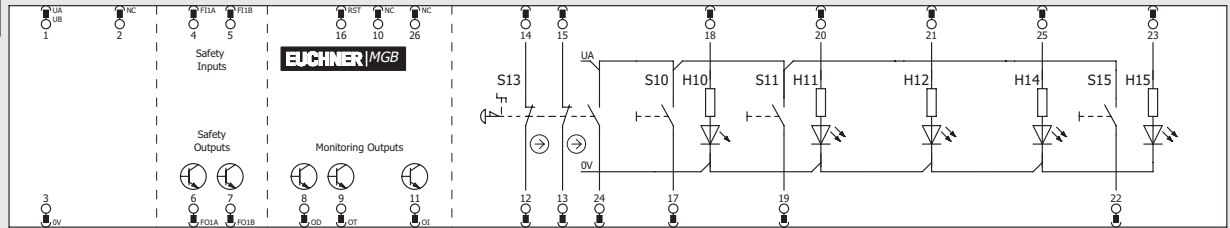
Ordering table

Modules in the set								Ordering data, set			
Version/ configuration scheme Order no. separate module	Locking module with control module						Wiring diagram	Handle module Order no. separate module	Escape release Order no. separate module	Door hinge (factory setting)	Order no./item
	S10 H10	S11 H11	S12 H12	S13 H13	S14 H14	S15 H15					
110259 								111157		Right	110255 MGB-LOHC-ARA-R-110255
Incl. adhesive labels 110260 							A	111158		Left	110256 MGB-LOHC-ARA-L-110256

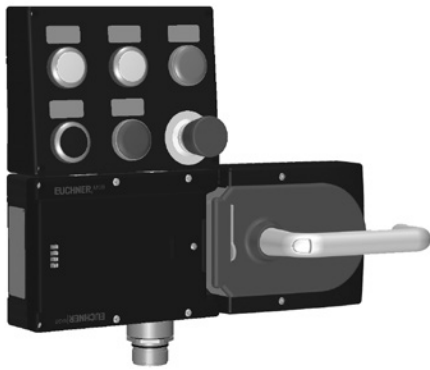
Block diagram

A

Plug connector RC26



Locking sets MGB-L1C-AR... (guard locking by spring force) with 6 controls or indicators



Details

Adhesive labels

Devices with adhesive labels have pre-formed recesses. The adhesive labels enclosed (standard size 12.5 x 27 mm) can be affixed in these recesses.

Emergency stop with monitoring contact

Additional normally open contact in the emergency stop, e.g. as monitoring contact for the control system.

Further information

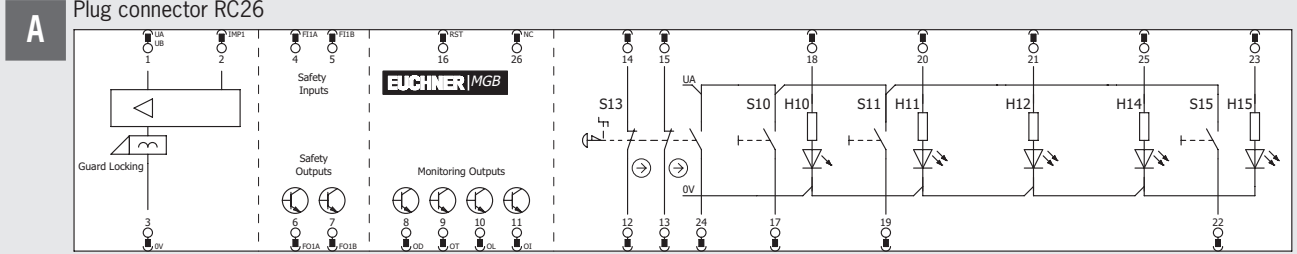
- ▶ Dimension drawings see p. 61
- ▶ Technical data see p. 60
- ▶ Accessories and spare parts see p. 63
- ▶ www.euchner.com

- ▶ With control module MGB-C
- ▶ Can be connected in series with other AR devices (e.g. CES-AR, CET-AR and CTP-AR)
- ▶ With plug connector

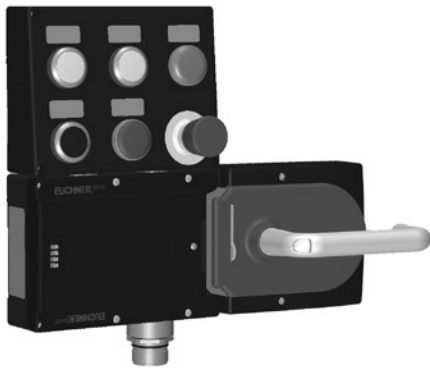
Ordering table

Modules in the set								Ordering data, set			
Locking module with control module								Handle module Order no. separate module	Escape release Order no. separate module	Door hinge (factory setting)	Order no./item
Version/ configuration scheme Order no. separate module	S10 H10	S11 H11	S12 H12	S13 H13	S14 H14	S15 H15	Wiring diagram				
109798 								111157		Right	109806 MGB-L1HC-ARA-R-109806
AR 109799 							A				
Incl. adhesive labels	wh	wh	gn		rd	bu		111158		Left	109807 MGB-L1HC-ARA-L-109807
Incl. adhesive labels											

Block diagram



Locking sets MGB-L2C-AR... (guard locking by solenoid force) with 6 controls or indicators



Details

Adhesive labels

Devices with adhesive labels have pre-formed recesses. The adhesive labels enclosed (standard size 12.5 x 27 mm) can be affixed in these recesses.

Emergency stop with monitoring contact

Additional normally open contact in the emergency stop, e.g. as monitoring contact for the control system.

Further information

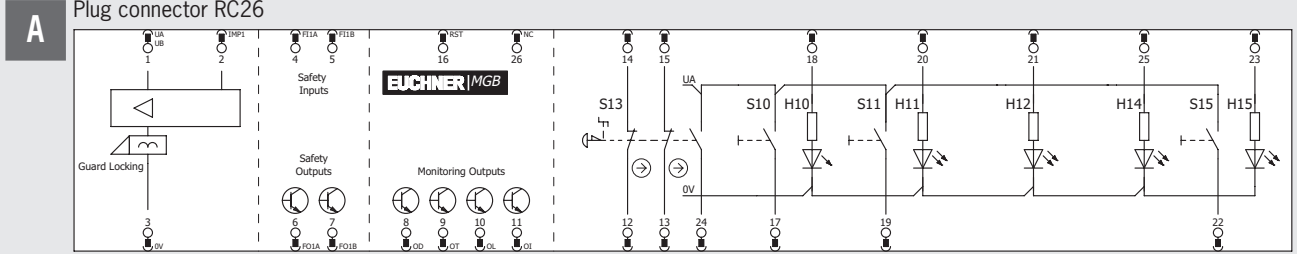
- ▶ Dimension drawings see p. 61
- ▶ Technical data see p. 60
- ▶ Accessories and spare parts see p. 63
- ▶ www.euchner.com

- ▶ With control module MGB-C
- ▶ Can be connected in series with other AR devices (e.g. CES-AR, CET-AR and CTP-AR)
- ▶ With plug connector

Ordering table

Modules in the set								Ordering data, set			
Version/ configuration scheme Order no. separate module	Locking module with control module						Wiring diagram	Handle module Order no. separate module	Escape release Order no. separate module	Door hinge (factory setting)	Order no./item
	S10 H10	S11 H11	S12 H12	S13 H13	S14 H14	S15 H15					
112529 								111157		Right	112531 MGB-L2HC-ARA-R-112531
Incl. adhesive labels							A				
112530 								111158		Left	112532 MGB-L2HC-ARA-L-112532
Incl. adhesive labels											

Block diagram



MGB-AR

Technical data

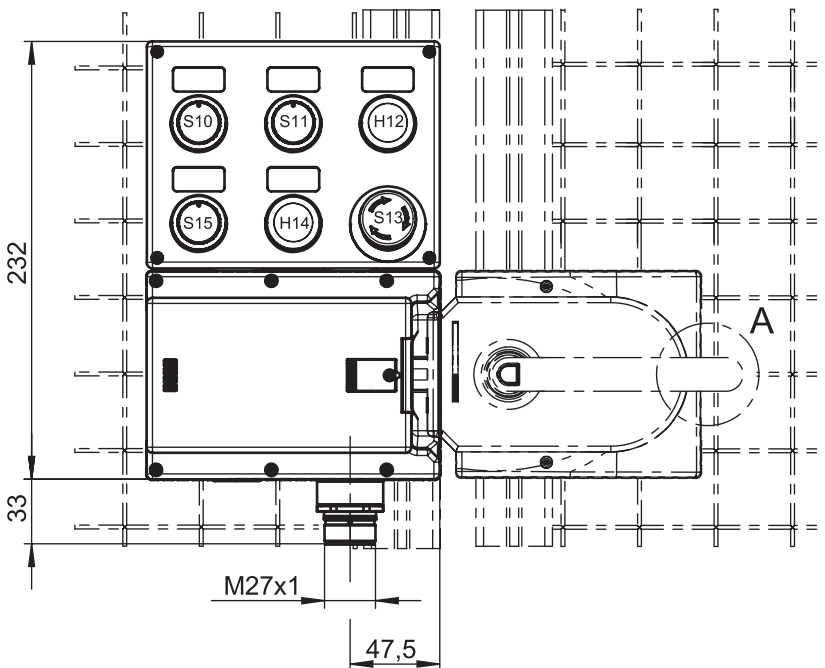
Parameter	Value	Unit
Housing material	Fiber glass reinforced plastic Die-cast zinc, nickel-plated Stainless steel	
Dimensions	See dimension drawing	
Weight		
Locking module	0.75	kg
Handle module	1.00	
Escape release	0.50	
Ambient temperature at $U_B = DC\ 24\ V$	-20 ... +55	°C
Degree of protection		
Cover not populated/populated with pushbuttons/ indicators	IP 65 IP 54	
Cover populated with key-operated switch		
Safety class	III	
Degree of contamination	3	
Installation position	Any	
Locking force F_{zh} in accordance with GS-ET-19	2000	N
Connection	4 cable entries M20x1.5 or plug connector	
Conductor cross-section (rigid/flexible)	0.13 ... 1.5 (AWG 24 ... AWG 16)	mm ²
- With ferrule according to DIN 46 228/1	0.25 ... 1.5	
- With ferrule with collar according to DIN 46228/1	0.25 ... 0.75	
Operating voltage U_B (reverse polarity protected, regulated, residual ripple < 5%)	24 +10% / -15% (PELV)	V DC
Auxiliary voltage U_A (reverse polarity protected, regulated, residual ripple < 5%)	24 +10% / -15% (PELV)	V DC
Current consumption I_{UB} (no load on any outputs)	80	mA
Current consumption I_{UA} - With energized guard locking solenoid and unloaded outputs OI, OL, OT and OD - Pushbutton S (unloaded, per LED)	350 5	mA
External fuse	See operating instructions	
Safety outputs FO1A/FO1B	Semiconductor outputs, p-switching, short circuit-proof	
Test duration after power on	AR < 1000 / AP < 300	µs
Output voltage U_{FO1A} / U_{FO1B} ¹⁾		
HIGH U_{FO1A} / U_{FO1B}	$U_B - 2V \dots U_B$	V DC
LOW U_{FO1A} / U_{FO1B}	0 ... 1	
Switching current per safety output	1 ... 200	mA
Utilization category according to EN IEC 60947-5-2	DC-13 24 V 200 mA Caution: outputs must be protected with a free-wheeling diode in case of inductive loads.	
Monitoring outputs - Output voltage ¹⁾ - Max. load	p-switching, short circuit-proof $U_A - 2V \dots U_A$ Max. 50	mA
Rated insulation voltage U_i	30	V
Rated impulse withstand voltage U_{imp}	1.5	kV
Resilience to vibration	Acc. to EN IEC 60947-5-3	
Switching frequency	0.25	Hz
EMC protection requirements	Acc. to EN IEC 60947-5-3	
Reliability values acc. to EN ISO 13849-1		
Category	4	
Performance Level	PL e	
PFH_d	$3.1 \times 10^{-9} / h^{2)}$	
Mission time	20	years
Controls and indicators		
Operating voltage	5 ... 24	V
Operating current	1 ... 100	mA
Breaking capacity max.	250	mW
Power supply LED	24	V DC

1) Values at a switching current of 50 mA without taking into account the cable length.

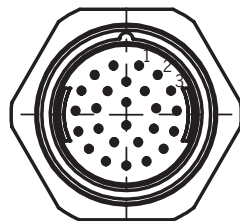
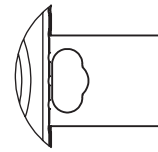
2) Applying the limit value from EN ISO 13849-1:2008, section 4.5.2 ($MTTF_d = \max. 100\ \text{years}$), the employers' liability insurance association certifies a PFH_d of max. 2.47×10^{-8} .

Dimension drawings

► MGB-L.HC-AR



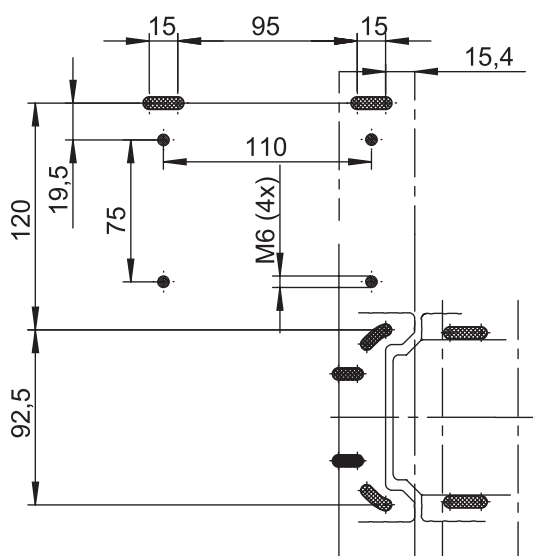
Detail A



Plug connector RC26

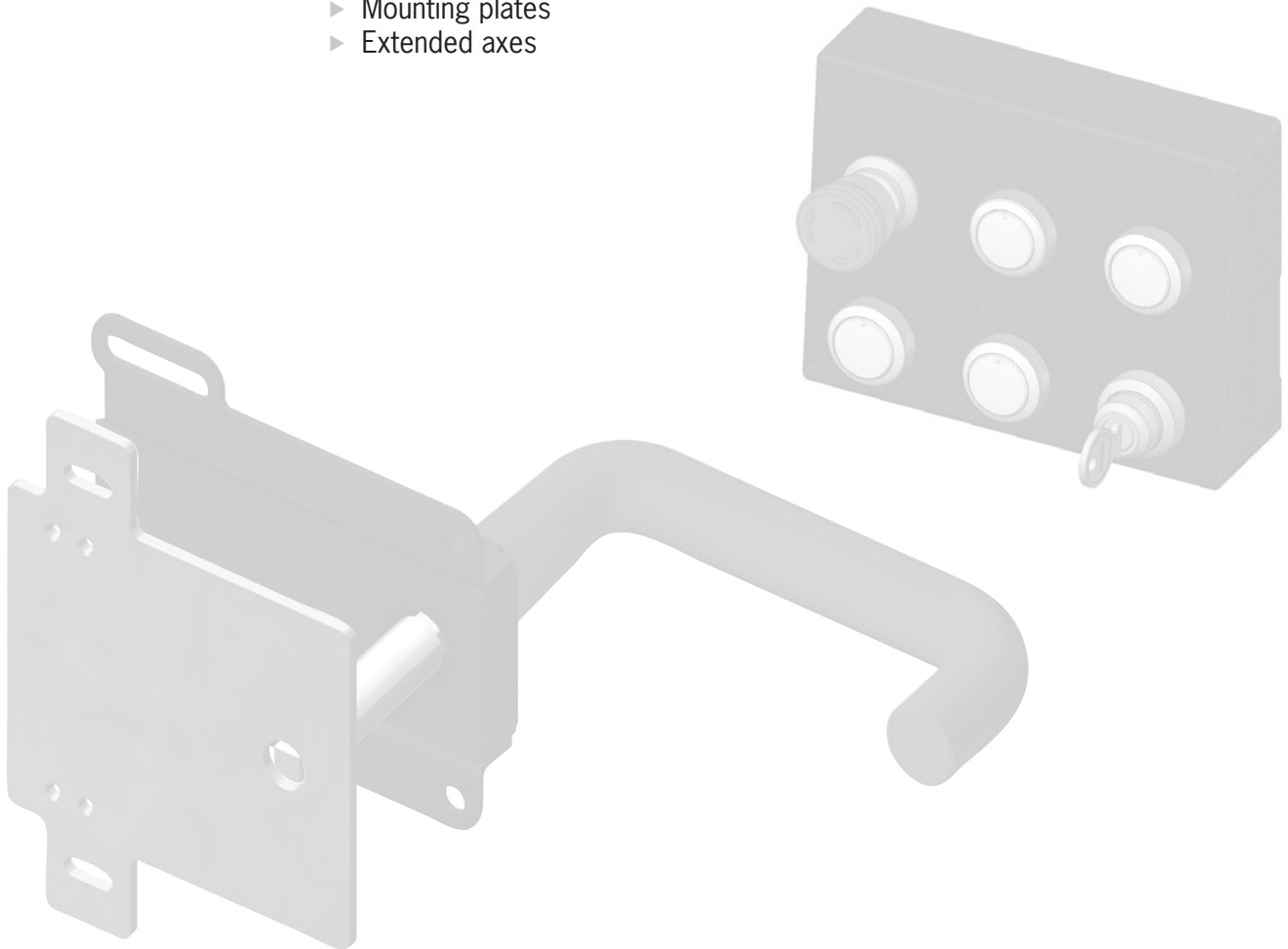
View of connection side

Drilling pattern



Accessories and spare parts for all MGB families

- ▶ Plug connectors and cables
- ▶ Emergency unlocking for auxiliary release
- ▶ Adhesive labels
- ▶ Mounting plates
- ▶ Extended axes



Handle module MGB-H...	64 - 66
Escape release MGB-E...	68
Emergency unlocking for auxiliary release/adhesive labels	69
Lens sets	70
Mounting plates for modules MGB-...-AR and MGB-...-AP	71 - 72
Plug connectors/ connection cables	73 - 76
Control modules MGB-C	77 - 83
Dimension drawing and configuration example	79
Overview, controls and indicators	80
Combination options	81
Spare parts and accessories	82
Technical data	83

Handle module MGB-H-... (from V3.0.0)



- ▶ Intelligent bolt tongue with transponder
- ▶ Fold-out lockout mechanism
- ▶ Door handle



Bolt tongue

The bolt tongue is reliably detected by transponder as soon as it is inserted in the evaluation module.

Lockout mechanism (fold-out)

For cleaning and service on the machine, the bolt tongue can be locked with max. 3 padlocks. The lockout mechanism is simply folded out and prevents the operation of the handle.

Door handle

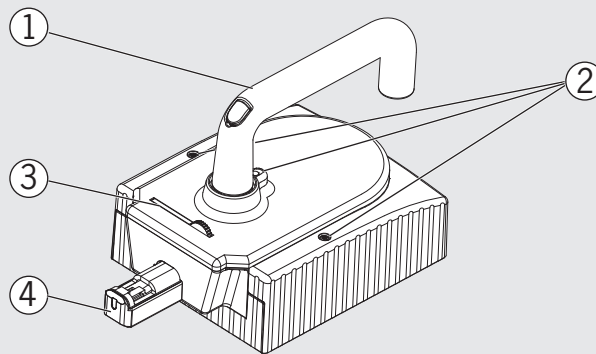
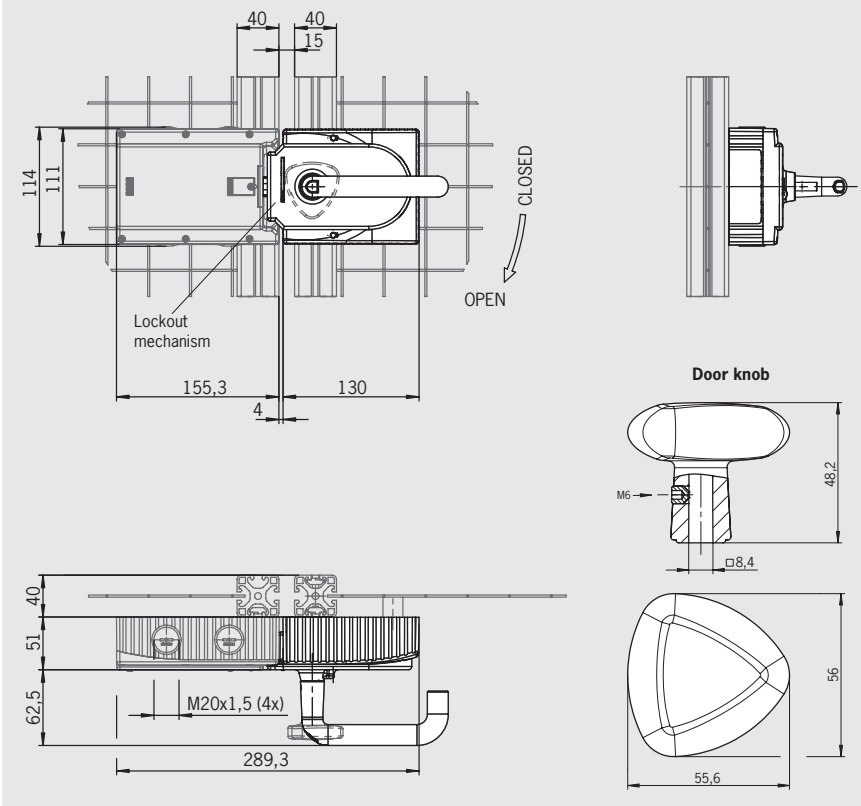
The MGB has a robust door handle that can be rotated in 90° steps to suit all installations. The actuating direction can be changed very easily for doors hinged on the left or right.

Door knob

As an alternative to the door handle, the handle module can also be equipped with a door knob.

Handle module MGB-H-... (from V3.0.0) with fold-out lockout mechanism

Dimension drawing (diagram shows door hinged on the right)



Scope of delivery:

- ① Door handle
- ② Locking pins for housing cover and handle adjustment
- ③ Lockout mechanism
- ④ Bolt tongue

Ordering table handle module from V3.0.0

Series	Version	Order no./item
MGB-H... Handle module right	With door handle and fold-out lockout mechanism, black housing with red cover	100464 MGB-H-AA1A1-R-100464
	With door handle and fold-out lockout mechanism, can be locked using escape release , black housing with red cover	114655 MGB-H-AA1B1-R-114655
	With door knob and fold-out lockout mechanism, black housing with red cover	113201 MGB-H-AA1A7-R-113201
MGB-H... Handle module left	With door handle and fold-out lockout mechanism, black housing with red cover	106619 MGB-H-AA1A1-L-106619
	With door handle and fold-out lockout mechanism, can be locked using escape release , black housing with red cover	114656 MGB-H-AA1B1-L-114656
	With door knob and fold-out lockout mechanism, black housing with red cover	121478 MGB-H-AA1A7-L-121478
Door handle Aluminum, silver anodized	From MGB-H V3.0.0	123926 MGB-A-DOORHANDLE-S2-123926
Door knob Aluminum, silver anodized	From MGB-H V3.0.0	124030 MGB-A-DOORKNOB-S2-124030

Ordering table accessories for handle module up to V2.0.0

Series	Version	Order no./item
Door handle Aluminum, silver anodized	Up to MGB-H V2.0.0	110277 MGB-A-DOORHANDLE-S-110277
Door knob Aluminum, silver anodized	Up to MGB-H V2.0.0	111460 MGB-A-DOORKNOB-111460

Handle module MGB-H... with automatically extending lockout mechanism (from V3.0.0)



- ▶ Intelligent bolt tongue with transponder
- ▶ Fold-out lockout mechanism (as on standard version)
- ▶ Second automatically extending lockout mechanism
- ▶ Door handle



Bolt tongue

The bolt tongue is reliably detected by transponder as soon as it is inserted in the evaluation module.

Lockout mechanism (automatically extending and fold-out)

For cleaning and service on the machine, the bolt tongue can be locked with max. 3 padlocks. The lockout mechanism extends automatically on the actuation of the handle and prevents the operation of the handle in the safe state. In addition, the fold-out lockout mechanism can be used.

Door handle

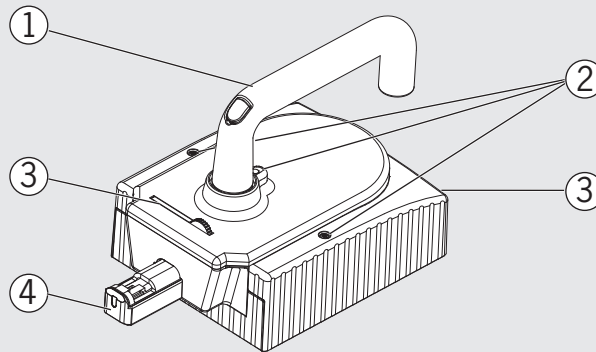
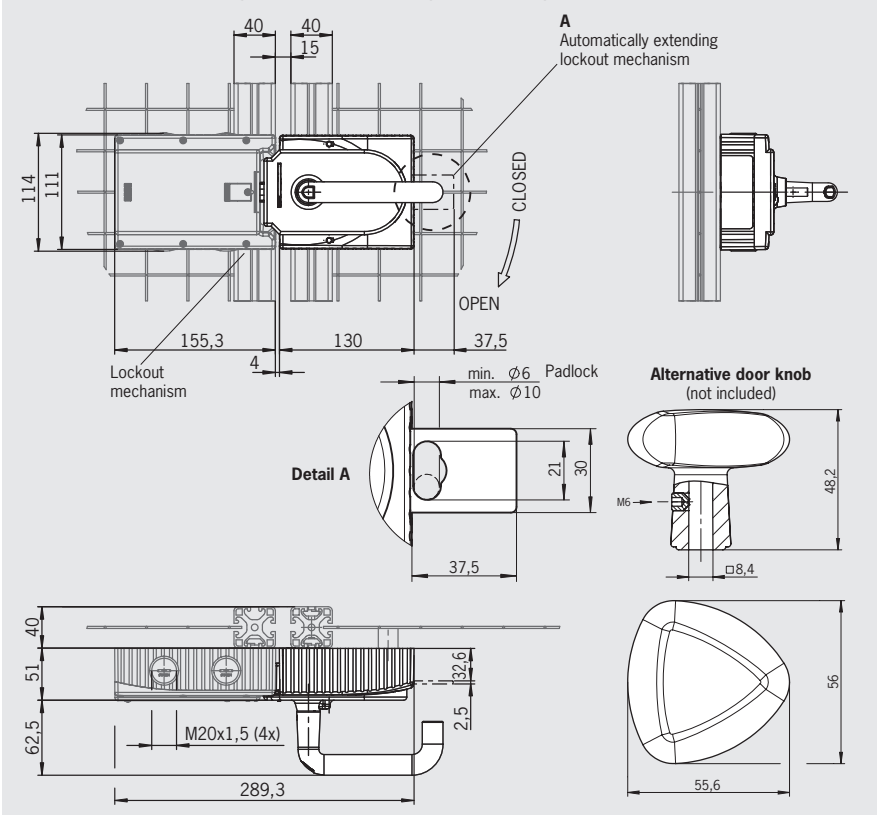
The MGB has a robust door handle that can be rotated in 90° steps to suit all installations. The actuating direction can be changed very easily for doors hinged on the left or right.

Door knob

As an alternative to the door handle, the handle module can also be equipped with a door knob.

Handle module MGB-H... (from V3.0.0) with automatically extending lockout mechanism

Dimension drawing (diagram shows door hinged on the right)



Scope of delivery:

- ① Door handle
- ② Locking pins for housing cover and handle adjustment
- ③ Lockout mechanism
- ④ Bolt tongue

Ordering table

Series	Version	Order no./item
MGB-H... Handle module right	With fold-out and also second automatically extending lockout mechanism, black housing with red cover	111157 MGB-H-AA1A3-R-111157
	With door handle and fold-out lockout mechanism, can be locked using escape release , black housing with red cover	116813 MGB-H-AA1B2-R-116813
MGB-H... Handle module left	With fold-out and also second automatically extending lockout mechanism, black housing with red cover	111158 MGB-H-AA1A3-L-111158
	With door handle and fold-out lockout mechanism, can be locked using escape release , black housing with red cover	116814 MGB-H-AA1B2-L-116814
Door handle Aluminum, silver anodized	From MGB-H V3.0.0	123926 MGB-A-DOORHANDLE-S2-123926
Door knob Aluminum, silver anodized	From MGB-H V3.0.0	124030 MGB-A-DOORKNOB-S2-124030

Escape release module MGB-E...



► Door handle red



Escape release

The safety system MGB can be equipped with an escape release module. The escape release enables people shut in to open the guard locked door from the danger zone. It is only necessary to actuate the door handle.

The actuating direction automatically adapts to the actuating direction of the handle module and does not need to be changed.

The actuation axis supplied is suitable for profiles up to 40 mm.

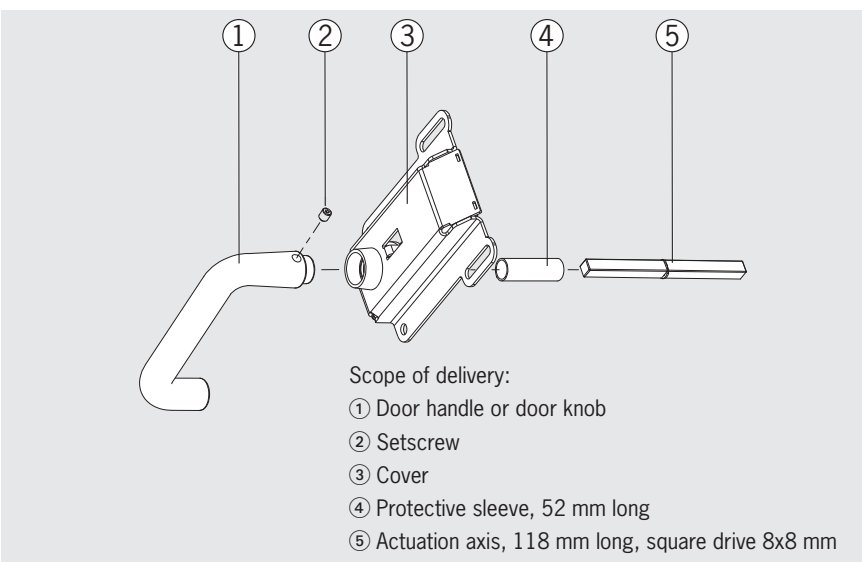
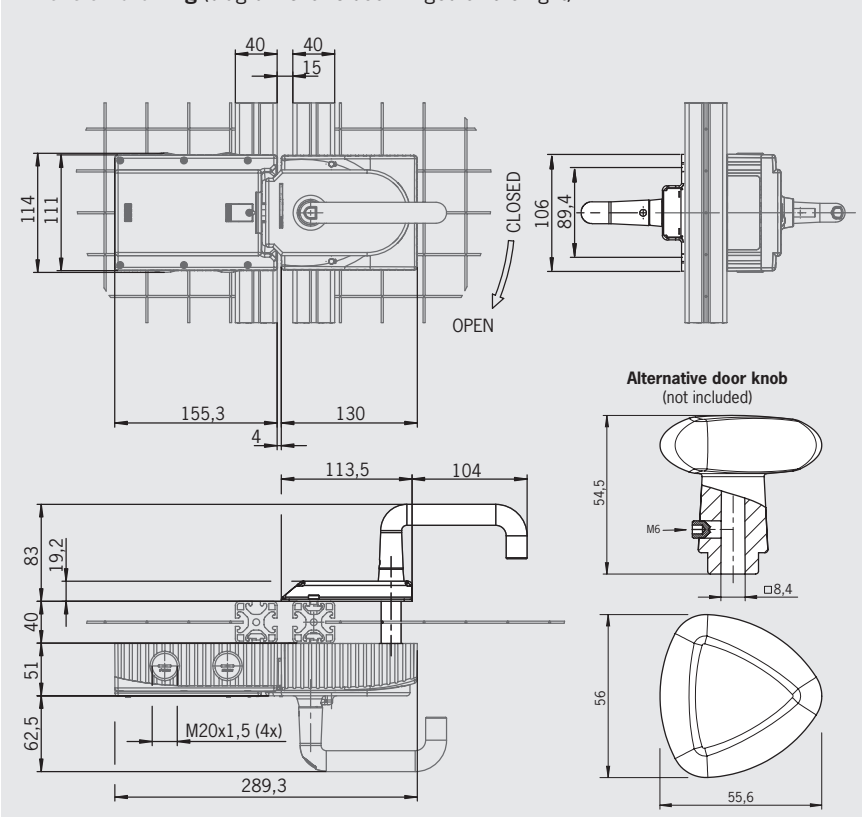
Extended actuation axis

Optionally, a 250-mm long actuation axis (instead of 110 mm) can be ordered for thicker doors or profiles > 40 mm.

The axis can be shortened to the required dimension.

Escape release module MGB-E...

Dimension drawing (diagram shows door hinged on the right)



Ordering table

Series / designation	Version	Order no./item
MGB-E... Escape release	With red handle, 110 mm long	100465 MGB-E-A-100465
	With red knob 110 mm long	117126 MGB-E-A7-117126
Extended actuation axis	250 mm long, square 8 x 8 mm (with protective sleeve, 182 mm long)	106761 MGB-A-ESCAPERELEASESHAFT 250
Escape release MGB-E-A-100465 Pre-assembled on mounting plate	With red handle, 118 mm long	106051 MGB-E-A2-106051
Door handle	Aluminum, red stove enameled	110276 MGB-A-DOORHANDLE-R-110276
Door knob	Aluminum, red stove enameled	114904 MGB-A-DOORKNOB-114904

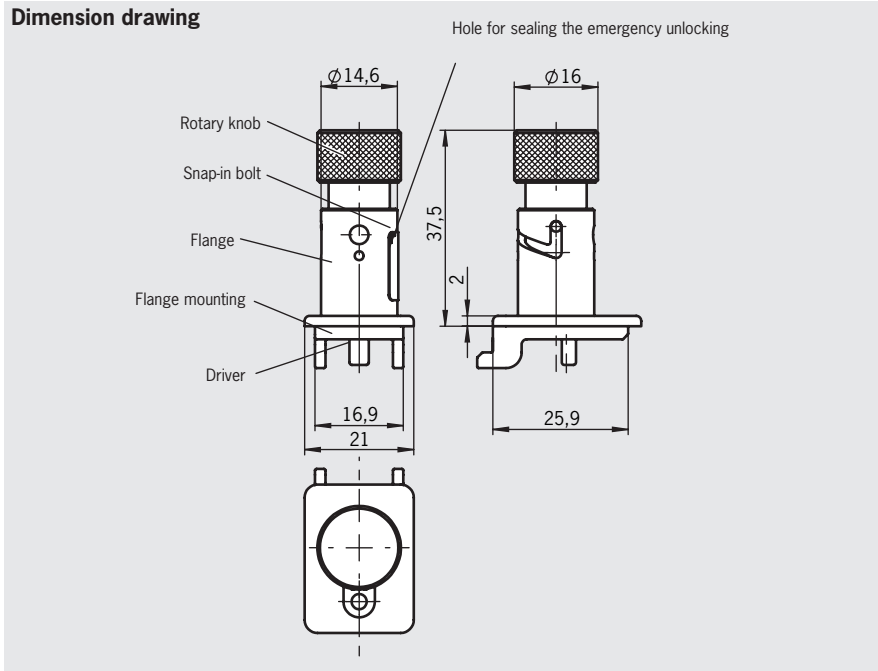
Emergency unlocking for auxiliary release/adhesive labels

► **Emergency unlocking**

Function

The MGB can be unlocked manually using the emergency unlocking. The rotary knob is pushed and then turned by 90° to unlock. The snap-in bolt engages in the hole on the flange. To release the emergency unlocking, push the snap-in bolt inward and simultaneously turn the rotary knob back to its initial position. The emergency unlocking can be sealed in the free position.

Emergency unlocking MGB-A...

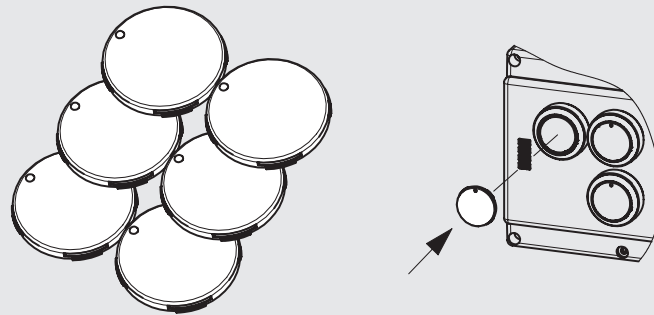


Ordering table

Series / designation	Usage/color	Order no./item
Emergency unlocking Sealable	For auxiliary release evaluation modules MGB	112989 MGB-A-EMERGENCYRELEASE-112989
Lead seal kit	For emergency unlocking	087256 Lead seal kit C1937
Adhesive labels Silver, blank (packaging unit 10 pcs.)	For evaluation modules MGB	114529 MGB-A-PLATESET-NN01-114529
Screw set (packaging unit 5 pcs.)	For MGB cover	156331 MGB-A-SCREW-156331/V5

Lens sets

Lens set



Ordering table

Series / designation	Usage/color		Order no./item
Lens set 3 pcs.	1 x GN Ⓞ	1 x YE ▲	126158 MGB-ALENSSET-SY03-126158
Lens sets 6 pcs.	1 x WH ⏏		
	2 x WH / 1 x BU / 1 x YE / 1 x GN / 1 x RD		120344 MGB-ALENSSET-0001-120344
	1 x WH / 1 x BU / 1 x YE / 1 x GN / 1 x RD / 1 x BK		120378 MGB-ALENSSET-0002-120378
	1 x WH ⏏	1 x WH ⏏	120377 MGB-ALENSSET-SY01-120377
1 x GN Ⓞ	1 x WH Ⓞ		
1 x WH	1 x WH ⏏		
Lens set 15 pcs.	1 x WH	4 x BK	125359 MGB-ALENSSET-SY02-125359
	1 x WH ⏏	1 x WH ⏏	
	2 x WH ⏏	2 x WH ↓	
	1 x WH OK	1 x WH ✓	
	1 x WH ⏏ ₂	1 x WH ⏏ ₂	

Mounting plates for modules MGB-...-AR... and MGB-...-AP...

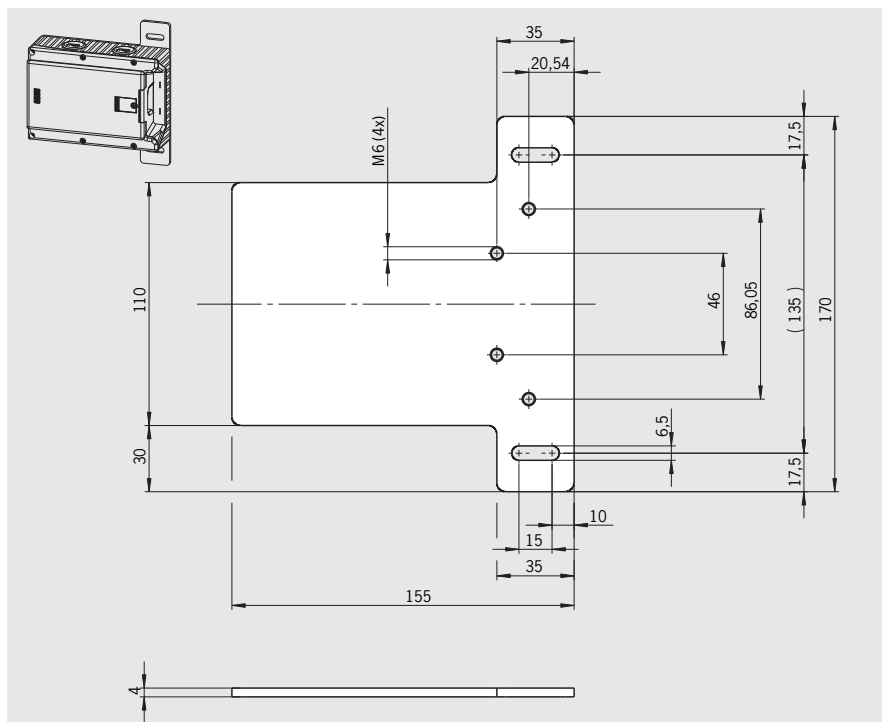
- ▶ Easy and quick mounting (only two screws required)
- ▶ Quick module replacement
- ▶ Robust stainless steel plate
- ▶ Suitable for doors hinged on the right or left

Mounting plate for evaluation module

Suitable for all interlocking or locking modules in the system families AR and AP. Two screws are sufficient for fastening the mounting plates. **Important:** Only use if the handle module is also fastened to a mounting plate.



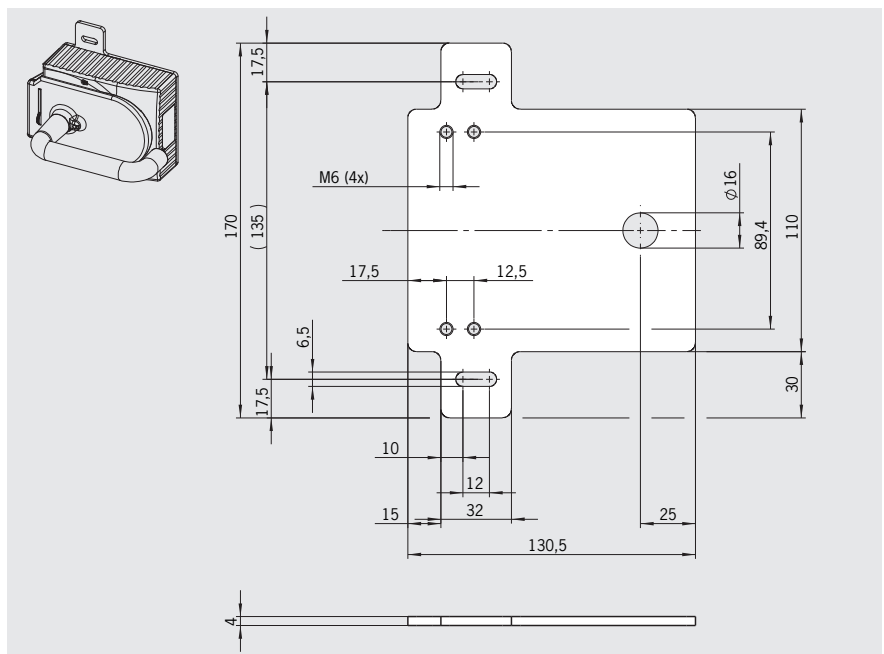
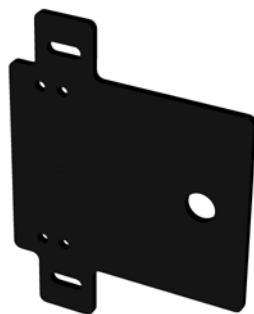
Mounting plate for evaluation module



Mounting plate for handle modules

Mounting plate for handle module

Suitable for all MGB handle modules. Two screws are sufficient for fastening the mounting plates. **Important:** Only use if the evaluation module is also fastened to a mounting plate.



Ordering table

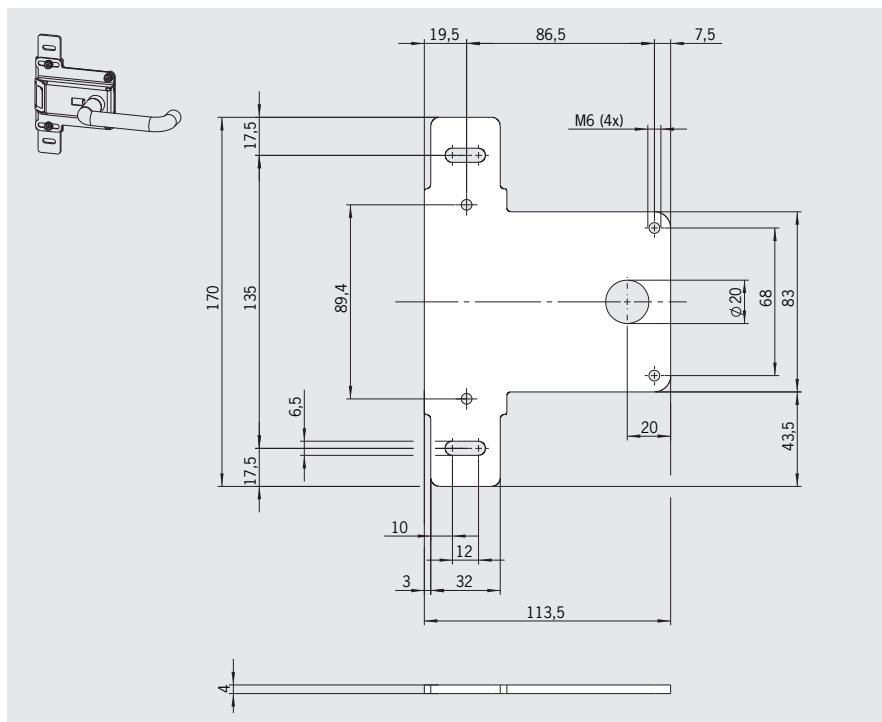
Series / designation	Version	Order no./item
Mounting plate for evaluation module	Suitable for all MGB-L-AR-... and MGB-L-AP-...	109490 MGB-A-MOUNTINGPLATE-L-109490
Mounting plate for handle module	Suitable for all MGB handle modules	109491 MGB-A-MOUNTINGPLATE-H-109491
Mounting plate for escape release	Suitable for all MGB escape releases	109492 MGB-A-MOUNTINGPLATE-E-109492
Mounting plate for evaluation module-control module combination	Suitable for all MGB-L-AR-... and MGB-L-AP-... in combination with a control module MGB-C-...	110072 MGB-A-MOUNTINGPLATE-LC-110072

Mounting plate for escape release

Mounting plate for escape release

Suitable for all MGB escape releases. Two screws are sufficient for fastening the mounting plates.

Important: Pay attention to length of the escape release actuation axis! You may need the longer axis (order no. 106761, see 68).

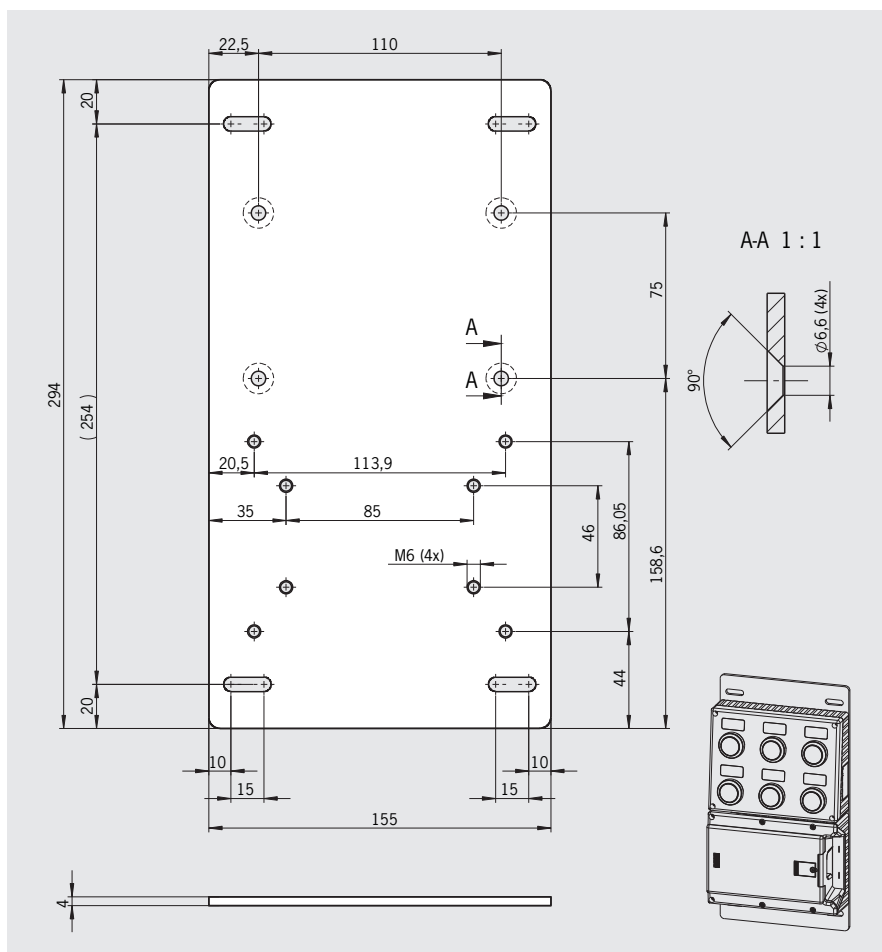
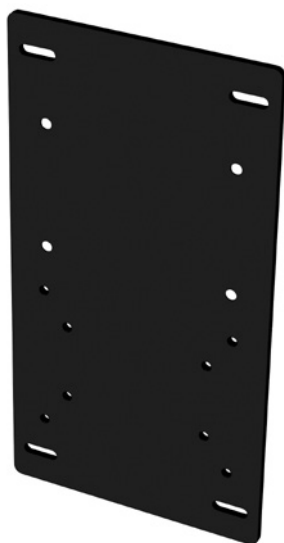


Mounting plate for evaluation module-control module combination

Mounting plate for evaluation module-control module combination

Suitable for all MGB combinations, comprising an evaluation module and a control module.

Important: Only use if the handle module is also fastened to a mounting plate.

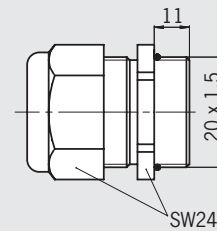


Cable gland

- ▶ M20 x 1.5
- ▶ Material plastic
- ▶ Cable diameter 6 - 12 mm

Cable gland EKPM20/06
Plastic

Dimension drawing



Plug connector RC18

- ▶ Cable optional
- ▶ Halogen-free cable optional

Crimp contacts

With 16 crimp pins for conductor cross-section 0.38 - 0.5 mm² and 3 pins for conductor cross-section 0.75 - 1.0 mm² for control of the guard locking solenoid.

PUR cable (optional)

Cable sleeve PUR, color black, conductor cross-section 0.5 mm² or 1.0 mm² (suitable for drag chain).

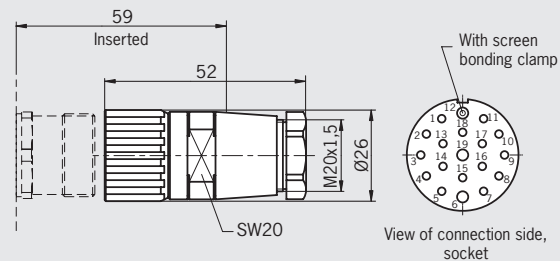
Depending on the cable version, either color-coded or with separately numbered, black cores.

PUR cable, halogen-free (optional)

Cable sleeve PUR, color black, halogen-free, silicone-free. Reduction of toxic gases and smoke in case of fire (suitable for drag chain). Conductor cross-section 0.5 mm² or 1.0 mm². Cores color-coded.

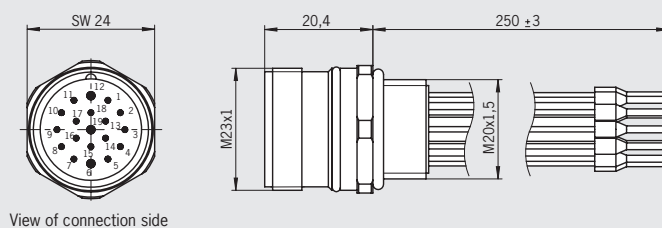
Plug connector RC18 (M23)
19-pin

Dimension drawing



Built-in connector RC18 (M23)
19-pin

Dimension drawing

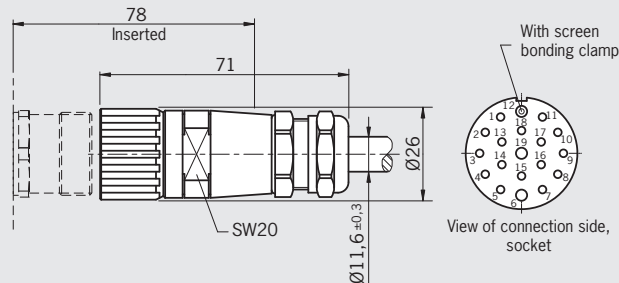


Ordering table

Designation	Version	Order no./item
Cable gland M20 x 1.5	Material plastic Cable diameter 6 - 12 mm	086223 EKPM20/06
Plug connector RC18 (M23) 19-pin	EF-C1825 Female plug (Crimp contacts included)	077025 RC18EF-C1825
	Replacement pin crimp contacts Conductor cross-section 16 x 0.38 - 0.5 mm ² 3 x 0.75 - 1 mm ²	094310 Pin crimp contact RCM-C1825
Built-in connector RC18 (M23) 19-pin		120403 MGB-A-PLUGCONNECTOR-RC18-1204035

Connection cable PUR with plug connector M23
18-core + PE, color-coded

Dimension drawing



Assignment of connection cable with plug connector M23

Pin	Conductor coloring	Conductor cross-section [mm ²]	Pin	Conductor coloring	Conductor cross-section [mm ²]
1	VT	0.5	11	BK	0.5
2	RD	0.5	12	GN/YE	1.0
3	GY	0.5	13	PK	0.5
4	RD/BU	0.5	14	BN/GY	0.5
5	GN	0.5	15	BN/YE	0.5
6	BU	1.0	16	BN/GN	0.5
7	GY/PK	0.5	17	WH	0.5
8	GN/WH	0.5	18	YE	0.5
9	YE/WH	0.5	19	BN	1.0
10	GY/WH	0.5			

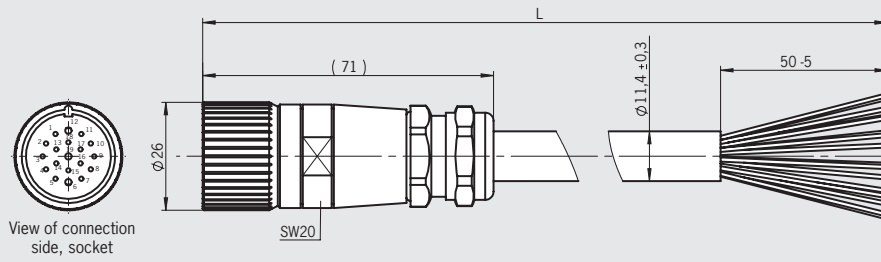
Ordering table

Designation	Cable length L [m]	Order no./item
Connection cable PUR with plug connector M23 18-core + PE, socket Cores color-coded	1.5	092761 C-M23F19-19XDIFPU01,5-MA-092761
	3	092816 C-M23F19-19XDIFPU03,0-MA-092816
	6	077014 C-M23F19-19XDIFPU06,0-MA-077014
	8	077015 C-M23F19-19XDIFPU08,0-MA-077015
	10	092898 C-M23F19-19XDIFPU10,0-MA-092898
	15	077016 C-M23F19-19XDIFPU15,0-MA-077016
	20	092726 C-M23F19-19XDIFPU20,0-MA-092726
	25	092727 C-M23F19-19XDIFPU25,0-MA-092727
	30	095993 C-M23F19-19XDIFPU30,0-MA-095993
	40	102490 C-M23F19-19XDIFPU40,0-MA-102490

Connection cables with plug connector M23

Connection cable PUR with plug connector M23
19-core, numbered

Dimension drawing



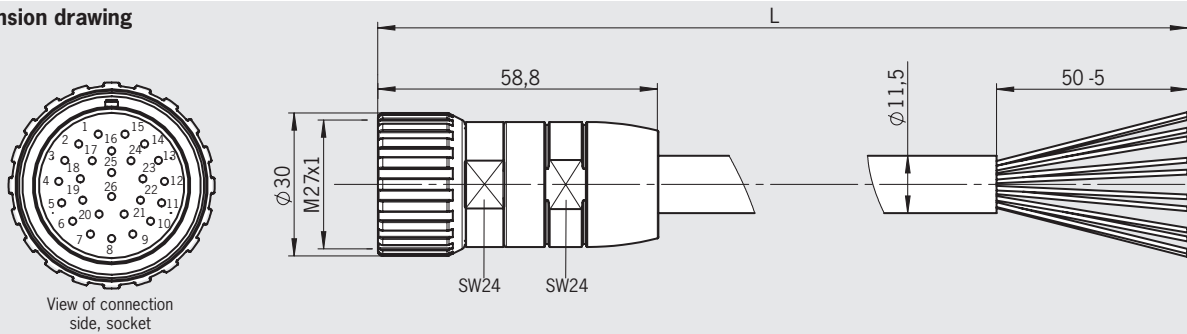
Ordering table

Designation	Cable length L [m]	Order no./item
Connection cable PUR with plug connector M23 19-core, socket Individual cores numbered, black, numbering corresponds to the pin number Conductor cross-section as for connection cable above	1.5	110301 C-M23F19-PU01,5-MA-110301
	3	110302 C-M23F19-PU03,0-MA-110302
	6	110303 C-M23F19-PU06,0-MA-110303
	10	110304 C-M23F19-PU10,0-MA-110304
	15	110305 C-M23F19-PU15,0-MA-110305
	20	110306 C-M23F19-PU20,0-MA-110306
	25	110307 C-M23F19-PU25,0-MA-110307
	30	122434 C-M23F19-PU30,0-MA-122434
	40	122435 C-M23F19-PU40,0-MA-122435

Connection cables with plug connector RC26

Connection cable PUR with plug connector RC26
26-core + PE, numbered

Dimension drawing



Conductor cross-section of connection cable with plug connector RC26

Pin	Conductor cross-section [mm ²]	Pin	Conductor cross-section [mm ²]	Pin	Conductor cross-section [mm ²]
1	1.0	10	0.5	19	0.5
2	1.0	11	0.5	20	0.5
3	1.0	12	0.5	21	0.5
4	0.5	13	0.5	22	0.5
5	0.5	14	0.5	23	0.5
6	0.5	15	0.5	24	0.5
7	0.5	16	0.5	25	0.5
8	0.5	17	0.5	26	0.5
9	0.5	18	0.5		

Ordering table

Designation	Cable length L [m]	Order no./item
Connection cable TPE-U with plug connector RC26 26-core, socket Individual cores numbered, black, numbering corresponds to the pin number	1.1	114976 C-M27F26-PU01,1-MA-114976
	2	111997 C-M27F26-PU02,0-MA-111997
	5	111998 C-M27F26-PU05,0-MA-111998
	10	111999 C-M27F26-PU10,0-MA-111999
	20	112912 C-M27F26-PU20,0-MA-112912
	35	123829 C-M27F26-PU35,0-MA-123829
	50	123877 C-M27F26-PU50,0-MA-123877

Expand your options - the control module for the MGB

- ▶ Space for up to 6 controls and indicators
- ▶ Ideal expansion solution for the MGB system
- ▶ A large amount of design flexibility

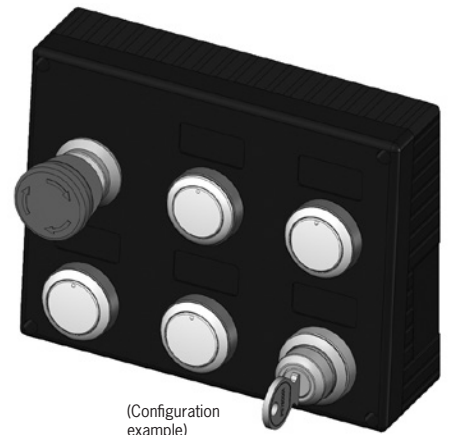
In the control module it is possible to integrate controls such as pushbuttons, emergency stop, key-operated switches, selector switches or even indicators as required. In this way a complete functional control panel can be built up.

Even the MGB basic system comprising handle module and interlocking/locking module includes numerous functions. And if requirements grow, the MGB system simply grows with them with the aid of the control module.

Furthermore, the control module forms an attractive unit together with the MGB. An elegant alternative to the gray switch boxes that were common in the past.

Benefits for you

- ▶ Simple expansion of the MGB system
- ▶ Flexible configuration with standard components
- ▶ Attractive solution from one mold
- ▶ Functional unit, all control functions in one place
- ▶ Alternative to previous control terminals



(Configuration example)

Control modules MGB-C...



(Configuration example)

Details

Emergency stop with monitoring contact

Additional normally open contact in the emergency stop, e.g. as monitoring contact for the control system.

Further information

- ▶ Dimension drawings see p. 79
- ▶ Technical data see p. 83
- ▶ Accessories and spare parts see p. 82
- ▶ www.euchner.com

▶ Integrated controls and indicators

Ordering table

Version/configuration scheme	S10 H10	S11 H11	S12 H12	S13 H13	S14 H14	S15 H15	Order no./item
<p>Empty housing incl. cover and 2 dummy plugs</p>	-	-	-	-	-	-	109219 MGB-C-000000-A1-109219
<p>Empty housing incl. cover with holes, 6 slide-in labels (enclosed) and 2 dummy plugs</p>	Hole	Hole	Hole	Hole	Hole	Hole	114268 MGB-C-0HHHHHH-A1-114268
<p>4 slide-in labels (enclosed), 2 inscribed slide-in labels</p>	Blind plug	Blind plug	Blind plug	Blind plug	Acknowledge protection zone 	Safety door request 	112023 MGB-C-1BBBBPP-A3-112023
<p>1 slide-in label (enclosed), 4 inscribed slide-in labels</p>		Acknowledge emergency stop 	WZW start 	Blind plug	Acknowledge protection zone 	Safety door request 	112022 MGB-C-1EPPBPP-A3-112022
Connection kit	- Printed circuit board with plug-in spring terminals - Pre-assembled wires and cable straps						109858 MGB-A-LPSET-109858
Connection set	2 housing sleeves for gland M20 x 1.5						109524 MGB-A-BUSH-109524

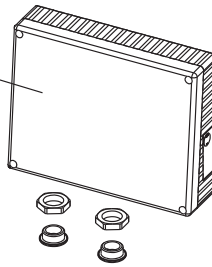
Dimension drawing and configuration example

Control module housing (MGB-C...)

Order No. 109219

Including:

- ▶ 1 x empty housing
- ▶ 1 x cover
- ▶ 2 x dummy plug

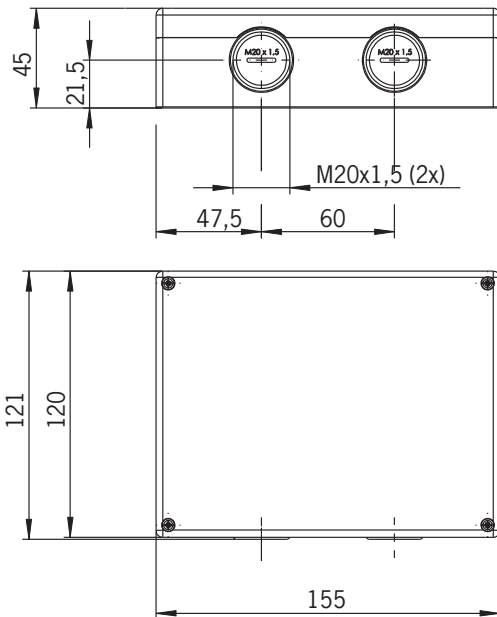
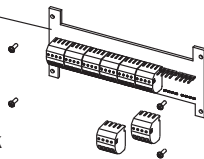


Connection kit

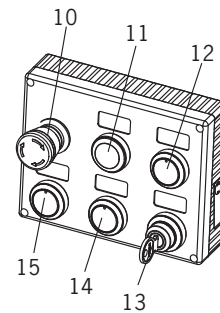
Order No. 109858

Including:

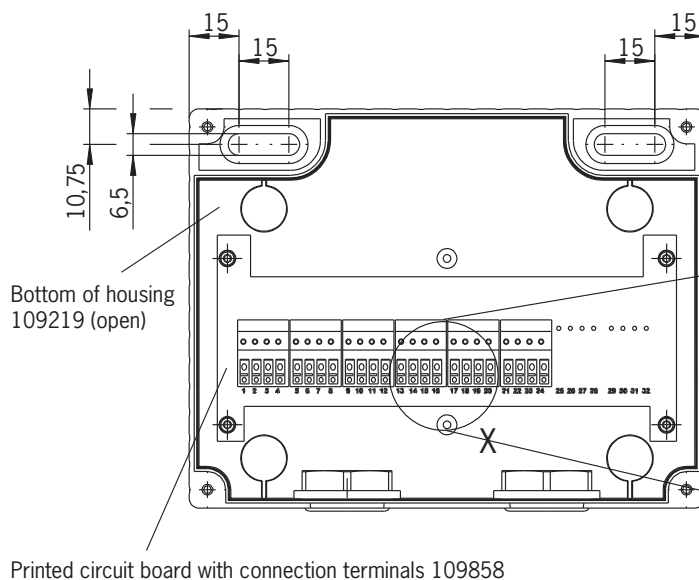
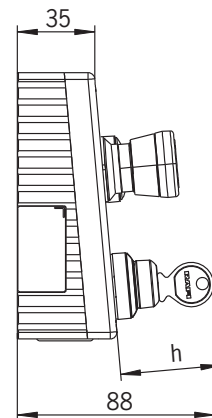
- ▶ 1 pc. printed circuit board with plug-in spring terminals
- ▶ 4 pcs. fixing screws for printed circuit board
- ▶ 7 pcs. flexible wires complete 0.34 mm² red
- ▶ 7 pcs. flexible wires complete 0.34 mm² blue
- ▶ 16 pcs. flexible wires complete 0.34 mm² black
- ▶ 6 pcs. cable straps



Configuration example

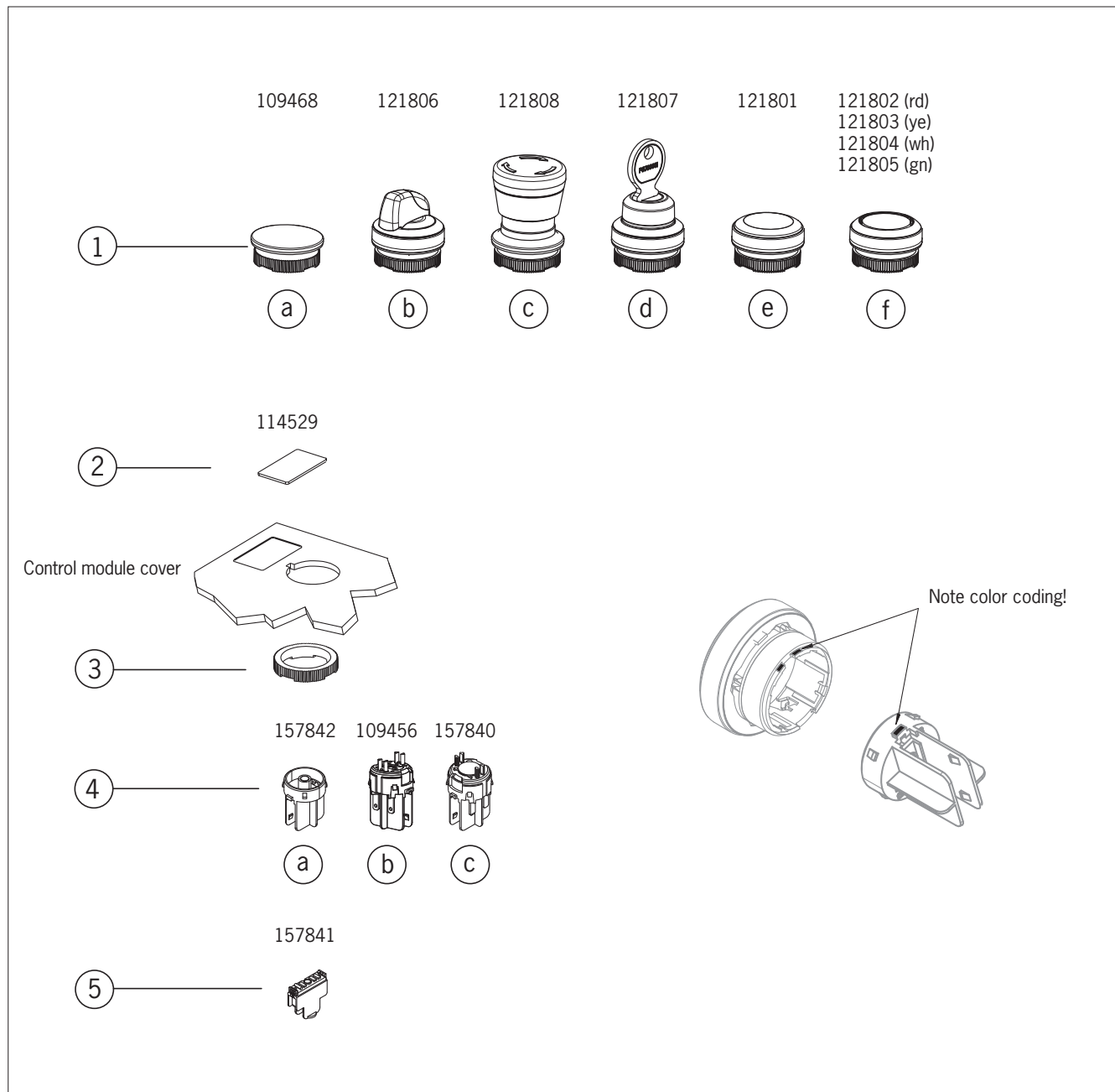


Item	Version	h [mm]
10	Emergency stop pushbutton	33.4
11	Cover for indicators, red	10
12	Cover for indicators, green	
13	Key-operated rotary switch	45.1
14	Illuminated pushbuttons	10
15	Illuminated pushbuttons	




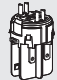

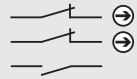
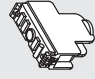







Overview, controls and indicators

(suitable only for use in the control module)



- ① **Controls/indicators**
 - a Blind plug
 - b Selector switch, 2 positions, latching
 - c Emergency stop, turn-to-reset
 - d Key-operated switch, 2 positions, latching (key removable in both positions)
 - e Pushbutton, illumination with 157841
 - f Cover for indicators, different colors, illumination with 157841
- ② **Adhesive label**
- ③ **Knurled nut (included with item 1)**
- ④ **Switching element/LED holder**
 - a LED holder
 - b Switching element, 2 positively driven NC contacts, 1 NO contact
 - c Switching element, 1 NO contact
- ⑤ **LED element, white**

Combination options

	 Switching element Order no. 157840	 Switching element Order no. 109456	 LED holder Order no. 157842
	— —		
 LED Order no. 157841	X	—	●
 Emergency stop Order no. 121808 Latching with turn-to-reset	—	●	—
 Key-operated switch (2 positions) Order no. 121807 Incl. 2 keys Key removable in both positions	● ¹⁾	—	—
 Selector switch (2 positions) Order no. 121806	●	—	—
 Pushbutton (illuminated) Order no. 121801	●	—	—
 Cover for indicators Order no. 121802 (rd) Order no. 121803 (ye) Order no. 121804 (wh) Order no. 121805 (gn)	—	—	●
 Adhesive label Order no. 114529		●	
 Blind plug Order no. 109468		—	

















x= Optional

—= Not combinable

●= Combinable

¹⁾ Not in combination with 157841 (LED)

Spare parts and accessories

Designation	Description	Order No.	Item	
Blind plug		109468	MP-AB-00-00-00-109468	
Cover for indicators (without LED holder)	Transparent - (rd) red - (ye) yellow - (wh) white - (gn) green	121802 121803 121804 121805	MP-B-L-RO-RD-00-121802 MP-B-L-RO-YE-00-121803 MP-B-L-RO-WH-00-121804 MP-B-L-RO-GN-00-121805	
Pushbutton (without switching element)		121801	MP-B-P-RT-NC-A1-121801	
Emergency stop (without switching element)	Latching, turn-to-reset	121808	MP-B-E-RD-00-A4-121808	
Selector switch (without switching element)	2 positions, latching in 2 positions	121806	MP-B-S-RR-00-A2-121806	
Key-operated switch (without switching element)	Incl. 2 keys 2 positions; key removable in each position	121807	MP-B-K-RR-00-A3-121807	
Adhesive labels	Silver, blank (packaging unit = 10 pcs.)	114529	MGB-A-PLATESET-NN01-114529	
Connection set	2 housing sleeves for gland M20x1.5	109524	MGB-A-BUSH-109524	
Switching element with LED holder	- 2 positively driven NC contacts, 1 NO contact - 1 NO contact (expandable with LED element)	109456 157840	MP-A-C-GM-21-00-109456 MP-A-C-GU-01-00-157840	
LED holder		157842	MP-A-C-CH-00-00-157842	
LED element	LED, white	157841	MP-A-C-LC-WH-00-157841	
Lens set 3 pcs.	1 x GN  1 x YE 	126158	MGB-A-LENSET-SY03-126158	
	1 x WH 			
Lens sets 6 pcs.	2 x WH/1 x BU/ 1 x YE/ 1 x GN/ 1 x RD		120344	MGB-A-LENSET-0001-120344
	1 x WH/1 x BU/ 1 x YE/ 1 x GN/ 1 x RD/1 x BK		120378	MGB-A-LENSET-0002-120378
	1 x WH  1 x WH 	120377	MGB-A-LENSET-SY01-120377	
	1 x GN  1 x WH 			
1 x WH  1 x WH 				
Lens set 15 pcs.	1 x WH	4 x BK	125359	MGB-A-LENSET-SY02-125359
	1 x WH  1 x WH 			
	2 x WH  2 x WH 			
	1 x WH OK 1 x WH 			
	1 x WH  1 x WH 			

Technical data

Empty housing

Parameter	Value
Housing material	Reinforced thermoplastic
Ambient temperature	-20 ... 55 °C
Degree of protection according to EN 60529	IP 65
Degree of contamination/material group	3 (industrial)
External connection	2 x cable entry M20x1.5
Internal connection (plug-in spring terminals)	0.2 ... 1.5 mm ²

Controls

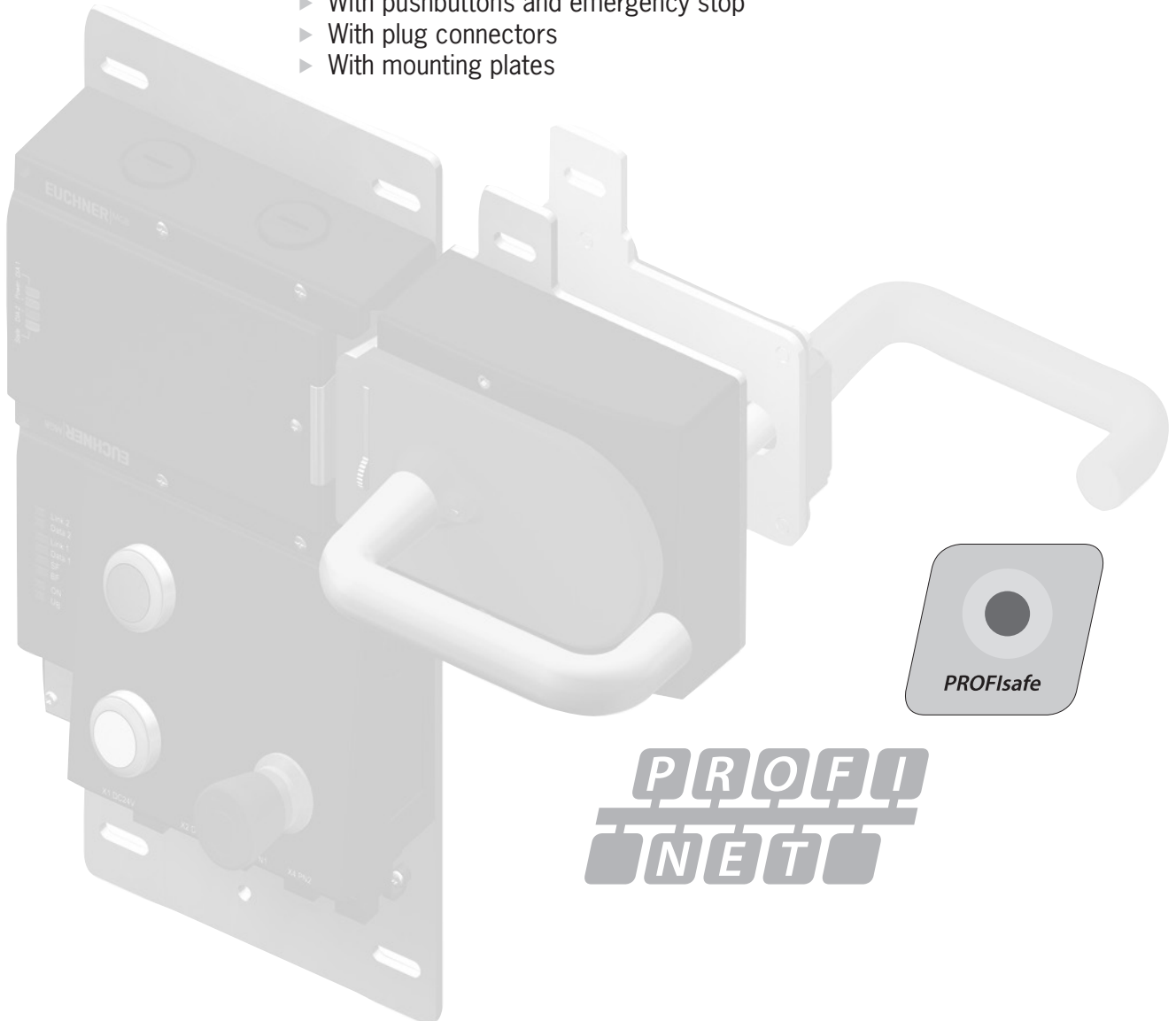
Parameter	Value
Mech. life	
- Pushbutton	1x10 ⁶
- Emergency stop	5x10 ⁴
- Selector switch	3x10 ⁵
- Key-operated switch	3x10 ⁴
Ambient temperature	-20 ... 55 °C
Degree of protection according to EN 60529	IP 65 (fitted), key-operated switch IP 54

Switching elements, LED

Parameter	Value
Mechanical life at 10 mA/24 V DC	
...-GU...	1x10 ⁶
...-GM...	5x10 ⁴
Ambient temperature	-20 ... 55 °C
Operating voltage	
- Switching elements	5 ... 35 V
- LED	24 V
Operating current	
- Switching elements	1 ... 100 mA
- LED	max. 30 mA permissible
Breaking capacity max.	250 mW
Connection	Connector 2.8 x 0.8 mm
Contact material	Au
Shock resistance according to IEC 60068-2-27	15 g
Vibration resistance IEC 60068-2-6	5 g (10 ... 500 Hz)
Positively driven ...GM...	According to IEC 60947-5-1 (positively driven NC contact)

Complete sets system family MGB-PN

- ▶ Profinet and Profisafe
- ▶ With pushbuttons and emergency stop
- ▶ With plug connectors
- ▶ With mounting plates



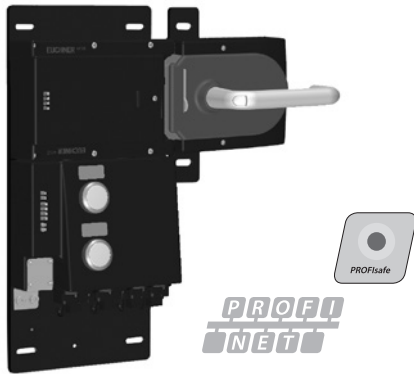
MGB-PN

Locking sets MGB-L1-PN... (guard locking by spring force)	86 - 96
with 2 controls and indicators	86
with 3 controls and indicators	90
with 4 controls and indicators	94
Locking sets MGB-L2-PN... (guard locking by solenoid force)	98 - 112
without controls and indicators	98
with 3 controls and indicators	102
with 6 controls and indicators	106
Control modules MGB-...-PN	114
Assignment of the terminal plugs	118
Technical data	120
Dimension drawing	121

Locking sets MGB-L1...-PN... (guard locking by spring force) with 2 controls or indicators



Cat. 4
PLe



Details

Profinet connection

Connection via push-pull plugs according to IEC 61076-3-117, variant 14.

Profinet RT switch

Point-to-point topology network structure due to integrated RT switch.

Flexible usage as interlocking or guard locking

By means of the corresponding evaluation of the safe device data by the control system, usage can be as either interlocking or guard locking (with or without monitoring).

Lens set

The color of the pushbutton can be selected using the lens set 120344 included.

Further information

- ▶ Dimension drawings see p. 121
- ▶ Technical data see p. 120
- ▶ Accessories and spare parts see p. 88
- ▶ www.euchner.com

- ▶ Integrated controls and indicators
- ▶ Pre-assembled on mounting plates
- ▶ Integrated Profinet RT switch

Ordering table

Modules in the set					Ordering data, set		
Version/configuration scheme Order no. module combination	Controls and indicators		Data ranges	Handle module Order no. separate module	Escape release Order no. separate module	Door hinge (Factory setting)	Order no./item
	S90 H90	S95 H95					
 121831 Incl. adhesive labels 			A	106049	-	Right	121832 MGB-L1HB-PNA-R-121832 (Modules pre-assembled on mounting plates)
	*)	*)					

* The color can be selected using the lens set included.

Data ranges

You will require the corresponding GSD file in GSDML format in order to integrate the MGB system:

GSDML-Vx.x-EUCHNER-MGB_110026-YYYYMMDD.xml

You will find the GSD file in the download area at www.euchner.com.

Prior to setup, the GSD file must be imported into the configuration software of the control system (see manual for your control system).

PROFINET data bytes

(unsafe input/output area)

A

Assignment in input area of the bus master

Slot 1/byte 0	-	-	S95.1	-	-	-	-	S90.1
Slot 1/byte 1	-	-	-	-	-	-	-	-
Slot 2/byte 0	ÜK	SK	-	-	-	R	R	T
Slot 3/byte 0	I24	-	-	-	-	I19	I18	I17
Slot 1/byte 0	Pushbutton S90 - S95 1st contact							
Slot 1/byte 1	Pushbutton S90 - S95 2nd contact							
Slot 2/byte 0	Locking module							
Slot 3/byte 0	Diagnostic module							

Assignment in output area of the bus master

Slot 1/byte 0	-	-	H95	-	-	-	-	H90
Slot 2/byte 0	-	-	-	-	-	-	-	Sol.
Slot 3/byte 0	-	-	-	-	-	-	O18	O17
Slot 1/byte 0	LEDs H90 - H95							
Slot 2/byte 0	Guard locking solenoid							
Slot 3/byte 0	Diagnostic module							

PROFIsafe data bytes

(safe input/output area)

A

Assignment of PROFIsafe in input area of the bus master

Byte n+0	-	-	-	SI5	SI4	SI3	-	-
Byte n+1	-	-	-	-	-	-	SI10	SI9
Byte n+2	PROFIsafe internal (control byte)							
Byte n+3	PROFIsafe internal (ser. no.)							
Byte n+4	PROFIsafe internal (CRC2)							
Byte n+5	PROFIsafe internal (CRC2)							
SI3	Door position (T)							
SI4	Bolt position (R)							
SI5	Guard locking (Z)							
SI9	SK (T AND R)							
SI10	ÜK (T AND R AND Z)							

Assignment of PROFIsafe in output area of the bus master

Byte n+0	-	-	-	-	-	-	-	S01
Byte n+1	-	-	-	-	-	-	-	-
Byte n+2	PROFIsafe internal (control byte)							
Byte n+3	PROFIsafe internal (ser. no.)							
Byte n+4	PROFIsafe internal (CRC2)							
Byte n+5	PROFIsafe internal (CRC2)							
S01	Guard locking solenoid							

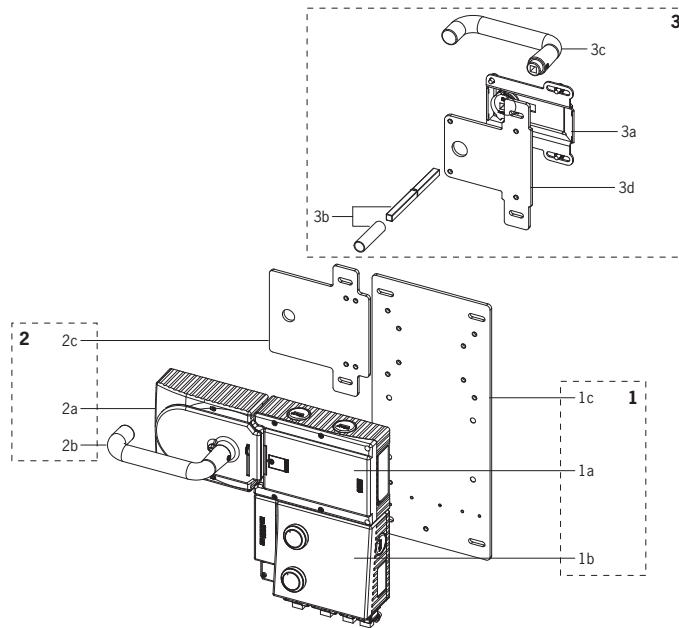
Locking sets MGB-L1...-PN... (guard locking by spring force) with 2 controls or indicators



Cat. 4
PLe



System components and spare parts



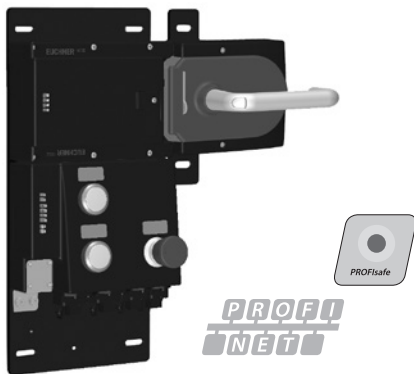
Ordering table for system components, spare parts and accessories

Notice: It is only possible to order spare parts that are given in the following ordering table with an order number.

Item	Designation	Use/description	Order No./item	
1	System unit MGB-L1B-... (guard locking by spring force)	For doors hinged on the left	121833 MGB-L1B-PNA-L-121833	
		For doors hinged on the right	121831 MGB-L1B-PNA-R-121831	
	comprising:			
	1a	- Evaluation module	-	
	1b	- Bus module	-	
1c	- Mounting plate	-		
2	Handle module MGB-H-... comprising:	For doors hinged on the left	106221 MGB-H-AA1A2-L-106221	
		For doors hinged on the right	106049 MGB-H-AA1A2-R-106049	
	2a	- Handle module	-	
	2b	- Door handle	Color silver 123926 MGB-A-DOORHANDLE-S2-123926	
	2c	- Mounting plate	For handle module MGB-H-... 109491 MGB-A-MOUNTINGPLATE-H-109491	
3	Escape release MGB-E-... comprising:		106051 MGB-E-A2-106051	
		3a	- Escape release	-
	3b	- Escape release shaft	Standard length 118 mm (square 8x8 mm + sleeve)	-
		- Long escape release shaft (instead of item 3b)	Length 250 mm (square 8x8 mm + sleeve 182 mm long)	106761 MGB-A-ESCAPERELEASESHAFT 250
	3c	- Door handle	Color red	110276 MGB-A-DOORHANDLE-R-110276
	3d	- Mounting plate	For escape release MGB-E-...	109492 MGB-A-MOUNTINGPLATE-E-109492



Locking sets MGB-L1...-PN... (guard locking by spring force) with 3 controls or indicators



- ▶ Integrated controls and indicators
- ▶ Pre-assembled on mounting plates
- ▶ Integrated Profinet RT switch

Details

Profinet connection

Connection via push-pull plugs according to IEC 61076-3-117, variant 14, or 7/8" plugs according to ANSI/B93.55M-1981 and M12 plugs according to IEC 61076-2-101.

Profinet RT switch

Point-to-point topology network structure due to integrated RT switch.

Flexible usage as interlocking or guard locking

By means of the corresponding evaluation of the safe device data by the control system, usage can be as either interlocking or guard locking (with or without monitoring).

Illuminated emergency stop

Emergency stop with illumination that can be controlled as required.

Lens set

The color of the pushbutton can be selected using the lens set 120344 included.

Further information

- ▶ Dimension drawings see p. 121
- ▶ Technical data see p. 120
- ▶ Accessories and spare parts see p. 93
- ▶ www.euchner.com

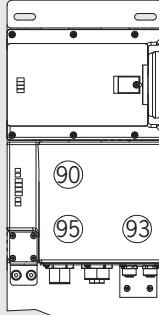



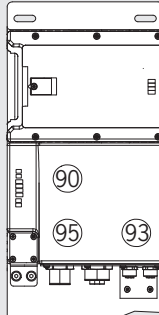
Ordering table

Modules in the set					Ordering data, set		
Version/configuration scheme Order no. module combination	Controls and indicators	Data ranges	Handle module Order no. separate module	Escape release Order no. separate module	Door hinge (factory setting)	Order no./item	
							Evaluation module and bus module
 121851 Incl. adhesive labels, push-pull plugs	S93	S90	S95	106049	Right	121852 MGB-L1HB-PNA-R-121852 (Modules pre-assembled on mounting plates)	
	H93	H90	H95				
 121855 Incl. adhesive labels, push-pull plugs	 STOP	 *)	 *)	106221	Left	121856 MGB-L1HB-PNA-L-121856 (Modules pre-assembled on mounting plates)	
	A						

* The color can be selected using the lens set included.

(Continued on next page)

Ordering table (continued)

Modules in the set				Ordering data, set				
Version/configuration scheme Order no. module combination	Controls and indicators			Data ranges	Handle module Order no. separate module	Escape release Order no. separate module	Door hinge (Factory setting)	Order no./item
	S93 H93	S90 H90	S95 H95					
<p>121857</p>  <p>Pre-assembled on mounting plate, incl. adhesive labels, 7/8" plugs and M12 plugs</p>		 <p>*)</p>	 <p>*)</p>	A	106049 Pre-assembled on mounting plate	-	Right	<p>121858 MGB-L1HB-PNA-R-121858</p>
<p>121861</p>  <p>Pre-assembled on mounting plate, incl. adhesive labels, 7/8" plugs and M12 plugs</p>					106221 Pre-assembled on mounting plate		Left	<p>121862 MGB-L1HB-PNA-L-121862</p>

* The color can be selected using the lens set included.

Locking sets MGB-L1...-PN... (guard locking by spring force) with 3 controls or indicators



Data ranges

You will require the corresponding GSD file in GSDML format in order to integrate the MGB system:
GSDML-Vx.x-EUCHNER-MGB_110026-YYYYMMDD.xml

You will find the GSD file in the download area at www.euchner.com.

Prior to setup, the GSD file must be imported into the configuration software of the control system (see manual for your control system).

PROFINET data bytes (unsafe input/output area)

PROFIsafe data bytes (safe input/output area)

A

Assignment in input area of the bus master

Slot 1/byte 0	-	-	S95.1	-	-	-	-	S90.1
Slot 1/byte 1	-	-	-	-	-	-	-	-
Slot 2/byte 0	-	-	-	-	-	-	-	S93
Slot 3/byte 0	ÜK	SK	-	-	-	R	R	T
Slot 4/byte 0	I24	-	-	-	-	I19	I18	I17
Slot 1/byte 0	Pushbutton S90 - S95 1st contact							
Slot 1/byte 1	Pushbutton S90 - S95 2nd contact							
Slot 2/byte 0	Emergency stop monitoring contact							
Slot 3/byte 0	Locking module							
Slot 4/byte 0	Diagnostic module							

Assignment in output area of the bus master

Slot 1/byte 0	-	-	H95	-	-	-	-	H90
Slot 2/byte 0	-	-	-	-	-	-	-	H93
Slot 3/byte 0	-	-	-	-	-	-	-	Sol.
Slot 4/byte 0	-	-	-	-	-	-	O18	O17
Slot 1/byte 0	LEDs H90 - H95							
Slot 2/byte 0	Emergency stop LED							
Slot 3/byte 0	Guard locking solenoid							
Slot 4/byte 0	Diagnostic module							

A

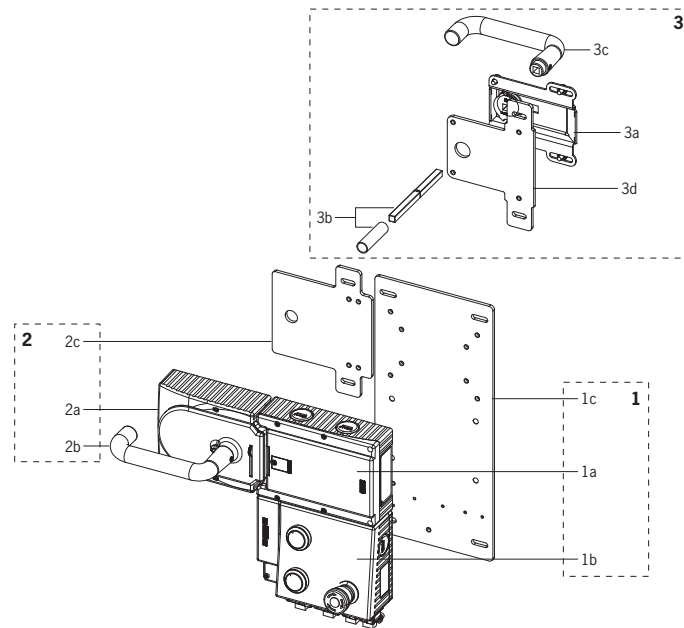
Assignment of PROFIsafe in input area of the bus master

Byte n+0	-	-	-	SI5	SI4	SI3	-	SI1
Byte n+1	-	-	-	-	-	-	SI10	SI9
Byte n+2	PROFIsafe internal (control byte)							
Byte n+3	PROFIsafe internal (ser. no.)							
Byte n+4	PROFIsafe internal (CRC2)							
Byte n+5	PROFIsafe internal (CRC2)							
SI1	Emergency stop S93							
SI3	Door position (T)							
SI4	Bolt position (R)							
SI5	Guard locking (Z)							
SI9	SK (T AND R)							
SI10	ÜK (T AND R AND Z)							

Assignment of PROFIsafe in output area of the bus master

Byte n+0	-	-	-	-	-	-	-	SO1
Byte n+1	-	-	-	-	-	-	-	-
Byte n+2	PROFIsafe internal (control byte)							
Byte n+3	PROFIsafe internal (ser. no.)							
Byte n+4	PROFIsafe internal (CRC2)							
Byte n+5	PROFIsafe internal (CRC2)							
SO1	Guard locking solenoid							

System components and spare parts



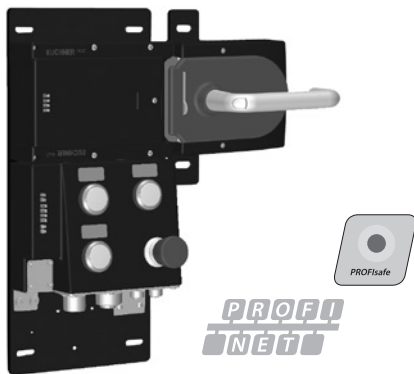
Ordering table for system components, spare parts and accessories

Notice: It is only possible to order spare parts that are given in the following ordering table with an order number.

Item	Designation	Use/description	Order No./item	
1	System unit MGB-L1B-... (guard locking by spring force)	For doors hinged on the left	121855 MGB-L1B-PNAL-121855	
		For doors hinged on the right	121861 MGB-L1B-PNAL-121861	
	comprising:			
	1a	- Evaluation module		-
1b	- Bus module		-	
1c	- Mounting plate			
2	Handle module MGB-H-... comprising:	For doors hinged on the left	106221 MGB-HAA1A2-L-106221	
		For doors hinged on the right	106049 MGB-HAA1A2-R-106049	
	2a	- Handle module		-
	2b	- Door handle	Color silver	123926 MGB-A-DOORHANDLE-S2-123926
2c	- Mounting plate	For handle module MGB-H-...	109491 MGB-A-MOUNTINGPLATE-H-109491	
3	Escape release MGB-E-... comprising:		106051 MGB-E-A2-106051	
		3a	- Escape release	-
	3b	- Escape release shaft	Standard length 118 mm (square 8x8 mm + sleeve)	-
		- Long escape release shaft (instead of item 3b)	Length 250 mm (square 8x8 mm + sleeve 182 mm long)	106761 MGB-A-ESCAPERELEASESHAFT 250
	3c	- Door handle	Color red	110276 MGB-A-DOORHANDLE-R-110276
3d	- Mounting plate	For escape release MGB-E-...	109492 MGB-A-MOUNTINGPLATE-E-109492	

MGB-PN

Locking sets MGB-L1...-PN... (guard locking by spring force) with 4 controls or indicators



- ▶ Integrated controls and indicators
- ▶ Pre-assembled on mounting plates
- ▶ Integrated Profinet RT switch

Details

Profinet connection

Connection via 7/8" plugs according to ANSI/B93.55M-1981 and M12 plugs according to IEC 61076-2-101.

Profinet RT switch

Point-to-point topology network structure due to integrated RT switch.

Flexible usage as interlocking or guard locking

By means of the corresponding evaluation of the safe device data by the control system, usage can be as either interlocking or guard locking (with or without monitoring).

Illuminated emergency stop

Emergency stop with illumination that can be controlled as required.

Lens set

The color of the pushbutton can be selected using the lens set 120344 included.

Multicode evaluation

Every suitable handle module is detected by the safety switch.

Further information

- ▶ Dimension drawings see p. 121
- ▶ Technical data see p. 120
- ▶ Accessories and spare parts see p. 96
- ▶ www.euchner.com

Ordering table

Modules in the set					Ordering data, set				
Version/configuration scheme Order no. module combination	Controls and indicators				Data ranges	Handle module Order no. separate module	Escape release Order no. separate module	Door hinge (factory setting)	Order no./item
	S93 H93	S90 H90	S92 H92	S95 H95					
121865 Incl. adhesive labels 					A	111838	-	Right	121866 MGB-L1HB-PNC-R-121866 (Modules pre-assembled on mounting plates)
121867 Incl. adhesive labels					A	111839	-	Left	121868 MGB-L1HB-PNC-L-121868 (Modules pre-assembled on mounting plates)

* The color can be selected using the lens set included.

Data ranges

You will require the corresponding GSD file in GSDML format in order to integrate the MGB system:
 GSDML-Vx.x-EUCHNER-MGB_110026-YYYYMMDD.xml

You will find the GSD file in the download area at www.euchner.com.

Prior to setup, the GSD file must be imported into the configuration software of the control system (see manual for your control system).

PROFINET data bytes (unsafe input/output area)



Assignment in input area of the bus master

Slot 1/byte 0	-	-	S95.1	-	-	S92.1	-	S90.1
Slot 1/byte 1	-	-	-	-	-	-	-	-
Slot 2/byte 0	-	-	-	-	-	-	-	S93
Slot 3/byte 0	ÜK	SK	-	-	-	R	R	T
Slot 4/byte 0	I24	-	-	-	-	I19	I18	I17
Slot 1/byte 0	Pushbutton S90 - S95 1st contact							
Slot 1/byte 1	Pushbutton S90 - S95 2nd contact							
Slot 2/byte 0	Emergency stop monitoring contact							
Slot 3/byte 0	Locking module							
Slot 4/byte 0	Diagnostic module							

Assignment in output area of the bus master

Slot 1/byte 0	-	-	H95	-	-	H92	-	H90
Slot 2/byte 0	-	-	-	-	-	-	-	H93
Slot 3/byte 0	-	-	-	-	-	-	-	Sol.
Slot 4/byte 0	-	-	-	-	-	-	O18	O17
Slot 1/byte 0	LEDs H90 - H95							
Slot 2/byte 0	Emergency stop LED							
Slot 3/byte 0	Guard locking solenoid							
Slot 4/byte 0	Diagnostic module							

PROFIsafe data bytes (safe input/output area)



Assignment of PROFIsafe in input area of the bus master

Byte n+0	-	-	-	SI5	SI4	SI3	-	SI1
Byte n+1	-	-	-	-	-	-	SI10	SI9
Byte n+2	PROFIsafe internal (control byte)							
Byte n+3	PROFIsafe internal (ser. no.)							
Byte n+4	PROFIsafe internal (CRC2)							
Byte n+5	PROFIsafe internal (CRC2)							
SI1	Emergency stop S93							
SI3	Door position (T)							
SI4	Bolt position (R)							
SI5	Guard locking (Z)							
SI9	SK (T AND R)							
SI10	ÜK (T AND R AND Z)							

Assignment of PROFIsafe in output area of the bus master

Byte n+0	-	-	-	-	-	-	-	S01
Byte n+1	-	-	-	-	-	-	-	-
Byte n+2	PROFIsafe internal (control byte)							
Byte n+3	PROFIsafe internal (ser. no.)							
Byte n+4	PROFIsafe internal (CRC2)							
Byte n+5	PROFIsafe internal (CRC2)							
S01	Guard locking solenoid							

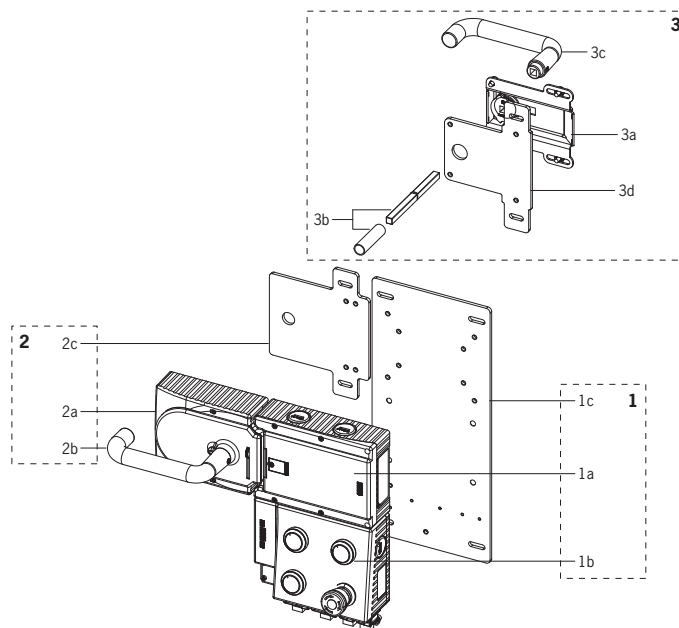
Locking sets MGB-L1...-PN... (guard locking by spring force) with 4 controls or indicators



Cat. 4
PLe



System components and spare parts



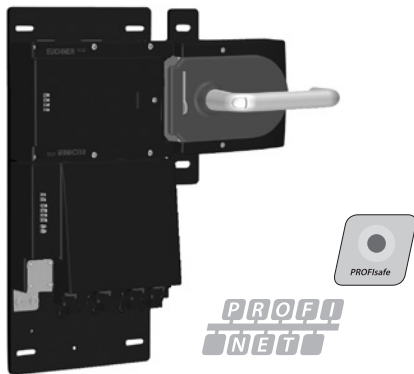
Ordering table for system components, spare parts and accessories

Notice: It is only possible to order spare parts that are given in the following ordering table with an order number.

Item	Designation	Use/description	Order No./item	
1	System unit MGB-L1B-... (guard locking by spring force)	For doors hinged on the left	121867 MGB-L1B-PNC-L-121867	
		For doors hinged on the right	121865 MGB-L1B-PNC-R-121865	
	comprising:			
	1a	- Evaluation module	-	
	1b	- Bus module	-	
1c	- Mounting plate	-		
2	Handle module MGB-H-... comprising:	For doors hinged on the left	111839 MGB-H-AA1A6-L-111839	
		For doors hinged on the right	111838 MGB-H-AA1A6-R-111838	
	2a	- Handle module	-	
	2b	- Door handle	Color silver 123926 MGB-A-DOORHANDLE-S2-123926	
	2c	- Mounting plate	For handle module MGB-H-... 109491 MGB-A-MOUNTINGPLATE-H-109491	
3	Escape release MGB-E-... comprising:		106051 MGB-E-A2-106051	
		3a	- Escape release	-
	3b	- Escape release shaft	Standard length 118 mm (square 8x8 mm + sleeve)	-
		- Long escape release shaft (instead of item 3b)	Length 250 mm (square 8x8 mm + sleeve 182 mm long)	106761 MGB-A-ESCAPERELEASESHAFT 250
	3c	- Door handle	Color red	110276 MGB-A-DOORHANDLE-R-110276
	3d	- Mounting plate	For escape release MGB-E-...	109492 MGB-A-MOUNTINGPLATE-E-109492



Locking sets MGB-L2...-PN... (guard locking by solenoid force) without controls or indicators



Details

Profinet connection

Connection via push-pull plugs according to IEC 61076-3-117, variant 14.

Profinet RT switch

Point-to-point topology network structure due to integrated RT switch.

Flexible usage as interlocking or guard locking

By means of the corresponding evaluation of the safe device data by the control system, usage can be as either interlocking or guard locking (with or without monitoring).

Further information

- ▶ Dimension drawings see p. 121
- ▶ Technical data see p. 120
- ▶ Accessories and spare parts see p. 100
- ▶ www.euchner.com

- ▶ Pre-assembled on mounting plates
- ▶ Integrated Profinet RT switch

Ordering table

Modules in the set					Ordering data, set
Version/configuration scheme Order no. module combination	Controls and indicators	Data ranges	Handle module Order no. separate module	Escape release Order no. separate module	Door hinge (Factory setting)
114044 			106049		Right
114045 			106221		Left

Data ranges

You will require the corresponding GSD file in GSDML format in order to integrate the MGB system:
GSDML-Vx.x-EUCHNER-MGB_110026-YYYYMMDD.xml

You will find the GSD file in the download area at www.euchner.com.

Prior to setup, the GSD file must be imported into the configuration software of the control system (see manual for your control system).

PROFINET data bytes
(unsafe input/output area)



Assignment in input area of the bus master

Slot 1/byte 1	ÜK	SK	-	-	-	R	R	T
Slot 2/byte 1	I24	-	-	-	-	-	I18	I17
Slot 1/byte 1	Locking module							
Slot 2/byte 1	Diagnostic module							

Assignment in output area of the bus master

Slot 1/byte 1	-	-	-	-	-	-	-	Sol.
Slot 2/byte 1	-	-	-	-	-	-	O18	O17
Slot 1/byte 1	Guard locking solenoid							
Slot 2/byte 1	Diagnostic module							

PROFIsafe data bytes
(safe input/output area)



Assignment of PROFIsafe in input area of the bus master

Byte n+0	-	-	-	SI5	SI4	SI3	-	-
Byte n+1	-	-	-	-	-	-	SI10	SI9
Byte n+2	PROFIsafe internal (control byte)							
Byte n+3	PROFIsafe internal (ser. no.)							
Byte n+4	PROFIsafe internal (CRC2)							
Byte n+5	PROFIsafe internal (CRC2)							
SI3	Door position (T)							
SI4	Bolt position (R)							
SI5	Guard locking (Z)							
SI9	SK (T AND R)							
SI10	ÜK (T AND R AND Z)							

Assignment of PROFIsafe in output area of the bus master

Byte n+0	-	-	-	-	-	-	-	S01
Byte n+1	-	-	-	-	-	-	-	-
Byte n+2	PROFIsafe internal (control byte)							
Byte n+3	PROFIsafe internal (ser. no.)							
Byte n+4	PROFIsafe internal (CRC2)							
Byte n+5	PROFIsafe internal (CRC2)							
S01	Guard locking solenoid							

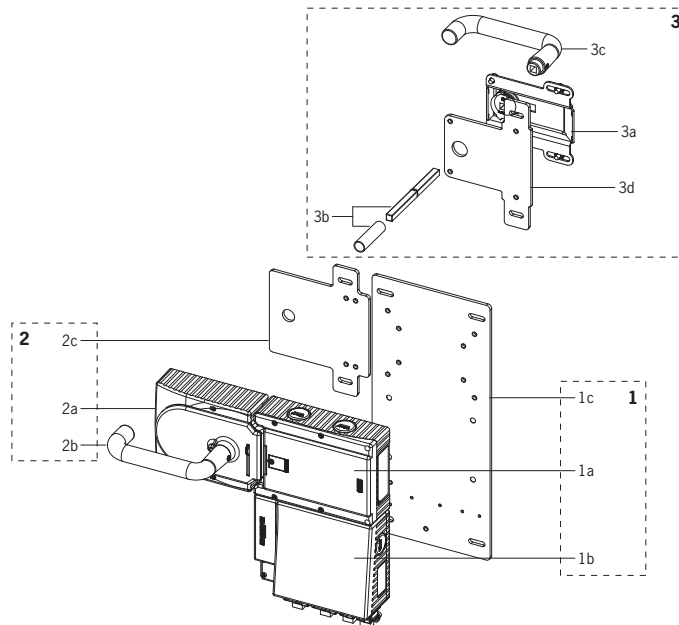
Locking sets MGB-L2...-PN... (guard locking by solenoid force) without controls or indicators



Cat. 4
PLe



System components and spare parts

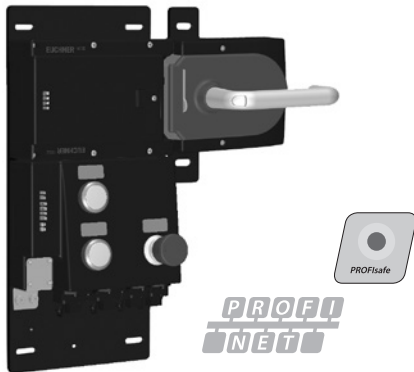


Ordering table for system components, spare parts and accessories

Notice: It is only possible to order spare parts that are given in the following ordering table with an order number.

Item	Designation	Use/description	Order No./item	
1	System unit MGB-L2B-... (guard locking by solenoid force)	For doors hinged on the left	114044 MGB-L2B-PNA-L-114044	
		For doors hinged on the right	114045 MGB-L2B-PNA-R-114045	
	comprising:			
	1a	- Evaluation module	-	
	1b	- Bus module	-	
	1c	- Mounting plate		
2	Handle module MGB-H-... comprising:	For doors hinged on the left	106221 MGB-HAA1A2-L-106221	
		For doors hinged on the right	106049 MGB-HAA1A2-R-106049	
	2a	- Handle module	-	
	2b	- Door handle	Color silver 123926 MGB-A-DOORHANDLE-S2-123926	
	2c	- Mounting plate	For handle module MGB-H-... 109491 MGB-A-MOUNTINGPLATE-H-109491	
3	Escape release MGB-E-... comprising:		106051 MGB-E-A2-106051	
		3a	- Escape release	-
	3b	- Escape release shaft	Standard length 118 mm (square + sleeve)	-
		- Long escape release shaft (instead of item 3b)	Length 250 mm (square 8x8 mm + sleeve 182 mm long)	106761 MGB-A-ESCAPERELEASESHAFT 250
	3c	- Door handle	Color red	110276 MGB-A-DOORHANDLE-R-110276
	3d	- Mounting plate	For escape release MGB-E-...	109492 MGB-A-MOUNTINGPLATE-E-109492

Locking sets MGB-L2...-PN... (guard locking by solenoid force) with 3 controls or indicators



Details

Profinet connection

Connection via push-pull plugs according to IEC 61076-3-117, variant 14, or 7/8" plugs according to ANSI/B93.55M-1981 and M12 plugs according to IEC 61076-2-101.

Profinet RT switch

Point-to-point topology network structure due to integrated RT switch.

Flexible usage as interlocking or guard locking

By means of the corresponding evaluation of the safe device data by the control system, usage can be as either interlocking or guard locking (with or without monitoring).

Illuminated emergency stop

Emergency stop with illumination that can be controlled as required.

Lens set

The color of the pushbuttons can be selected using the lens set 120344 included.

Further information

- ▶ Dimension drawings see p. 121
- ▶ Technical data see p. 120
- ▶ Accessories and spare parts see p. 105
- ▶ www.euchner.com

- ▶ Integrated controls and indicators
- ▶ Pre-assembled on mounting plates
- ▶ Integrated Profinet RT switch

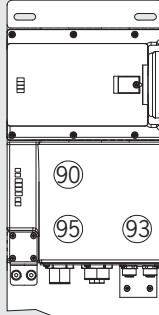



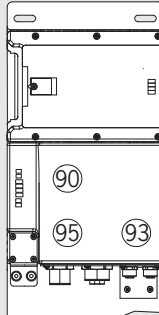



Ordering table

Modules in the set					Ordering data, set		
Version/configuration scheme Order no. module combination	Controls and indicators	Data ranges	Handle module Order no. separate module	Escape release Order no. separate module	Door hinge (factory setting)	Order no./item	
							Evaluation module and bus module
121848 Incl. adhesive labels, push-pull plugs	S93	S90	106049	-	Right	121849 MGB-L2HB-PNA-R-121849 (Modules pre-assembled on mounting plates)	
	H93	H90					A
121853 Incl. adhesive labels, push-pull plugs	 	*)	106221	-	Left	121854 MGB-L2HB-PNA-L-121854 (Modules pre-assembled on mounting plates)	

* The color can be selected using the lens set included.

(Continued on next page)

Ordering table (continued)

Modules in the set				Ordering data, set				
Version/configuration scheme Order no. module combination	Controls and indicators			Data ranges	Handle module Order no. separate module	Escape release Order no. separate module	Door hinge (Factory setting)	Order no./item
	S93 H93	S90 H90	S95 H95					
<p>121859</p>  <p>Pre-assembled on mounting plate, incl. adhesive labels, 7/8" plugs and M12 plugs</p>		 <p>*)</p>	 <p>*)</p>	A	106049 Pre-assembled on mounting plate	-	Right	<p>121860 MGB-L2HB-PNA-R-121860</p>
<p>121863</p>  <p>Pre-assembled on mounting plate, incl. adhesive labels, 7/8" plugs and M12 plugs</p>		 <p>*)</p>	 <p>*)</p>	A	106221 Pre-assembled on mounting plate	-	Left	<p>121864 MGB-L2HB-PNA-L-121864</p>

* The color can be selected using the lens set included.

Locking sets MGB-L2...-PN... (guard locking by solenoid force) with 3 controls or indicators



Cat. 4
PLe



Data ranges

You will require the corresponding GSD file in GSDML format in order to integrate the MGB system:
GSDML-Vx.x-EUCHNER-MGB_110026-YYYYMMDD.xml

You will find the GSD file in the download area at www.euchner.com.

Prior to setup, the GSD file must be imported into the configuration software of the control system (see manual for your control system).

PROFINET data bytes

(unsafe input/output area)

A

Assignment in input area of the bus master

Slot 1/byte 0	-	-	S95.1	-	-	-	-	S90.1
Slot 1/byte 1	-	-	-	-	-	-	-	-
Slot 2/byte 0	-	-	-	-	-	-	-	S93
Slot 3/byte 0	ÜK	SK	-	-	-	R	R	T
Slot 4/byte 0	I24	-	-	-	-	I19	I18	I17
Slot 1/byte 0	Pushbutton S90 - S95 1st contact							
Slot 1/byte 1	Pushbutton S90 - S95 2nd contact							
Slot 2/byte 0	Emergency stop monitoring contact							
Slot 3/byte 0	Locking module							
Slot 4/byte 0	Diagnostic module							

Assignment in output area of the bus master

Slot 1/byte 0	-	-	H95	-	-	-	-	H90
Slot 2/byte 0	-	-	-	-	-	-	-	H93
Slot 3/byte 0	-	-	-	-	-	-	-	Sol.
Slot 4/byte 0	-	-	-	-	-	-	018	017
Slot 1/byte 0	LEDs H90 - H95							
Slot 2/byte 0	Emergency stop LED							
Slot 3/byte 0	Guard locking solenoid							
Slot 4/byte 0	Diagnostic module							

PROFIsafe data bytes

(safe input/output area)

A

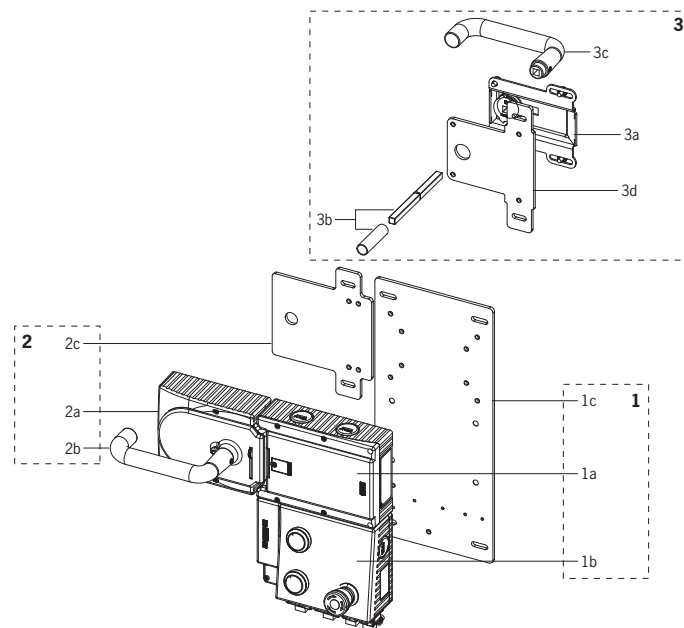
Assignment of PROFIsafe in input area of the bus master

Byte n+0	-	-	-	SI5	SI4	SI3	-	SI1
Byte n+1	-	-	-	-	-	-	SI10	SI9
Byte n+2	PROFIsafe internal (control byte)							
Byte n+3	PROFIsafe internal (ser. no.)							
Byte n+4	PROFIsafe internal (CRC2)							
Byte n+5	PROFIsafe internal (CRC2)							
SI1	Emergency stop S93							
SI3	Door position (T)							
SI4	Bolt position (R)							
SI5	Guard locking (Z)							
SI9	SK (T AND R)							
SI10	ÜK (T AND R AND Z)							

Assignment of PROFIsafe in output area of the bus master

Byte n+0	-	-	-	-	-	-	-	S01
Byte n+1	-	-	-	-	-	-	-	-
Byte n+2	PROFIsafe internal (control byte)							
Byte n+3	PROFIsafe internal (ser. no.)							
Byte n+4	PROFIsafe internal (CRC2)							
Byte n+5	PROFIsafe internal (CRC2)							
S01	Guard locking solenoid							

System components and spare parts

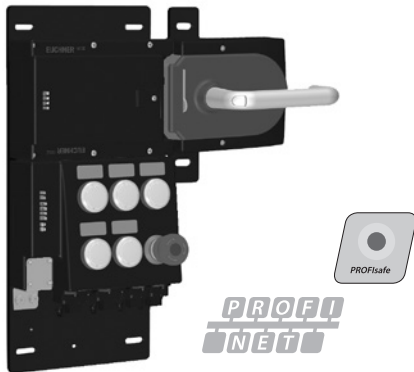


Ordering table for system components, spare parts and accessories

Notice: It is only possible to order spare parts that are given in the following ordering table with an order number.

Item	Designation	Use/description	Order No./item	
1	System unit MGB-L2B-... (guard locking by solenoid force)	For doors hinged on the left	121853 MGB-L2B-PNA-L-121853	
		For doors hinged on the right	121863 MGB-L2B-PNA-L-121863	
	comprising:			
		1a - Evaluation module		-
		1b - Bus module		-
1c - Mounting plate				
2	Handle module MGB-H-... comprising:	For doors hinged on the left	106221 MGB-H-AA1A2-L-106221	
		For doors hinged on the right	106049 MGB-H-AA1A2-R-106049	
	2a - Handle module		-	
	2b - Door handle	Color silver	123926 MGB-A-DOORHANDLE-S2-123926	
	2c - Mounting plate	For handle module MGB-H-...	109491 MGB-A-MOUNTINGPLATE-H-109491	
3	Escape release MGB-E-... comprising:		106051 MGB-E-A2-106051	
		3a - Escape release		-
	3b - Escape release shaft	Standard length 118 mm (square + sleeve)	-	
		Length 250 mm (square 8x8 mm + sleeve 182 mm long)	106761 MGB-A-ESCAPERELEASESHAFT 250	
	3c - Door handle	Color red	110276 MGB-A-DOORHANDLE-R-110276	
	3d - Mounting plate	For escape release MGB-E-...	109492 MGB-A-MOUNTINGPLATE-E-109492	

Locking sets MGB-L2...-PN... (guard locking by solenoid force) with 6 controls or indicators



Details

Profinet connection

Connection via push-pull plugs according to IEC 61076-3-117, variant 14.

Profinet RT switch

Point-to-point topology network structure due to integrated RT switch.

Flexible usage as interlocking or guard locking

By means of the corresponding evaluation of the safe device data by the control system, usage can be as either interlocking or guard locking (with or without monitoring).

Illuminated emergency stop

Emergency stop with illumination that can be controlled as required.

Lens set

The color of the pushbuttons can be selected using the lens set 120344 included.

Further information

- ▶ Dimension drawings see p. 121
- ▶ Technical data see p. 120
- ▶ Accessories and spare parts see p. 108
- ▶ www.euchner.com

- ▶ Integrated controls and indicators
- ▶ Pre-assembled on mounting plates
- ▶ Integrated Profinet RT switch

Ordering table

Modules in the set							Ordering data, set				
Version/configuration scheme Order no. module combination	Controls and indicators						Data ranges	Handle module Order no. separate module	Escape release Order no. separate module	Door hinge (factory setting)	Order no./item
	S93 H93	S90 H90	S91 H91	S92 H92	S94 H94	S95 H94					
 121836 Incl. adhesive labels							118838	-	Right	121837 MGB-L2HB-PNA-R-121837 (Modules pre-assembled on mounting plates)	
		⊗*)	⊗*)	⊗*)	⊗*)	⊗*)					A
 121838 Incl. adhesive labels							118839	-	Left	121839 MGB-L2HB-PNA-L-121839 (Modules pre-assembled on mounting plates)	
	⊗*)	⊗*)	⊗*)	⊗*)	⊗*)	A					

* The color can be selected using the lens set included.

Data ranges

You will require the corresponding GSD file in GSDML format in order to integrate the MGB system:
GSDML-Vx.x-EUCHNER-MGB_110026-YYYYMMDD.xml

You will find the GSD file in the download area at www.euchner.com.

Prior to setup, the GSD file must be imported into the configuration software of the control system (see manual for your control system).

PROFINET data bytes (unsafe input/output area)

A

Assignment in input area of the bus master

Slot 1/byte 0	–	–	S95.1	S94.1	–	S92.1	S91.1	S90.1
Slot 1/byte 1	–	–	–	–	–	–	–	–
Slot 2/byte 0	–	–	–	–	–	–	–	S93
Slot 3/byte 0	ÜK	SK	–	–	–	R	R	T
Slot 4/byte 0	I24	–	–	–	–	I19	I18	I17
Slot 1/byte 0	Pushbutton S90 - S95 1st contact							
Slot 1/byte 1	Pushbutton S90 - S95 2nd contact							
Slot 2/byte 0	Emergency stop monitoring contact							
Slot 3/byte 0	Locking module							
Slot 4/byte 0	Diagnostic module							

Assignment in output area of the bus master

Slot 1/byte 0	–	–	H95	H94	–	H92	H91	H90
Slot 2/byte 0	–	–	–	–	–	–	–	H93
Slot 3/byte 0	–	–	–	–	–	–	–	Sol.
Slot 4/byte 0	–	–	–	–	–	–	O18	O17
Slot 1/byte 0	LEDs H90 - H95							
Slot 2/byte 0	Emergency stop LED							
Slot 3/byte 0	Guard locking solenoid							
Slot 4/byte 0	Diagnostic module							

PROFIsafe data bytes (safe input/output area)

A

Assignment of PROFIsafe in input area of the bus master

Byte n+0	–	–	–	SI5	SI4	SI3	–	SI1
Byte n+1	–	–	–	–	–	–	SI10	SI9
Byte n+2	PROFIsafe internal (control byte)							
Byte n+3	PROFIsafe internal (ser. no.)							
Byte n+4	PROFIsafe internal (CRC2)							
Byte n+5	PROFIsafe internal (CRC2)							
SI1	Emergency stop S93							
SI3	Door position (T)							
SI4	Bolt position (R)							
SI5	Guard locking (Z)							
SI9	SK (T AND R)							
SI10	ÜK (T AND R AND Z)							

Assignment of PROFIsafe in output area of the bus master

Byte n+0	–	–	–	–	–	–	–	S01
Byte n+1	–	–	–	–	–	–	–	–
Byte n+2	PROFIsafe internal (control byte)							
Byte n+3	PROFIsafe internal (ser. no.)							
Byte n+4	PROFIsafe internal (CRC2)							
Byte n+5	PROFIsafe internal (CRC2)							
S01	Guard locking solenoid							

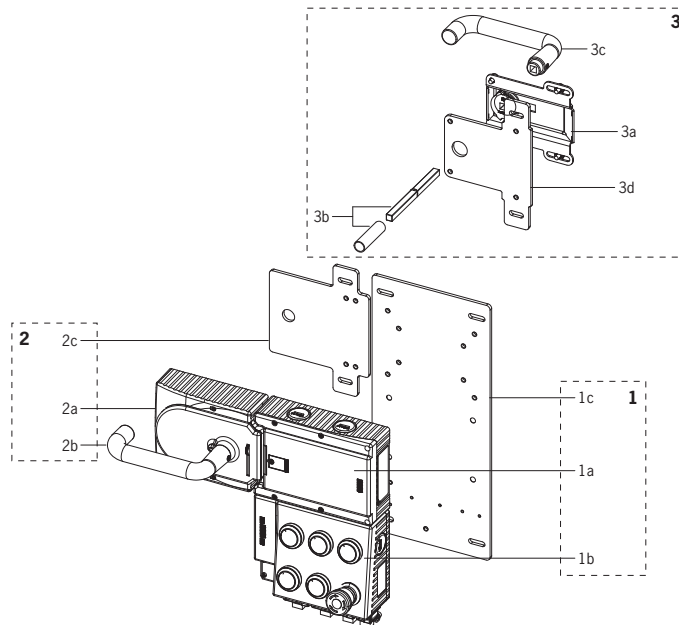
Locking sets MGB-L2...-PN... (guard locking by solenoid force) with 6 controls or indicators



Cat. 4
PLe



System components and spare parts



Ordering table for system components, spare parts and accessories

Notice: It is only possible to order spare parts that are given in the following ordering table with an order number.

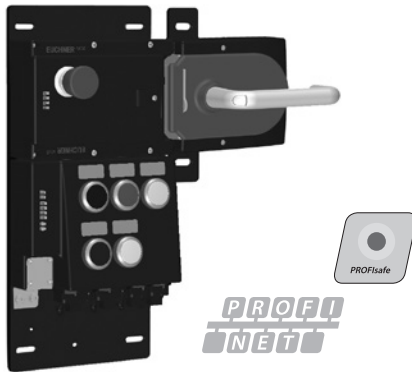
Item	Designation	Use/description	Order No./item	
1	System unit MGB-L2B-... (guard locking by spring force)	For doors hinged on the left	121838 MGB-L2B-PNA-L-121838	
		For doors hinged on the right	121836 MGB-L2B-PNA-R-121836	
	comprising:			
	1a	- Evaluation module		-
1b	- Bus module		-	
1c	- Mounting plate			
2	Handle module MGB-H-... comprising:	For doors hinged on the left	111839 MGB-H-AA1A6-L-111839	
		For doors hinged on the right	111838 MGB-H-AA1A6-R-111838	
	2a	- Handle module		-
	2b	- Door handle	Color silver	123926 MGB-A-DOORHANDLE-S2-123926
2c	- Mounting plate	For handle module MGB-H-...	109491 MGB-A-MOUNTINGPLATE-H-109491	
3	Escape release MGB-E-... comprising:		106051 MGB-E-A2-106051	
		3a	- Escape release	-
	3b	- Escape release shaft	Standard length 118 mm (square 8x8 mm + sleeve)	-
		- Long escape release shaft (instead of item 3b)	Length 250 mm (square 8x8 mm + sleeve 182 mm long)	106761 MGB-A-ESCAPERELEASESHAFT 250
	3c	- Door handle	Color red	110276 MGB-A-DOORHANDLE-R-110276
3d	- Mounting plate	For escape release MGB-E-...	109492 MGB-A-MOUNTINGPLATE-E-109492	



Locking sets MGB-L2...-PN... (guard locking by solenoid force) with 6 controls or indicators



Cat. 4
PLe



Details

Profinet connection

Connection via push-pull plugs according to IEC 61076-3-117, variant 14.

Profinet RT switch

Point-to-point topology network structure due to integrated RT switch.

Flexible usage as interlocking or guard locking

By means of the corresponding evaluation of the safe device data by the control system, usage can be as either interlocking or guard locking (with or without monitoring).

Illuminated emergency stop

Emergency stop with illumination that can be controlled as required.

Further information

- ▶ Dimension drawings see p. 121
- ▶ Technical data see p. 120
- ▶ Accessories and spare parts see p. 112
- ▶ www.euchner.com

- ▶ Integrated controls and indicators
- ▶ Pre-assembled on mounting plates
- ▶ Integrated Profinet RT switch

Ordering table

Modules in the set							Ordering data, set				
Version/configuration scheme Order no. module combination	Controls and indicators						Data ranges	Handle module Order no. separate module	Escape release Order no. separate module	Door hinge (Factory setting)	Order no./item
	S1 H1	S90	S91	H92	S94 H94	S95 H94					
113133 Incl. adhesive labels							106049			Right	113134 MGB-L2HB-PNA-R-113134 (Modules pre-assembled on mounting plates)
PN 113990 Incl. adhesive labels		gn	rd	ye	wh	bu	A	106221		Left	113991 MGB-L2HB-PNA-L-113991 (Modules pre-assembled on mounting plates)

Data ranges

You will require the corresponding GSD file in GSDML format in order to integrate the MGB system:
GSDML-Vx.x-EUCHNER-MGB_110026-YYYYMMDD.xml

You will find the GSD file in the download area at www.euchner.com.

Prior to setup, the GSD file must be imported into the configuration software of the control system (see manual for your control system).

PROFINET data bytes (unsafe input/output area)



Assignment in input area of the bus master

Slot 1/byte 1	-	-	S95.1	S94.1	-	-	S91.1	S90.1
Slot 1/byte 2	-	-	-	-	-	-	-	-
Slot 2/byte 1	-	-	-	-	-	-	-	S1
Slot 4/byte 1	I24	-	-	-	-	I19	I18	I17
Slot 1/byte 1	Pushbutton S90 - S95 1st contact							
Slot 1/byte 2	Pushbutton S90 - S95 2nd contact							
Slot 2/byte 1	Emergency stop monitoring contact							
Slot 4/byte 1	Diagnostic module							

Assignment in output area of the bus master

Slot 1/byte 1	-	-	H95	H94	-	H92	-	-
Slot 2/byte 1	-	-	-	-	-	-	-	H1
Slot 3/byte 1	-	-	-	-	-	-	-	Sol.
Slot 4/byte 1	-	-	-	-	-	-	O18	O17
Slot 1/byte 1	LEDs H90 - H95							
Slot 2/byte 1	Emergency stop LED							
Slot 3/byte 1	Guard locking solenoid							
Slot 4/byte 1	Diagnostic module							

PROFIsafe data bytes (safe input/output area)



Assignment of PROFIsafe in input area of the bus master

Byte n+0	-	-	-	SI5	SI4	SI3	-	SI1
Byte n+1	-	-	-	-	-	-	SI10	SI9
Byte n+2	PROFIsafe internal (control byte)							
Byte n+3	PROFIsafe internal (ser. no.)							
Byte n+4	PROFIsafe internal (CRC2)							
Byte n+5	PROFIsafe internal (CRC2)							
SI1	Emergency stop S1							
SI3	Door position (T)							
SI4	Bolt position (R)							
SI5	Guard locking (Z)							
SI9	SK (T AND R)							
SI10	ÜK (T AND R AND Z)							

Assignment of PROFIsafe in output area of the bus master

Byte n+0	-	-	-	-	-	-	-	S01
Byte n+1	-	-	-	-	-	-	-	-
Byte n+2	PROFIsafe internal (control byte)							
Byte n+3	PROFIsafe internal (ser. no.)							
Byte n+4	PROFIsafe internal (CRC2)							
Byte n+5	PROFIsafe internal (CRC2)							
S01	Guard locking solenoid							

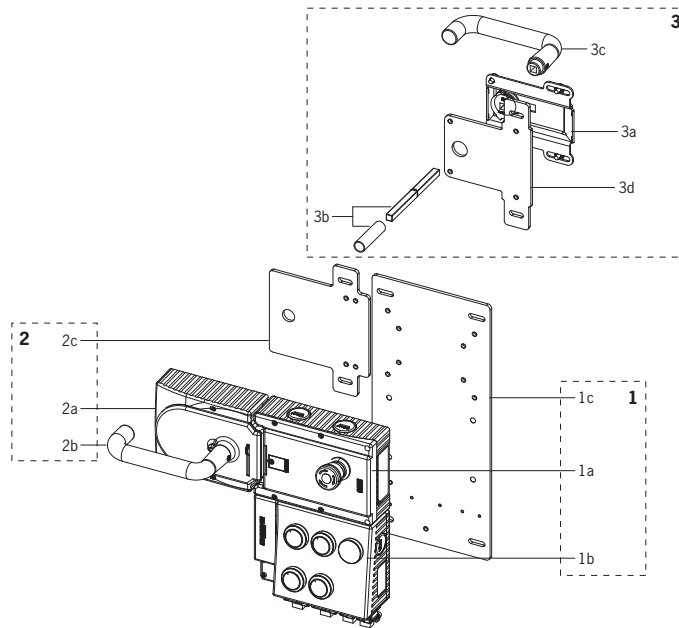
Locking sets MGB-L2...-PN... (guard locking by solenoid force) with 6 controls or indicators



Cat. 4
PLe



System components and spare parts



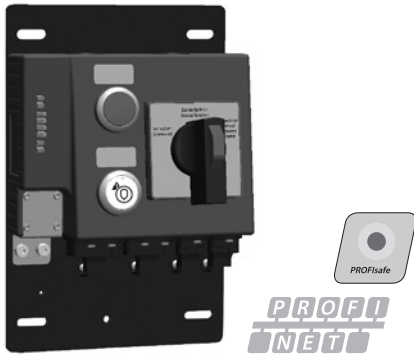
Ordering table for system components, spare parts and accessories

Notice: It is only possible to order spare parts that are given in the following ordering table with an order number.

Item	Designation	Use/description	Order No./item	
1	System unit MGB-L2B-... (guard locking by solenoid force)	For doors hinged on the left	113990 MGB-L2B-PNA-L-113990	
		For doors hinged on the right	113133 MGB-L2B-PNA-R-113133	
	comprising:			
	1a	- Evaluation module	-	
	1b	- Bus module	-	
	1c	- Mounting plate		
2	Handle module MGB-H-... comprising:	For doors hinged on the left	106221 MGB-H-AA1A2-L-106221	
		For doors hinged on the right	106049 MGB-H-AA1A2-R-106049	
	2a	- Handle module	-	
	2b	- Door handle	Color silver 123926 MGB-A-DOORHANDLE-S2-123926	
	2c	- Mounting plate	For handle module MGB-H-... 109491 MGB-A-MOUNTINGPLATE-H-109491	
3	Escape release MGB-E-... comprising:		106051 MGB-E-A2-106051	
		3a	- Escape release	-
	3b	- Escape release shaft	Standard length 118 mm (square + sleeve)	-
		- Long escape release shaft (instead of item 3b)	Length 250 mm (square 8x8 mm + sleeve 182 mm long)	106761 MGB-A-ESCAPERELEASESHAFT 250
	3c	- Door handle	Color red	110276 MGB-A-DOORHANDLE-R-110276
	3d	- Mounting plate	For escape release MGB-E-...	109492 MGB-A-MOUNTINGPLATE-E-109492



Control modules MGB-...-PN



- ▶ Pre-assembled on mounting plates
- ▶ Integrated Profinet RT switch

Details

Profinet connection

Connection via push-pull plugs according to IEC 61076-3-117, variant 14.

Profinet RT switch

Point-to-point topology network structure due to integrated RT switch.

Selector switch

- ▶ Selector switch with 3 positions (form V, 2x45°). The switch latches in all three positions.
- ▶ Selector switch illuminated with 3 positions (form V, 2x60°). The switch latches in three positions. Switch position only left and right. Both contacts are open in center position.

Further information


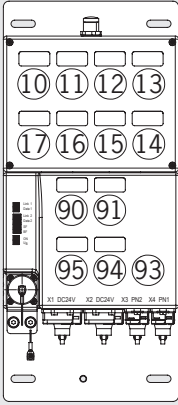













- ▶ Dimension drawings see p. 121
- ▶ Technical data see p. 120
- ▶ Accessories and spare parts see p. 63
- ▶ www.euchner.com

Ordering table

Bus module and/or control module		Controls and indicators							Data ranges	Order no./item
Version/configuration scheme	H90	S92 H92	S91	-	-	-	-	-		
<p>PN</p> <p>Pre-assembled on mounting plate, incl. adhesive labels</p>			Form V 2x45° 	-	-	-	-	-	A	123759 MGB-B-A1W2A2- PN-123759

(Continued on next page)

Ordering table (continued)

Bus module and/or control module 		Controls and indicators								Data ranges	Order no./item
Version/configuration scheme											
 <p>Pre-assembled on mounting plate, plug connector X14 for enabling switch ZSB077029, socket X6 for stacklight indicator, incl. adhesive labels</p>	S10	S11	S12	S13	S14	S15	S16	S17	B	114744 MGB-CB-PN-114744	
	H10	H11	H12	H13	H14	H15	H16	H17			
	 wh	 wh	 wh	 wh	Form V, 2x60°  1 0 2	Form V, 2x60°  1 0 2	Form V, 2x60°  1 0 2	Form V, 2x60°  1 0 2			
	S93	S90	S91	S94	S95	-	-	-			
	H90	H91	H94	H95	-	-	-				
		 wh	 wh	Form V, 2x60°  1 0 2	Form V, 2x60°  1 0 2	-	-	-			

MGB-PN

Control modules MGB-...-PN

Data ranges

You will require the corresponding GSD file in GSDML format in order to integrate the MGB system:

GSDML-Vx.x-EUCHNER-MGB_110026-YYYYMMDD.xml

You will find the GSD file in the download area at www.euchner.com.

Prior to setup, the GSD file must be imported into the configuration software of the control system (see manual for your control system).

PROFINET data bytes

(unsafe input/output area)

A

With data structure A

Assignment in input area of the bus master

Slot 1/byte 0	-	-	-	-	-	-	-	-
Slot 1/byte 1	-	-	-	-	S92	-	-	-
Slot 1/byte 2	-	-	I22	-	-	-	-	I17
Slot 1/byte 1	Pushbutton S92							
Slot 1/byte 2	Diagnostic module							

Assignment in output area of the bus master

Slot 1/byte 0	-	-	-	-	-	-	-	-
Slot 1/byte 1	-	-	-	-	H92	H90	-	-
Slot 1/byte 2	-	-	-	-	-	-	-	O17
Slot 1/byte 1	LEDs H91 and H92							
Slot 1/byte 2	Acknowledgment							

With data structure C

Assignment in input area of the bus master

Slot 1/byte 0	-	-	-	-	-	-	S92	-	-
Slot 1/byte 1	-	-	-	-	-	-	-	-	-
Slot 2/byte 0	-	-	-	-	-	-	S91.3	S91.2	S91.1
Slot 3/byte 0	-	-	I22	-	-	-	-	-	I17
Slot 3/byte 1	-	-	-	-	-	-	-	-	-

Assignment in output area of the bus master

Slot 1/byte 0	-	-	-	-	-	-	-	-	H90
Slot 2/byte 0	-	-	-	-	-	-	-	-	-
Slot 3/byte 0	-	-	-	-	-	-	-	-	O17
Slot 3/byte 1	-	-	-	-	-	-	-	-	-
Slot 1/byte 0	LED H90								
Slot 3/byte 0	Acknowledgment								

PROFIsafe data bytes

(safe input/output area)

A

Assignment of PROFIsafe in input area of the bus master

Byte n+0	SI8	SI7	SI6	-	-	-	-	-
Byte n+1	SI16	-	-	-	-	-	-	-
Byte n+2	-	-	-	-	-	-	-	-
Byte n+3	-	-	-	-	-	-	-	-
Byte n+4	PROFIsafe internal (control byte)							
Byte n+5	PROFIsafe internal (ser. no.)							
Byte n+6	PROFIsafe internal (CRC2)							
Byte n+7	PROFIsafe internal (CRC2)							
SI6	Pushbutton S91 position S91.1 (left)							
SI7	Pushbutton S91 position S91.2 (center)							
SI8	Pushbutton S91 position S91.3 (right)							
SI16	Pushbutton S92 (not safe!)							

Assignment of PROFIsafe in output area of the bus master

Byte n+0	-	-	-	-	-	-	-	-
Byte n+1	-	-	-	-	-	-	-	-
Byte n+2	PROFIsafe internal (control byte)							
Byte n+3	PROFIsafe internal (ser. no.)							
Byte n+4	PROFIsafe internal (CRC2)							
Byte n+5	PROFIsafe internal (CRC2)							

Assignment of PROFIsafe in input area of the bus master

Byte n+0	SI8	SI7	SI6	-	-	-	-	-
Byte n+1	-	-	-	-	-	-	-	-
Byte n+2	-	SI23	SI22	-	-	-	-	-
Byte n+3	-	-	-	-	-	-	-	-
Byte n+4	PROFIsafe internal (control byte)							
Byte n+5	PROFIsafe internal (ser. no.)							
Byte n+6	PROFIsafe internal (CRC2)							
Byte n+7	PROFIsafe internal (CRC2)							
SI6	Pushbutton S91 position S91.1 (left)							
SI7	Pushbutton S91 position S91.2 (center)							
SI8	Pushbutton S91 position S91.3 (right)							
SI22	Acknowledgment pushbutton S91 position S91.1 (left)							
SI23	Acknowledgment pushbutton S91 position S91.2 (center)							

Assignment of PROFIsafe in output area of the bus master

Byte n+0	-	-	-	SO4	-	-	-	-
Byte n+1	-	-	-	-	-	-	-	-
Byte n+2	PROFIsafe internal (control byte)							
Byte n+3	PROFIsafe internal (ser. no.)							
Byte n+4	PROFIsafe internal (CRC2)							
Byte n+5	PROFIsafe internal (CRC2)							
SO4	External reset							

PROFINET data bytes (unsafe input/output area)

B

Assignment in input area of the bus master

Slot 1/byte 0	-	-	S95.1	S94.1	-	-	S91.1	S90.1
Slot 1/byte 1	-	-	S95.2	S94.2	-	-	-	-
Slot 2/byte 0	S17.1	S16.1	S15.1	S14.1	S13.1	S12.1	S11.1	S10.1
Slot 2/byte 1	S17.2	S16.2	S15.2	S14.2	-	-	-	-
Slot 4/byte 1	-	-	-	-	-	-	-	S93
Slot 5/byte 0	+ & -	ZT -	ZT +	-	-	-	-	ZTM
Slot 6/byte 0	-	-	-	-	I20	I19	-	I17
Slot 1/byte 0	Pushbutton S90 - S91 and S94 - S95 1st contact							
Slot 1/byte 1	Pushbutton S94 - S95 2nd contact							
Slot 2/byte 0	Pushbutton S10 - S17 1st contact							
Slot 2/byte 1	Pushbutton S10 - S17 2nd contact							
Slot 4/byte 0	Emergency stop monitoring contact (NHM)							
Slot 5/byte 0	Enabling switch +/- and monitoring contact (ZTM)							
Slot 6/byte 0	Diagnostic module							

Assignment in output area of the bus master

Slot 1/byte 0	-	-	H95	H94	-	-	H91	H90
Slot 2/byte 0	H17	H16	H15	H14	H13	H12	H11	H10
Slot 3/byte 0	-	-	-	O21	O20	O19	O18	O17
Slot 4/byte 1	-	-	-	-	-	-	-	-
Slot 5/byte 0	-	-	-	-	-	-	ZT -	ZT +
Slot 6/byte 0	-	-	-	-	-	-	-	O17
Slot 1/byte 0	LEDs H90 - H95							
Slot 2/byte 0	LEDs H10 - H17							
Slot 3/byte 0	Stacklight module O17 - O21							
Slot 4/byte 0	LED for possible emergency stop (not used)							
Slot 5/byte 0	Enabling switch LEDs +/- (ZT)							
Slot 6/byte 0	Diagnostic module							

PROFIsafe data bytes (safe input/output area)

B

Assignment of PROFIsafe in input area of the bus master

Byte n+0	-	-	-	-	-	-	-	S12	S11
Byte n+1	-	-	-	-	-	-	-	-	-
Byte n+2	PROFIsafe internal (control byte)								
Byte n+3	PROFIsafe internal (ser. no.)								
Byte n+4	PROFIsafe internal (CRC2)								
Byte n+5	PROFIsafe internal (CRC2)								
S11	Emergency stop S93								
S12	Enabling switch X14								

Assignment of PROFIsafe in output area of the bus master

Byte n+0	-	-	-	-	-	-	-	-	-
Byte n+1	-	-	-	-	-	-	-	-	-
Byte n+2	PROFIsafe internal (control byte)								
Byte n+3	PROFIsafe internal (ser. no.)								
Byte n+4	PROFIsafe internal (CRC2)								
Byte n+5	PROFIsafe internal (CRC2)								

Assignment of the terminal plugs

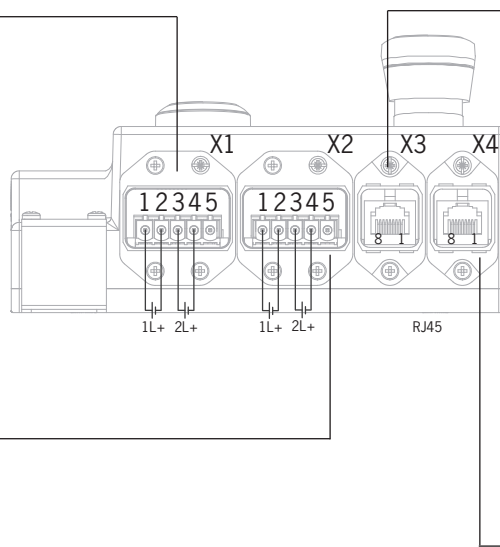
Terminal assignment for version with push-pull plugs

Pin	Description
X1.1	1L+ operating voltage DC 24 V
X1.2	1M operating voltage 0 V
X1.3	2L+ auxiliary voltage* DC 24 V
X1.4	2M auxiliary voltage* 0 V
X1.5	Function earth

X2: For looping through for connected devices

X2.1	1L+ operating voltage DC 24 V
X2.2	1M operating voltage 0 V
X2.3	2L+ auxiliary voltage* DC 24 V
X2.4	2M auxiliary voltage* 0 V
X2.5	Function earth

* The auxiliary voltage is not required for the MGB system



Pin	Description
X3.1	Receive Data +RD
X3.2	Receive Data -RD_N
X3.3	Transmit Data +TD
X3.4	Ground GND (RJ45)
X3.5	Ground GND (RJ45)
X3.6	Transmit Data -TD_N
X3.7	Ground GND (RJ45)
X3.8	Ground GND (RJ45)

X4: For looping through for connected devices (integrated RT switch)

X4.1	Receive Data +RD
X4.2	Receive Data -RD_N
X4.3	Transmit Data +TD
X4.4	Ground GND (RJ45)
X4.5	Ground GND (RJ45)
X4.6	Transmit Data -TD_N
X4.7	Ground GND (RJ45)
X4.8	Ground GND (RJ45)

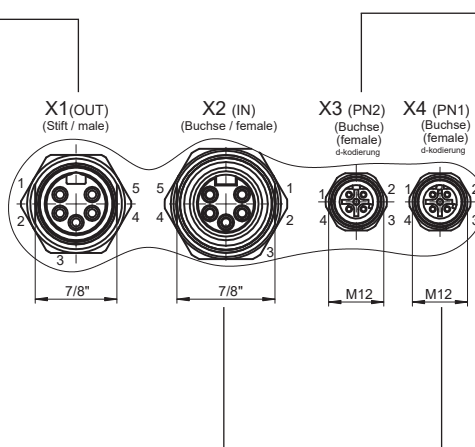
Terminal assignment for version with 7/8" and M12 plugs

Pin	Description
X1.1	N2 auxiliary voltage *0 V
X1.2	N1 operating voltage 0 V
X1.3	Function earth
X1.4	L1 operating voltage DC 24 V
X1.5	L2 auxiliary voltage* DC 24 V

X2: For looping through for connected devices

X2.1	N2 auxiliary voltage *0 V
X2.2	N1 operating voltage 0 V
X2.3	Function earth
X2.4	L1 operating voltage DC 24 V
X2.5	L2 auxiliary voltage* DC 24 V

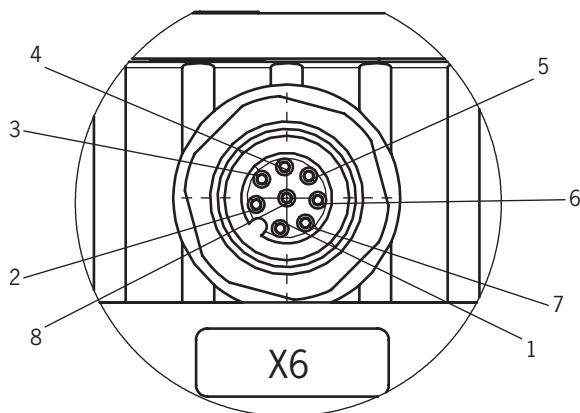
* The auxiliary voltage is not required for the MGB system



Pin	Description
X3.1	Transmit Data +TD
X3.2	Receive Data +RD
X3.3	Transmit Data -TD_N
X3.4	Receive Data -RD_N
Function earth on plug housing	

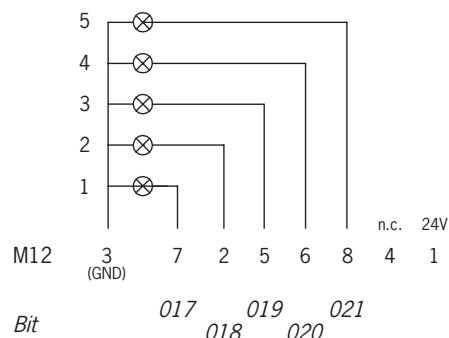
Pin	Description
X4.1	Transmit Data +TD
X4.2	Receive Data +RD
X4.3	Transmit Data -TD_N
X4.4	Receive Data -RD_N
Function earth on plug housing	

Terminal assignment, plug connector X6 for stacklight module

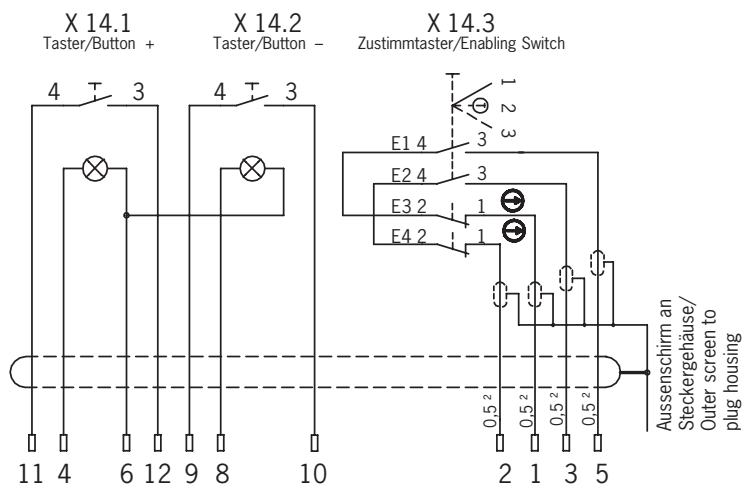


M 12

Built-in plug connector (8-pin/socket), aligned
View of connection side



Terminal assignment, plug connector X14 for enabling switch (e.g. ZSB077029)



MGB-PN

Technical data

Parameter	Value
s_{gr} max. door position	65 mm
Housing material	Fiber glass reinforced plastic Die-cast zinc, nickel-plated, stainless steel, powder-coated sheet steel
Dimensions	See dimension drawing
Weight of MGB-L.B (bus module, locking module, and operating module with mounting plate)	4.05 kg
Weight of handle module with mounting plate	1.20 kg
Weight of escape release module with mounting plate	1.15 kg
Ambient temperature	-20 ... +55 °C
Degree of protection	IP 54
Safety class	III
Degree of contamination	3
Installation position	Any
Locking force F_{zh}	2000 N
Connection options, power supply	2 x push-pull power ¹⁾ or 2 x plug connector 7/8" according to ANSI/B93.55M-1981
Connection, bus	2 x RJ 45, push-pull, according to IEC 61076-3-117 variant 14, screened ¹⁾ or 2 x M12 plug connector (d-coded) according to IEC 61076-2-101
Connection cable, bus	Profinet I/O cable, at least cat. 5e
Operating voltage U_b	DC 24 V +10% / -15% (PELV – see electrical connection)
Current consumption, max.	500 mA
Max. feed-in current in the connection block (push-pull plug connector)	4000 mA
Fuse protection for power supply, external	Min. 1 A slow-blow
Safety outputs	Profisafe according to IEC 61784-3-3
Rated insulation voltage U_i	75 V
Rated impulse withstand voltage U_{imp}	0.5 kV
Resilience to vibration and shock	In accordance with EN 60947-5-3
EMC protection requirements	In acc. with EN 61000-4 and DIN EN 61326-3-1
Switching frequency max.	1 Hz
Risk times, max. (switch-off times ²⁾	
- Emergency stop	250 ms
- Enabling switch	250 ms
- Operating mode selector switch	220 ms
- Door position	550 ms
- Bolt position	550 ms
- Guard locking	550 ms
Reliability values acc. to EN ISO 13849-1	
Category	4 (EN 13849-1:2008-12)
Performance Level	PL e (EN 13849-1:2008-12)
MTTF _d ³⁾	91 years
DC	99%
Mission time	20 years
PFH _d ³⁾	2.54 x 10 ⁻⁸ / h
PFH _d for the evaluation of the emergency stop	2.5 x 10 ⁻⁸ / h
B_{10d} ⁴⁾	
- Emergency stop	1 x 10 ⁵
- Enabling switch	According to switch information from manufacturer

1) The document *PROFINET Cabling and Interconnection Technology* from the PNO aids in the correct selection of wiring.

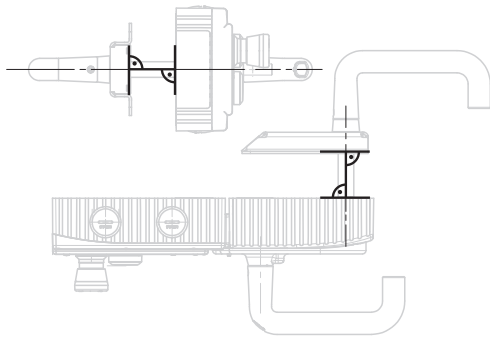
2) The risk time is the max. time between the change in the input status and the deletion of the corresponding bit in the bus protocol.

3) Fixed failure rate without consideration of faults in wearing parts.

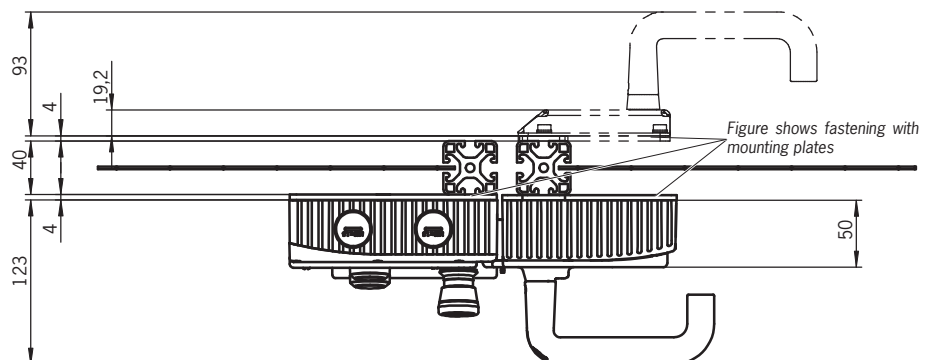
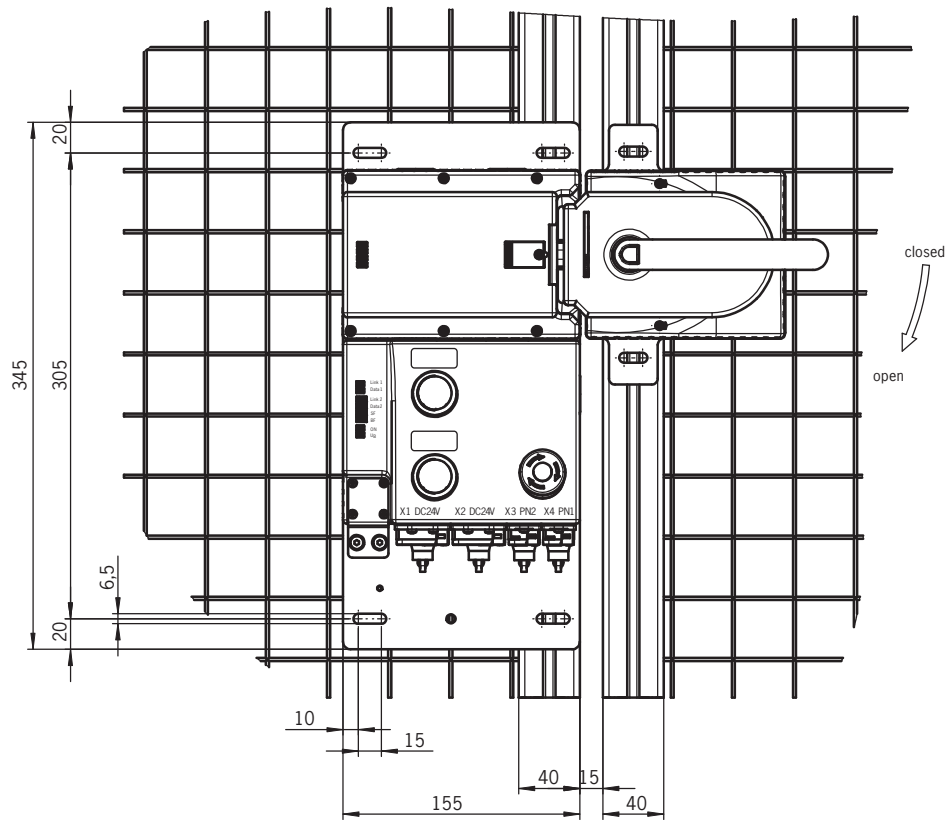
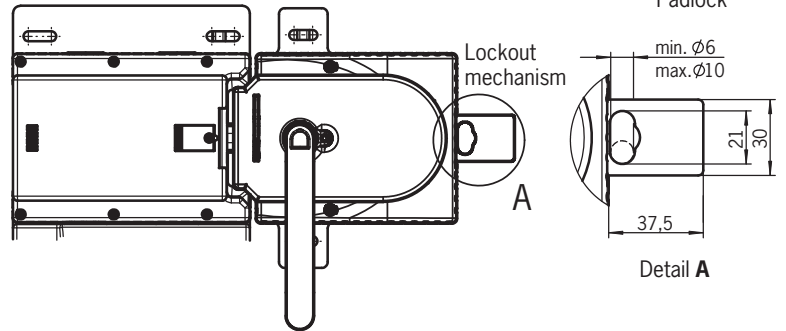
4) Information regarding wearing parts without consideration of fixed failure rates in electronic components.

Dimension drawings

Locking set

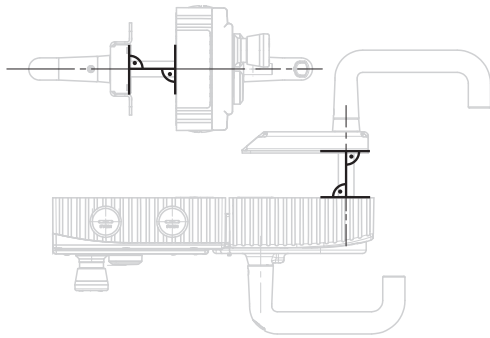


Dimensions with automatically extending lockout mechanism (optional)

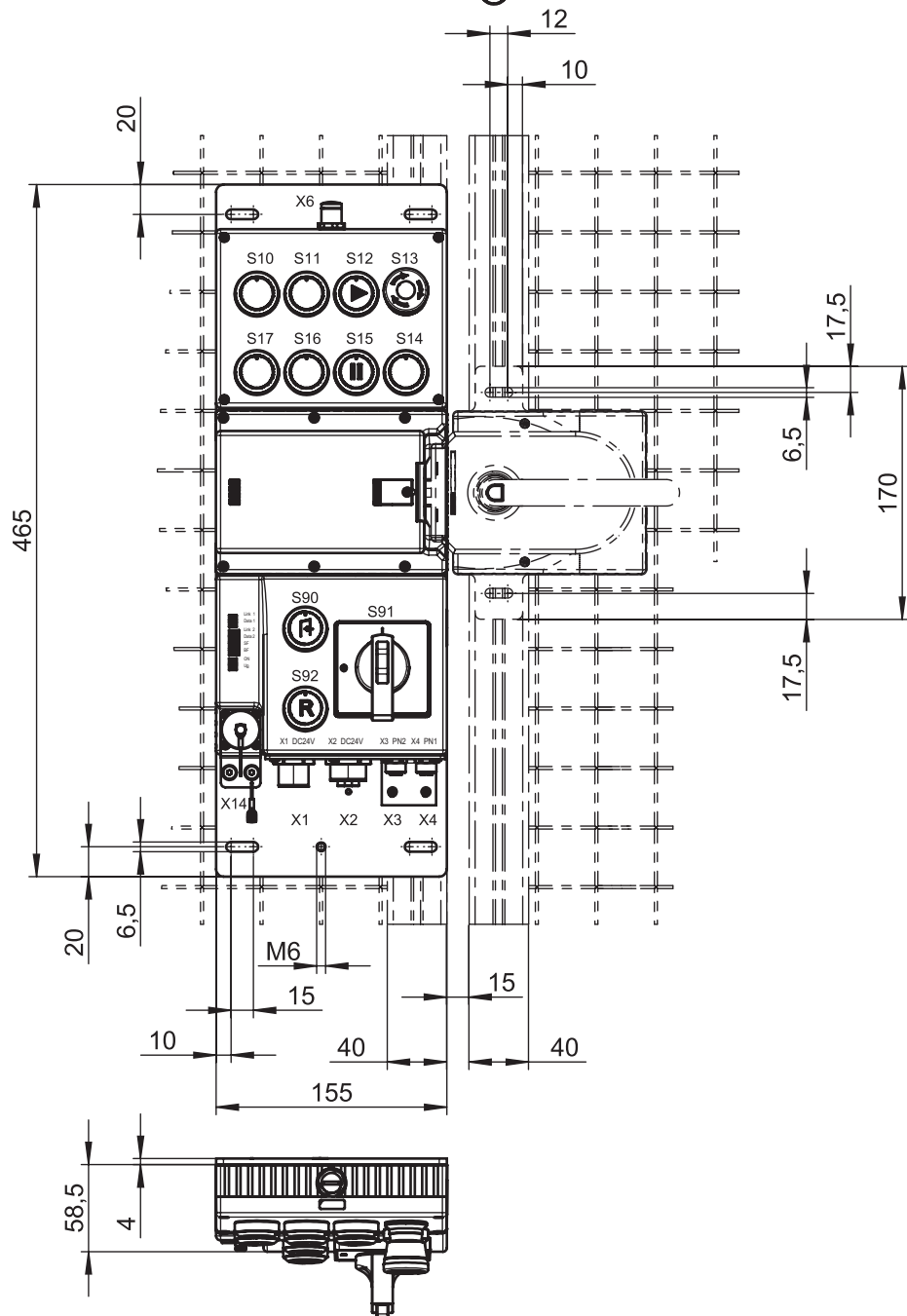
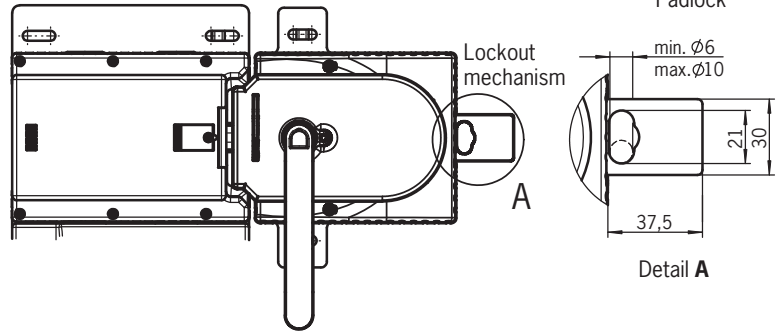


(Figure shows version for doors hinged on the right, pre-assembled on mounting plates)

Locking set

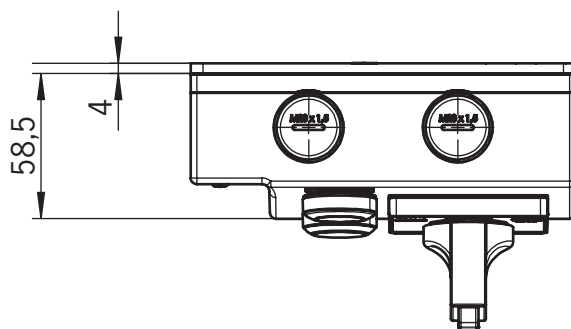
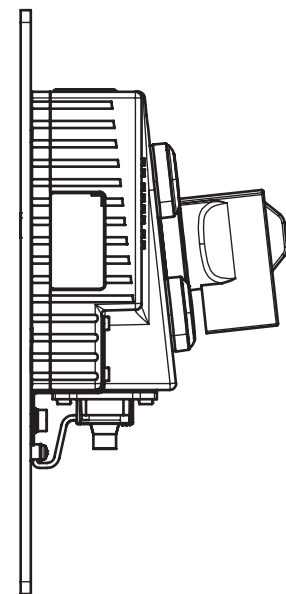
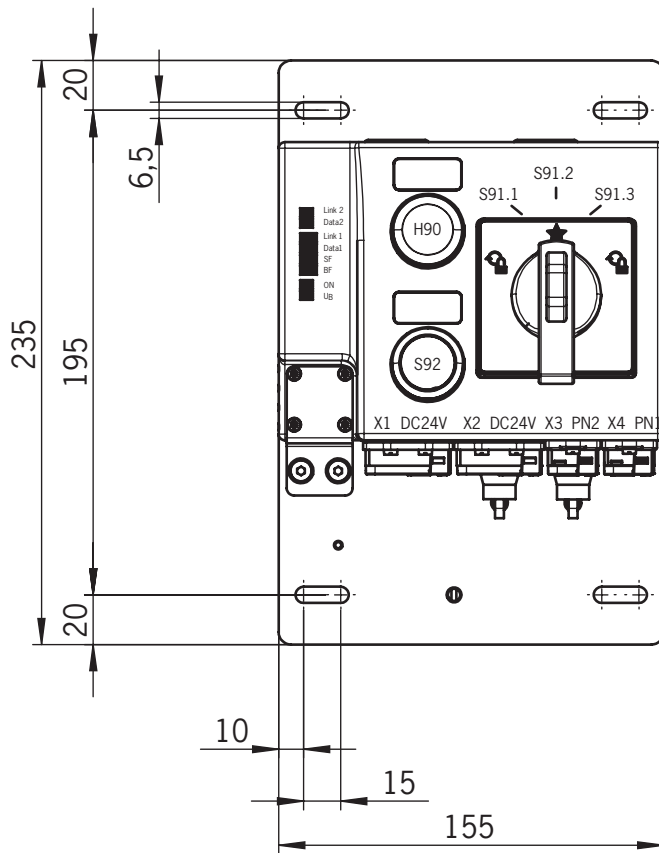
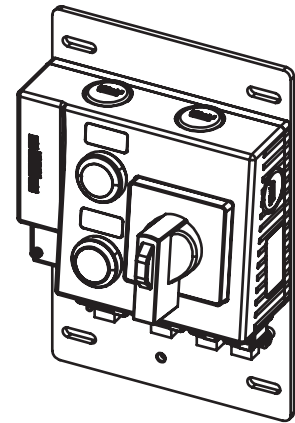


Dimensions with automatically extending lockout mechanism (optional)



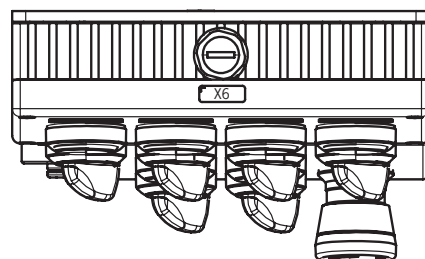
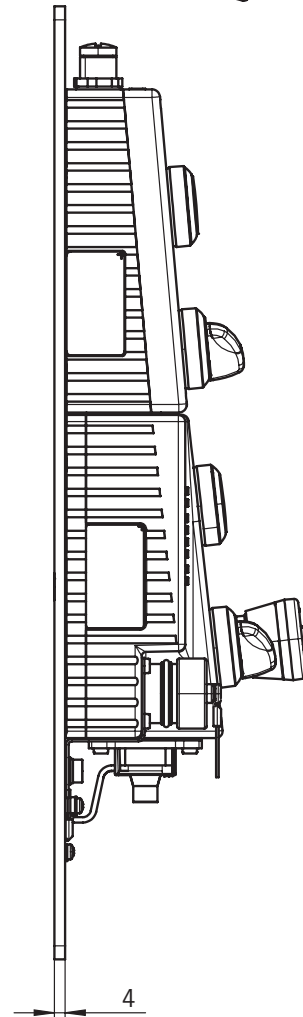
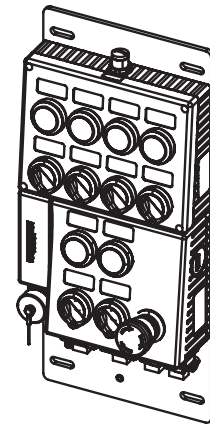
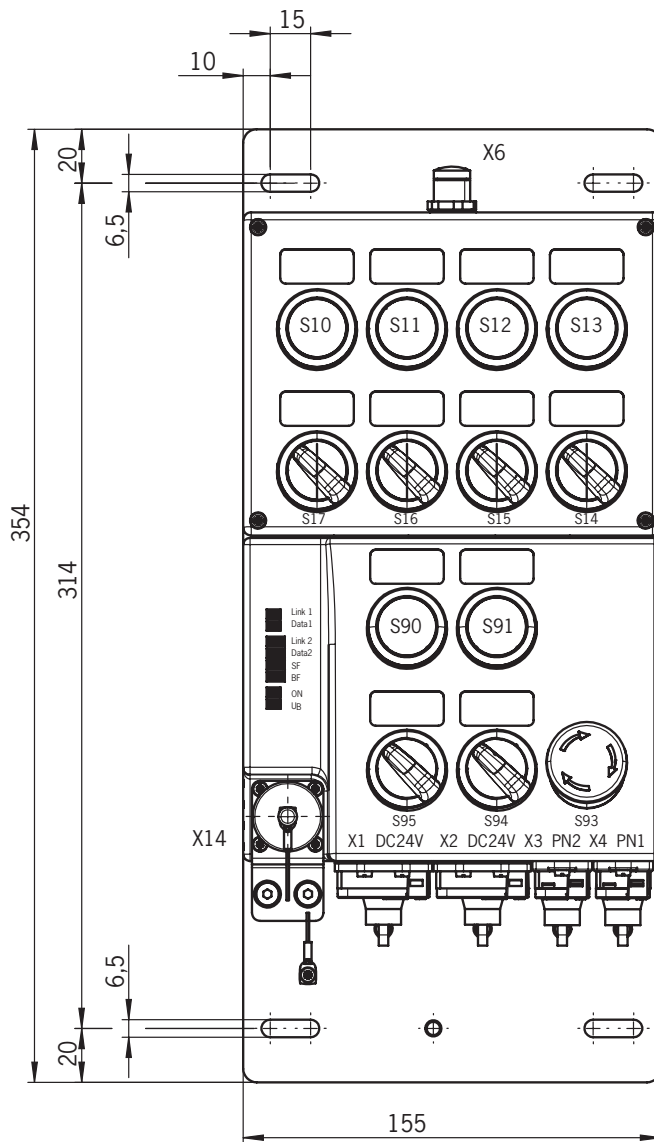
(Figure shows version for doors hinged on the right, pre-assembled on mounting plates)

Control module MGB-B-...-PN on mounting plate
 (example based on MGB-B-A1W2A2-PN-123759)



MGB-PN

Control module MGB-CB-...-PN on mounting plate
 (example based on MGB-CB-PN-114744)



Index by item designation

Item	Order no.	Page	Item	Order no.	Page
C-M23F19-19XDIFPU01,5-MA-092761	092761	74	MGB-A-SCREW-156331/V5	156331	69
C-M23F19-19XDIFPU03,0-MA-092816	092816	74	MGB-B-A1W2A2-PN-123759	123759	114
C-M23F19-19XDIFPU06,0-MA-077014	077014	74	MGB-C-000000-A1-109219	109219	78
C-M23F19-19XDIFPU08,0-MA-077015	077015	74	MGB-C-OHHHHHHA1-114268	114268	78
C-M23F19-19XDIFPU10,0-MA-092898	092898	74	MGB-C-1BBBBPP-A3-112023	112023	78
C-M23F19-19XDIFPU15,0-MA-077016	077016	74	MGB-C-1EPPBPP-A3-112022	112022	78
C-M23F19-19XDIFPU20,0-MA-092726	092726	74	MGB-CB-PN-114744	114744	115
C-M23F19-19XDIFPU25,0-MA-092727	092727	74	MGB-E-A-100465	100465	68
C-M23F19-19XDIFPU30,0-MA-095993	095993	74	MGB-E-A2-106051	106051	68, 88, 93, 96, 100, 105, 108, 112
C-M23F19-19XDIFPU40,0-MA-102490	102490	74	MGB-E-A7-117126	117126	68
C-M23F19-PU01,5-MA-110301	110301	75	MGB-HAA1A1-L-106619	106619	65
C-M23F19-PU03,0-MA-110302	110302	75	MGB-HAA1A1-R-100464	100464	65
C-M23F19-PU06,0-MA-110303	110303	75	MGB-HAA1A2-L-106221	106221	88, 93, 100, 105, 112
C-M23F19-PU10,0-MA-110304	110304	75	MGB-HAA1A2-R-106049	106049	88
C-M23F19-PU15,0-MA-110305	110305	75	MGB-HAA1A2-R-106049	106049	93
C-M23F19-PU20,0-MA-110306	110306	75	MGB-HAA1A2-R-106049	106049	100, 105, 112
C-M23F19-PU25,0-MA-110307	110307	75	MGB-HAA1A3-L-111158	111158	67
C-M23F19-PU30,0-MA-122434	122434	75	MGB-HAA1A3-R-111157	111157	67
C-M23F19-PU40,0-MA-122435	122435	75	MGB-HAA1A6-L-111839	111839	96, 108
C-M27F26-PU01,1-MA-114976	114976	76	MGB-HAA1A6-R-111838	111838	96, 108
C-M27F26-PU02,0-MA-111997	111997	76	MGB-HAA1A7-L-121478	121478	65
C-M27F26-PU05,0-MA-111998	111998	76	MGB-HAA1A7-R-113201	113201	65
C-M27F26-PU10,0-MA-111999	111999	76	MGB-HAA1B1-L-114656	114656	65
C-M27F26-PU20,0-MA-112912	112912	76	MGB-HAA1B1-R-114655	114655	65
C-M27F26-PU35,0-MA-123829	123829	76	MGB-HAA1B2-L-116814	116814	67
C-M27F26-PU50,0-MA-123877	123877	76	MGB-HAA1B2-R-116813	116813	67
EKPM20/06	086223	73	MGB-LOH-ARR-105778	105778	10
Lead seal kit C1937	087256	69	MGB-LOH-ARA-L-121260	121260	14
MGB-A-BUSH-109524	109524	78, 82	MGB-LOH-ARA-R-121059	121059	12
MGB-A-DOORHANDLE-R-110276	110276	68, 88, 93, 96, 100, 105, 108, 112	MGB-LOH-ARA-R-121254	121254	14
MGB-A-DOORHANDLE-S-110277	110277	65	MGB-LOHC-ARA-L-110256	110256	54
MGB-A-DOORHANDLE-S2-123926	123926	65, 67, 88, 93, 96, 100, 105, 108, 112	MGB-LOHC-ARA-R-110255	110255	54
MGB-A-DOORKNOB-111460	111460	65	MGB-LOHE-AR-R-105780	105780	10
MGB-A-DOORKNOB-114904	114904	68	MGB-LOHE-ARA-L-110692	110692	14
MGB-A-DOORKNOB-S2-124030	124030	65, 67	MGB-LOHE-ARA-R-110691	110691	14
MGB-A-EMERGENCYRELEASE-112989	112989	69	MGB-LOHE-ARA-R-121233	121233	14
MGB-A-FLUCHTENTRIEGELUNGSWELLE 250	106761	68, 88, 93, 96, 100, 105, 108, 112	MGB-L1B-PNA-L-121833	121833	88
MGB-A-LENSSET-0001-120344	120344	70, 82	MGB-L1B-PNA-L-121855	121855	93
MGB-A-LENSSET-0002-120378	120378	70, 82	MGB-L1B-PNA-L-121861	121861	93
MGB-A-LENSSET-SY01-120377	120377	70, 82	MGB-L1B-PNA-R-121831	121831	88
MGB-A-LENSSET-SY02-125359	125359	70, 82	MGB-L1B-PNA-R-121851	121851	93
MGB-A-LENSSET-SY03-126158	126158	70, 82	MGB-L1B-PNA-R-121857	121857	93
MGB-A-LPSET-109858	109858	78	MGB-L1B-PNC-L-121867	121867	96
MGB-A-MOUNTINGPLATE-E-109492	109492	71, 88, 93, 96, 100, 105, 108, 112	MGB-L1B-PNC-R-121865	121865	96
MGB-A-MOUNTINGPLATE-H-109491	109491	71, 88, 93, 96, 100, 105, 108, 112	MGB-L1H-APA-L-110588	110588	26
MGB-A-MOUNTINGPLATE-L-109490	109490	71	MGB-L1H-APA-L-114238	114238	27
MGB-A-MOUNTINGPLATE-LC-110072	110072	71	MGB-L1H-APA-L-115179	115179	26
MGB-A-PLATESET-NN01-114529	114529	69, 81, 82	MGB-L1H-APA-L-115897	115897	27
MGB-A-PLUGCONNECTOR-RC18-1204035	120403	73	MGB-L1H-APA-R-110587	110587	26
			MGB-L1H-APA-R-114236	114236	27
			MGB-L1H-APA-R-115178	115178	26
			MGB-L1H-APA-R-115895	115895	27
			MGB-L1H-ARR-105782	105782	16
			MGB-L1H-ARR-105783	105783	27
			MGB-L1H-ARA-L-110614	110614	29
			MGB-L1H-ARA-L-111022	111022	30
			MGB-L1H-ARA-L-111073	111073	16
			MGB-L1H-ARA-L-111656	111656	22

Item	Order no.	Page	Item	Order no.	Page
MGB-L1H-ARAL-117231	117231	34	MGB-L2B-PNAR-113133	113133	112
MGB-L1H-ARAL-117316	117316	28	MGB-L2B-PNAR-114045	114045	100
MGB-L1H-ARAL-119926	119926	35	MGB-L2B-PNAR-121836	121836	108
MGB-L1H-ARAL-121107	121107	22	MGB-L2B-PNAR-121848	121848	105
MGB-L1H-ARAL-121171	121171	21	MGB-L2B-PNAR-121859	121859	105
MGB-L1H-ARAL-121211	121211	30	MGB-L2H-APAL-110549	110549	44
MGB-L1H-ARAL-121243	121243	28	MGB-L2H-APAR-110548	110548	44
MGB-L1H-ARAL-121262	121262	28	MGB-L2H-ARL-109781	109781	38
MGB-L1H-ARAL-121407	121407	35	MGB-L2H-ARR-105786	105786	38
MGB-L1H-ARAL-121414	121414	28	MGB-L2H-ARR-109780	109780	38
MGB-L1H-ARAL-124099	124099	20	MGB-L2H-ARAL-110616	110616	45
MGB-L1H-ARAR-110613	110613	29	MGB-L2H-ARAL-111926	111926	45
MGB-L1H-ARAR-111020	111020	30	MGB-L2H-ARAL-121029	121029	40
MGB-L1H-ARAR-111070	111070	16	MGB-L2H-ARAL-121071	121071	40
MGB-L1H-ARAR-111655	111655	22	MGB-L2H-ARAL-121114	121114	41
MGB-L1H-ARAR-117229	117229	34	MGB-L2H-ARAL-121175	121175	41
MGB-L1H-ARAR-117314	117314	28	MGB-L2H-ARAL-121245	121245	44
MGB-L1H-ARAR-119924	119924	35	MGB-L2H-ARAL-121264	121264	45
MGB-L1H-ARAR-121051	121051	20	MGB-L2H-ARAL-121400	121400	48
MGB-L1H-ARAR-121061	121061	21	MGB-L2H-ARAR-110615	110615	45
MGB-L1H-ARAR-121068	121068	21	MGB-L2H-ARAR-111924	111924	45
MGB-L1H-ARAR-121105	121105	22	MGB-L2H-ARAR-121025	121025	40
MGB-L1H-ARAR-121170	121170	21	MGB-L2H-ARAR-121065	121065	40
MGB-L1H-ARAR-121209	121209	30	MGB-L2H-ARAR-121112	121112	41
MGB-L1H-ARAR-121256	121256	27	MGB-L2H-ARAR-121173	121173	41
MGB-L1H-ARAR-121405	121405	35	MGB-L2H-ARAR-121238	121238	44
MGB-L1H-ARAR-121412	121412	28	MGB-L2H-ARAR-121258	121258	45
MGB-L1H-ARAR-124098	124098	20	MGB-L2H-ARAR-121398	121398	48
MGB-L1HB-PNAL-121834	121834	86	MGB-L2HB-PNAL-113989	113989	98
MGB-L1HB-PNAL-121856	121856	90	MGB-L2HB-PNAL-113991	113991	110
MGB-L1HB-PNAL-121862	121862	91	MGB-L2HB-PNAL-121839	121839	106
MGB-L1HB-PNAR-121832	121832	86	MGB-L2HB-PNAL-121854	121854	102
MGB-L1HB-PNAR-121852	121852	90	MGB-L2HB-PNAL-121864	121864	103
MGB-L1HB-PNAR-121858	121858	91	MGB-L2HB-PNAR-113134	113134	110
MGB-L1HB-PNCL-121868	121868	94	MGB-L2HB-PNAR-113988	113988	98
MGB-L1HB-PNCR-121866	121866	94	MGB-L2HB-PNAR-121837	121837	106
MGB-L1HC-ARAL-109807	109807	56	MGB-L2HB-PNAR-121849	121849	102
MGB-L1HC-ARAR-109806	109806	56	MGB-L2HB-PNAR-121860	121860	103
MGB-L1HE-APAL-121815	121815	34	MGB-L2HC-ARAL-112532	112532	58
MGB-L1HE-APAR-121813	121813	34	MGB-L2HC-ARAR-112531	112531	58
MGB-L1HE-ARR-105784	105784	16	MGB-L2HE-APAL-120602	120602	48
MGB-L1HE-ARR-109313	109313	28	MGB-L2HE-APAR-120600	120600	48
MGB-L1HE-ARR-110220	110220	27	MGB-L2HE-ARR-105788	105788	38
MGB-L1HE-ARAL-110690	110690	29	MGB-L2HE-ARAL-121072	121072	40
MGB-L1HE-ARAL-119809	119809	21	MGB-L2HE-ARAL-121195	121195	45
MGB-L1HE-ARAL-121040	121040	18	MGB-L2HE-ARAL-121246	121246	44
MGB-L1HE-ARAL-121069	121069	21	MGB-L2HE-ARAR-121066	121066	40
MGB-L1HE-ARAL-121089	121089	21	MGB-L2HE-ARAR-121191	121191	45
MGB-L1HE-ARAL-121218	121218	29	MGB-L2HE-ARAR-121239	121239	44
MGB-L1HE-ARAR-110689	110689	29	MP-A-B-00-00-00-109468	109468	81, 82
MGB-L1HE-ARAR-119807	119807	21	MP-A-C-CH-00-00-157842	157842	81, 82
MGB-L1HE-ARAR-120991	120991	18	MP-A-C-GM-21-00-109456	109456	81, 82
MGB-L1HE-ARAR-121035	121035	18	MP-A-C-GU-01-00-157840	157840	81, 82
MGB-L1HE-ARAR-121052	121052	20	MP-A-C-LC-WH-00-157841	157841	81, 82
MGB-L1HE-ARAR-121062	121062	21	MP-B-E-RD-00-A4-121808	121808	81, 82
MGB-L1HE-ARAR-121087	121087	21	MP-B-K-RR-00-A3-121807	121807	81, 82
MGB-L1HE-ARAR-121131	121131	20	MP-B-L-RO-GN-00-121805	121805	81, 82
MGB-L1HE-ARAR-121216	121216	29	MP-B-L-RO-RD-00-121802	121802	81, 82
MGB-L1HE-ARAR-121236	121236	27	MP-B-L-RO-WH-00-121804	121804	81, 82
MGB-L2B-PNAL-113990	113990	112	MP-B-L-RO-YE-00-121803	121803	81, 82
MGB-L2B-PNAL-114044	114044	100	MP-B-P-RT-NC-A1-121801	121801	81, 82
MGB-L2B-PNAL-121838	121838	108	MP-B-S-RR-00-A2-121806	121806	81, 82
MGB-L2B-PNAL-121853	121853	105	Pin crimp contact RCM-C1825	094310	73
MGB-L2B-PNAL-121863	121863	105	RC18EF-C1825	077025	73

Index by order number

Order no.	Item	Page	Order no.	Item	Page
077014	C-M23F19-19XDIFPU06,0-MA-077014	74	110277	MGB-A-DOORHANDLE-S-110277	65
077015	C-M23F19-19XDIFPU08,0-MA-077015	74	110301	C-M23F19-PU01,5-MA-110301	75
077016	C-M23F19-19XDIFPU15,0-MA-077016	74	110302	C-M23F19-PU03,0-MA-110302	75
077025	RC18EF-C1825	73	110303	C-M23F19-PU06,0-MA-110303	75
086223	EKPM20/06	73	110304	C-M23F19-PU10,0-MA-110304	75
087256	Lead seal kit C1937	69	110305	C-M23F19-PU15,0-MA-110305	75
092726	C-M23F19-19XDIFPU20,0-MA-092726	74	110306	C-M23F19-PU20,0-MA-110306	75
092727	C-M23F19-19XDIFPU25,0-MA-092727	74	110307	C-M23F19-PU25,0-MA-110307	75
092761	C-M23F19-19XDIFPU01,5-MA-092761	74	110548	MGB-L2H-APA-R-110548	44
092816	C-M23F19-19XDIFPU03,0-MA-092816	74	110549	MGB-L2H-APA-L-110549	44
092898	C-M23F19-19XDIFPU10,0-MA-092898	74	110587	MGB-L1H-APA-R-110587	26
094310	Pin crimp contact RCM-C1825	73	110588	MGB-L1H-APA-L-110588	26
095993	C-M23F19-19XDIFPU30,0-MA-095993	74	110613	MGB-L1H-ARA-R-110613	29
100464	MGB-HAA1A1-R-100464	65	110614	MGB-L1H-ARA-L-110614	29
100465	MGB-E-A-100465	68	110615	MGB-L2H-ARA-R-110615	45
102490	C-M23F19-19XDIFPU40,0-MA-102490	74	110616	MGB-L2H-ARA-L-110616	45
105778	MGB-LOH-AR-R-105778	10	110689	MGB-L1HE-ARA-R-110689	29
105780	MGB-LOHE-AR-R-105780	10	110690	MGB-L1HE-ARA-L-110690	29
105782	MGB-L1H-AR-R-105782	16	110691	MGB-LOHE-ARA-R-110691	14
105783	MGB-L1H-AR-R-105783	27	110692	MGB-LOHE-ARA-L-110692	14
105784	MGB-L1HE-AR-R-105784	16	111020	MGB-L1H-ARA-R-111020	30
105786	MGB-L2H-AR-R-105786	38	111022	MGB-L1H-ARA-L-111022	30
105788	MGB-L2HE-AR-R-105788	38	111070	MGB-L1H-ARA-R-111070	16
106049	MGB-HAA1A2-R-106049	88	111073	MGB-L1H-ARA-L-111073	16
106049	MGB-HAA1A2-R-106049	93	111157	MGB-HAA1A3-R-111157	67
106049	MGB-HAA1A2-R-106049	100, 105, 112	111158	MGB-HAA1A3-L-111158	67
106051	MGB-E-A2-106051	68, 88, 93, 96, 100, 105, 108, 112	111460	MGB-A-DOORKNOB-111460	65
106221	MGB-HAA1A2-L-106221	88, 93, 100, 105, 112	111655	MGB-L1H-ARA-R-111655	22
106619	MGB-HAA1A1-L-106619	65	111656	MGB-L1H-ARA-L-111656	22
106761	MGB-A-FLUCHTENTRIEGELUNGSWELLE 250	68, 88, 93, 96, 100, 105, 108, 112	111838	MGB-HAA1A6-R-111838	96, 108
109219	MGB-C-000000-A1-109219	78	111839	MGB-HAA1A6-L-111839	96, 108
109313	MGB-L1HE-AR-R-109313	28	111924	MGB-L2H-ARA-R-111924	45
109456	MP-A-C-GM-21-00-109456	81, 82	111926	MGB-L2H-ARA-L-111926	45
109468	MP-A-B-00-00-00-109468	81, 82	111997	C-M27F26-PU02,0-MA-111997	76
109490	MGB-A-MOUNTINGPLATE-L-109490	71	111998	C-M27F26-PU05,0-MA-111998	76
109491	MGB-A-MOUNTINGPLATE-H-109491	71, 88, 93, 96, 100, 105, 108, 112	111999	C-M27F26-PU10,0-MA-111999	76
109492	MGB-A-MOUNTINGPLATE-E-109492	71, 88, 93, 96, 100, 105, 108, 112	112022	MGB-C-1EPPBPP-A3-112022	78
109524	MGB-A-BUSH-109524	78, 82	112023	MGB-C-1BBBPP-A3-112023	78
109780	MGB-L2H-AR-R-109780	38	112531	MGB-L2HC-ARA-R-112531	58
109781	MGB-L2H-AR-L-109781	38	112532	MGB-L2HC-ARA-L-112532	58
109806	MGB-L1HC-ARA-R-109806	56	112912	C-M27F26-PU20,0-MA-112912	76
109807	MGB-L1HC-ARA-L-109807	56	112989	MGB-A-EMERGENCYRELEASE-112989	69
109858	MGB-ALPSET-109858	78	113133	MGB-L2B-PNA-R-113133	112
110072	MGB-A-MOUNTINGPLATE-LC-110072	71	113134	MGB-L2HB-PNA-R-113134	110
110220	MGB-L1HE-AR-R-110220	27	113201	MGB-HAA1A7-R-113201	65
110255	MGB-LOHC-ARA-R-110255	54	113988	MGB-L2HB-PNA-R-113988	98
110256	MGB-LOHC-ARA-L-110256	54	113989	MGB-L2HB-PNA-L-113989	98
110276	MGB-A-DOORHANDLE-R-110276	68, 88, 93, 96, 100, 105, 108, 112	113990	MGB-L2B-PNA-L-113990	112
			113991	MGB-L2HB-PNA-L-113991	110
			114044	MGB-L2B-PNA-L-114044	100
			114045	MGB-L2B-PNA-R-114045	100
			114236	MGB-L1H-APA-R-114236	27
			114238	MGB-L1H-APA-L-114238	27
			114268	MGB-C-0HHHHHH-A1-114268	78
			114529	MGB-A-PLATESET-NN01-114529	69, 81, 82
			114655	MGB-HAA1B1-R-114655	65
			114656	MGB-HAA1B1-L-114656	65
			114744	MGB-CB-PN-114744	115
			114904	MGB-A-DOORKNOB-114904	68
			114976	C-M27F26-PU01,1-MA-114976	76
			115178	MGB-L1H-APA-R-115178	26
			115179	MGB-L1H-APA-L-115179	26
			115895	MGB-L1H-APA-R-115895	27
			115897	MGB-L1H-APA-L-115897	27

Order no.	Item	Page	Order no.	Item	Page
116813	MGB-HAA1B2-R-116813	67	121400	MGB-L2H-ARA-L-121400	48
116814	MGB-HAA1B2-L-116814	67	121405	MGB-L1H-ARA-R-121405	35
117126	MGB-E-A7-117126	68	121407	MGB-L1H-ARA-L-121407	35
117229	MGB-L1H-ARA-R-117229	34	121412	MGB-L1H-ARA-R-121412	28
117231	MGB-L1H-ARA-L-117231	34	121414	MGB-L1H-ARA-L-121414	28
117314	MGB-L1H-ARA-R-117314	28	121478	MGB-HAA1A7-L-121478	65
117316	MGB-L1H-ARA-L-117316	28	121801	MP-B-P-RT-NC-A1-121801	81, 82
119807	MGB-L1HE-ARA-R-119807	21	121802	MP-B-L-RO-RD-00-121802	81, 82
119809	MGB-L1HE-ARA-L-119809	21	121803	MP-B-L-RO-YE-00-121803	81, 82
119924	MGB-L1H-ARA-R-119924	35	121804	MP-B-L-RO-WH-00-121804	81, 82
119926	MGB-L1H-ARA-L-119926	35	121805	MP-B-L-RO-GN-00-121805	81, 82
120344	MGB-A-LENSSET-0001-120344	70, 82	121806	MP-B-S-RR-00-A2-121806	81, 82
120377	MGB-A-LENSSET-SY01-120377	70, 82	121807	MP-B-K-RR-00-A3-121807	81, 82
120378	MGB-A-LENSSET-0002-120378	70, 82	121808	MP-B-E-RD-00-A4-121808	81, 82
120403	MGB-A-PLUGCONNECTOR-RC18-1204035	73	121813	MGB-L1HE-APA-R-121813	34
120600	MGB-L2HE-APA-R-120600	48	121815	MGB-L1HE-APA-L-121815	34
120602	MGB-L2HE-APA-L-120602	48	121831	MGB-L1B-PNA-R-121831	88
120991	MGB-L1HE-ARA-R-120991	18	121832	MGB-L1HB-PNA-R-121832	86
121025	MGB-L2H-ARA-R-121025	40	121833	MGB-L1B-PNA-L-121833	88
121029	MGB-L2H-ARA-L-121029	40	121834	MGB-L1HB-PNA-L-121834	86
121035	MGB-L1HE-ARA-R-121035	18	121836	MGB-L2B-PNA-R-121836	108
121040	MGB-L1HE-ARA-L-121040	18	121837	MGB-L2HB-PNA-R-121837	106
121051	MGB-L1H-ARA-R-121051	20	121838	MGB-L2B-PNA-L-121838	108
121052	MGB-L1HE-ARA-R-121052	20	121839	MGB-L2HB-PNA-L-121839	106
121059	MGB-LOH-ARA-R-121059	12	121848	MGB-L2B-PNA-R-121848	105
121061	MGB-L1H-ARA-R-121061	21	121849	MGB-L2HB-PNA-R-121849	102
121062	MGB-L1HE-ARA-R-121062	21	121851	MGB-L1B-PNA-R-121851	93
121065	MGB-L2H-ARA-R-121065	40	121852	MGB-L1HB-PNA-R-121852	90
121066	MGB-L2HE-ARA-R-121066	40	121853	MGB-L2B-PNA-L-121853	105
121068	MGB-L1H-ARA-R-121068	21	121854	MGB-L2HB-PNA-L-121854	102
121069	MGB-L1HE-ARA-L-121069	21	121855	MGB-L1B-PNA-L-121855	93
121071	MGB-L2H-ARA-L-121071	40	121856	MGB-L1HB-PNA-L-121856	90
121072	MGB-L2HE-ARA-L-121072	40	121857	MGB-L1B-PNA-R-121857	93
121087	MGB-L1HE-ARA-R-121087	21	121858	MGB-L1HB-PNA-R-121858	91
121089	MGB-L1HE-ARA-L-121089	21	121859	MGB-L2B-PNA-R-121859	105
121105	MGB-L1H-ARA-R-121105	22	121860	MGB-L2HB-PNA-R-121860	103
121107	MGB-L1H-ARA-L-121107	22	121861	MGB-L1B-PNA-L-121861	93
121112	MGB-L2H-ARA-R-121112	41	121862	MGB-L1HB-PNA-L-121862	91
121114	MGB-L2H-ARA-L-121114	41	121863	MGB-L2B-PNA-L-121863	105
121131	MGB-L1HE-ARA-R-121131	20	121864	MGB-L2HB-PNA-L-121864	103
121170	MGB-L1H-ARA-R-121170	21	121865	MGB-L1B-PNC-R-121865	96
121171	MGB-L1H-ARA-L-121171	21	121866	MGB-L1HB-PNC-R-121866	94
121173	MGB-L2H-ARA-R-121173	41	121867	MGB-L1B-PNC-L-121867	96
121175	MGB-L2H-ARA-L-121175	41	121868	MGB-L1HB-PNC-L-121868	94
121191	MGB-L2HE-ARA-R-121191	45	122434	C-M23F19-PU30,0-MA-122434	75
121195	MGB-L2HE-ARA-L-121195	45	122435	C-M23F19-PU40,0-MA-122435	75
121209	MGB-L1H-ARA-R-121209	30	123759	MGB-B-A1W2A2-PN-123759	114
121211	MGB-L1H-ARA-L-121211	30	123829	C-M27F26-PU35,0-MA-123829	76
121216	MGB-L1HE-ARA-R-121216	29	123877	C-M27F26-PU50,0-MA-123877	76
121218	MGB-L1HE-ARA-L-121218	29	123926	MGB-A-DOORHANDLE-S2-123926	65, 67, 88, 93, 96, 100, 105, 108, 112
121233	MGB-LOHE-ARA-R-121233	14	124030	MGB-A-DOORKNOB-S2-124030	65, 67
121236	MGB-L1HE-ARA-R-121236	27	124098	MGB-L1H-ARA-R-124098	20
121238	MGB-L2H-ARA-R-121238	44	124099	MGB-L1H-ARA-L-124099	20
121239	MGB-L2HE-ARA-R-121239	44	125359	MGB-A-LENSSET-SY02-125359	70, 82
121243	MGB-L1H-ARA-L-121243	28	126158	MGB-A-LENSSET-SY03-126158	70, 82
121245	MGB-L2H-ARA-L-121245	44	156331	MGB-A-SCREW-156331/V5	69
121246	MGB-L2HE-ARA-L-121246	44	157840	MP-A-C-GU-01-00-157840	81, 82
121254	MGB-LOH-ARA-R-121254	14	157841	MP-A-C-LC-WH-00-157841	81, 82
121256	MGB-L1H-ARA-R-121256	27	157842	MP-A-C-CH-00-00-157842	81, 82
121258	MGB-L2H-ARA-R-121258	45			
121260	MGB-LOH-ARA-L-121260	14			
121262	MGB-L1H-ARA-L-121262	28			
121264	MGB-L2H-ARA-L-121264	45			
121398	MGB-L2H-ARA-R-121398	48			

Representatives

International

Austria

EUCHNER GmbH
Aumühlweg 17-19/Halle 1C
2544 Leobersdorf
Tel. +43 720 010 200
Fax +43 720 010 200-20
info@euchner.at

Benelux

EUCHNER (BENELUX) BV
Visschersbuurt 23
3356 AE Papendrecht
Tel. +31 78 615-4766
Fax +31 78 615-4311
info@euchner.nl

Brazil

EUCHNER Com.Comp.
Eletronicos Ltda.
Av. Prof. Luiz Ignácio Anhaia Mello,
no. 4387
Vila Graciosa
São Paulo - SP - Brasil
CEP 03295-000
Tel. +55 11 29182200
Fax +55 11 23010613
euchner@euchner.com.br

Canada

EUCHNER Canada Inc.
2105 Fasan Drive
Oldcastle, ON NOR 1L0
Tel. +1 519 800-8397
Fax +1 519 737-0314
sales@euchner.ca

China

EUCHNER (Shanghai)
Trading Co., Ltd.
No. 15 building,
No. 68 Zhongchuang Road,
Songjiang
Shanghai, 201613, P.R.C
Tel. +86 21 5774-7090
Fax +86 21 5774-7599
info@euchner.com.cn

Czech Republic

EUCHNER electric s.r.o.
Trnkova 3069/117h
628 00 Brno
Tel. +420 533 443-150
Fax +420 533 443-153
info@euchner.cz

Denmark

Duelco A/S
Systemvej 8 - 10
9200 Aalborg SV
Tel. +45 7010 1007
Fax +45 7010 1008
info@duelco.dk

Estonia

Sähkölehto OÜ
Hobujaama 4
Tallinn 10151
Tel. +372 56 645 400
office@sahkolehto.fi

Finland

Sähkölehto Oy
Holkkitie 14
00880 Helsinki
Tel. +358 9 7746420
office@sahkolehto.fi

France

EUCHNER France S.A.R.L.
Parc d'Affaires des Bellevues
Allée Rosa Luxembourg
Bâtiment le Colorado
95610 ERAGNY sur OISE
Tel. +33 1 3909-9090
Fax +33 1 3909-9099
info@euchner.fr

Hungary

EUCHNER Magyarország Kft.
FSD Park 2,
2045 Törökbálint
Tel. +36 1 919 0855
Fax +36 1 919 0857
info@euchner.hu

India

EUCHNER (India) Pvt. Ltd.
401, Bremen Business Center,
City Survey No. 2562,
University Road
Aundh, Pune - 411007
Tel. +91 20 64016384
Fax +91 20 25885148
info@euchner.in

Israel

Ilan & Gavish Automation Service Ltd.
26 Shenkar St. Qiryat Arie 49513
P.O. Box 10118
Petach Tikva 49001
Tel. +972 3 9221824
Fax +972 3 9240761
mail@ilan-gavish.com

Italy

TRITECNICA SpA
Viale Lazio 26
20135 Milano
Tel. +39 02 541941
Fax +39 02 55010474
info@tritecnica.it

Japan

EUCHNER Co., Ltd.
1269-1 Komakiharashinden,
Komaki-shi, Aichi-ken
485-0012, Japan
Tel. +81 568 74 5237
Fax +81 568 74 5238
info@euchner.jp

Korea

EUCHNER Korea Co., Ltd.
115 Gasan Digital 2 - Ro
(Gasan-dong, Daeryung
Technotown 3rd Rm 810)
153 - 803 Kumchon-Gu, Seoul
Tel. +82 2 2107-3500
Fax +82 2 2107-3999
info@euchner.co.kr

Mexico

EUCHNER México S de RL de CV
Conjunto Industrial PK Co.
Carretera Estatal 431 km. 1+300
Ejido El Colorado, El Marqués
76246 Querétaro, México
Tel. +52 442 402 1485
Fax +52 442 402 1486
info@euchner.mx

Poland

EUCHNER Sp. z o.o.
Krańskięskiego 29
40-019 Katowice
Tel. +48 32 252 20 09
Fax +48 32 252 20 13
info@euchner.pl

Portugal

PAM Servicos Tecnicos Industriais Lda.
Rua de Timor - Pavilhao 2A
Zona Industrial da Abelheira
4785-123 Trofa
Tel. +351 252 418431
Fax +351 252 494739
pam@mail.telepac.pt

Republic of South Africa

RUBICON
ELECTRICAL DISTRIBUTORS
4 Reith Street, Sidwell
6061 Port Elizabeth
Tel. +27 41 451-4359
Fax +27 41 451-1296
sales@rubiconelectrical.com

Romania

First Electric SRL
Str. Ritmului Nr. 1 Bis
Ap. 2, Sector 2
021675 Bucuresti
Tel. +40 21 2526218
Fax +40 21 3113193
office@firstelectric.ro

Singapore

BM Safety Singapore Pte Ltd.
3 Ang Mo Kio Industrial Park 2A
#07-04 Ang Mo Kio Tech 1
Singapore 568050
Tel. +65 6483 9288
Fax +65 6235 0506
sales@bmsafety.com.sg

Slovakia

EUCHNER electric s.r.o.
Trnkova 3069/117h
628 00 Brno
Tel. +420 533 443-150
Fax +420 533 443-153
info@euchner.cz

Slovenia

SMM proizvodni sistemi d.o.o.
Jaskova 18
2000 Maribor
Tel. +386 2 4502326
Fax +386 2 4625160
franc.kit@smm.si

Spain

EUCHNER, S.L.
Gurutzegi 12 - Local 1
Poligono Belartza
20018 San Sebastian
Tel. +34 943 316-760
Fax +34 943 316-405
info@euchner.es

Sweden

Censit AB
Box 331
33123 Värnamo
Tel. +46 370 691010
Fax +46 370 18888
info@censit.se

Switzerland

EUCHNER AG
Falknisstrasse 9a
7320 Sargans
Tel. +41 81 720-4590
Fax +41 81 720-4599
info@euchner.ch

Taiwan

Daybreak Int'l (Taiwan) Corp.
3F, No. 124, Chung-Cheng Road
Shihlin 11145, Taipei
Tel. +886 2 8866-1234
Fax +886 2 8866-1239
day111@ms23.hinet.net

Turkey

EUCHNER Endüstriyel Emniyet
Teknolojileri Ltd. Şti.
Hattat Bahattin Sok.
Ceylan Apt. No. 13/A
Göztepe Mah.
34730 Kadıköy / Istanbul
Tel. +90 216 359-5656
Fax +90 216 359-5660
info@euchner.com.tr

United Kingdom

EUCHNER (UK) Ltd.
Unit 2 Petre Drive,
Sheffield
South Yorkshire
S4 7PZ
Tel. +44 114 2560123
Fax +44 114 2425333
sales@euchner.co.uk

USA

EUCHNER USA Inc.
6723 Lyons Street
East Syracuse, NY 13057
Tel. +1 315 701-0315
Fax +1 315 701-0319
info@euchner-usa.com

EUCHNER USA Inc.

Detroit Office
130 Hampton Circle
Rochester Hills, MI 48307
Tel. +1 248 537-1092
Fax +1 248 537-1095
info@euchner-usa.com

Germany

Augsburg

EUCHNER GmbH + Co. KG
Ingenieur- und Vertriebsbüro
Julius-Spokojny-Weg 8
86153 Augsburg
Tel. +49 821 56786540
Fax +49 821 56786541
peter.klopfer@euchner.de

Berlin

EUCHNER GmbH + Co. KG
Ingenieur- und Vertriebsbüro
Ulmenstraße 115a
12621 Berlin
Tel. +49 30 50508214
Fax +49 30 56582139
alexander.walz@euchner.de

Chemnitz

EUCHNER GmbH + Co. KG
Ingenieur- und Vertriebsbüro
Am Vogelherd 2
09627 Bobritzsch-Hilbersdorf
Tel. +49 37325 906000
Fax +49 37325 906004
jens.zehrtner@euchner.de

Düsseldorf

EUCHNER GmbH + Co. KG
Ingenieur- und Vertriebsbüro
Tippgarten 3
59427 Unna
Tel. +49 2308 9337284
Fax +49 2308 9337285
christian.schinke@euchner.de

Essen

Thomas Kreißl
fördern - steuern - regeln
Hackenbergweg 8a
45133 Essen
Tel. +49 201 84266-0
Fax +49 201 84266-66
info@kreisslessen.de

Freiburg

EUCHNER GmbH + Co. KG
Ingenieur- und Vertriebsbüro
Steige 5
79206 Breisach
Tel. +49 7664 403833
Fax +49 7664 403834
peter.seifert@euchner.de

Lübeck

EUCHNER GmbH + Co. KG
Ingenieur- und Vertriebsbüro
Am Stadtrand 13
23556 Lübeck
Tel. +49 451 88048371
Fax +49 451 88184364
martin.pape@euchner.de

Nürnberg

EUCHNER GmbH + Co. KG
Ingenieur- und Vertriebsbüro
Steiner Straße 22a
90522 Oberasbach
Tel. +49 911 6693829
Fax +49 911 6696722
ralf.paulus@euchner.de

Stuttgart

EUCHNER GmbH + Co. KG
Ingenieur- und Vertriebsbüro
Kohlhammerstraße 16
70771 Leinfelden-Echterdingen
Tel. +49 711 7597-0
Fax +49 711 7597-303
oliver.laier@euchner.de
uwe.kupka@euchner.de

Wiesbaden

EUCHNER GmbH + Co. KG
Ingenieur- und Vertriebsbüro
Adolfsallee 3
65185 Wiesbaden
Tel. +49 611 98817644
Fax +49 611 98895071
giancarlo.pasquesi@euchner.de



EUCHNER

More than safety.



Support hotline

You have technical questions about our products or how they can be used?
For further questions please contact your local sales representative.



Comprehensive download area

You are looking for more information about our products?
You can simply and quickly download operating instructions, CAD or ePLAN data and accompanying software for our products at www.euchner.com.



Customer-specific solutions

You need a specific solution or have a special requirement?
Please contact us. We can manufacture your custom product even in small quantities.






EUCHNER near you

You are looking for a contact at your location? Along with the headquarters in Leinfelden-Echterdingen, the worldwide sales network includes 18 subsidiaries and numerous representatives in Germany and abroad – you will definitely also find us near you.


www.euchner.com

How to find “your” MGB:

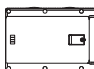
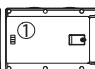
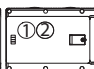

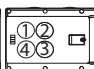
Considerations in relation to the output family

	MGB-AP for separate operation
	MGB-AR for separate operation or series connection with other AR devices
	MGB-PN for operation in PROFINET environment













Step 1 Interlocking or guard locking?

-	MGB-LO...: Interlocking (Only monitoring of the door position)
	MGB-L1...: Guard locking by spring force (Closed-circuit current principle)
	MGB-L2...: Guard locking by solenoid force (Open-circuit current principle)

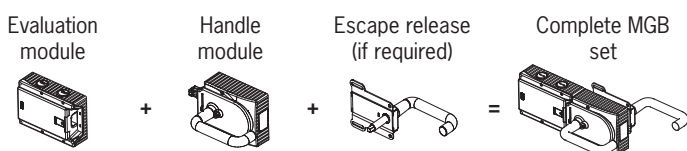
Step 2 Select number of controls/indicators required

Contact assembly/ counting direction	    
---	---

Step 3 Select type of controls and indicators

	Emergency stop according to ISO 13850
 / 	Illuminated emergency stop / emergency stop with monitoring contact
 / 	Machine stop / machine stop with monitoring contact
 / 	Pushbutton, illuminated / not illuminated (Different colors available)
	LED (Different colors available)
 / 	Selector switch form V, 2-stage, optionally illuminated (Different versions available. For details see ordering table and description of the details)
 / 	Key-operated selector switch form L or V, 2-stage (Different versions available. For details see ordering table and description of the details)

Step 4 Select complete MGB set with the required configuration



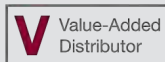
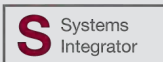
Have you not been able to find the configuration you require?

You will find further information at www.euchner.com. Alternatively our product consultants are available to assist you from the factory or on site.

For an explanation of symbols, see also Page 8.

EUCHNER GmbH + Co. KG

Kohlhammerstraße 16
70771 Leinfelden-Echterdingen
Germany
Tel. +49 711 7597-0
Fax +49 711 753316
info@euchner.de
www.euchner.com



248-373-1600 • morrell-group.com • orders@morrellinc.com

MI • IN • IL • OH • ON, CAN

MorrellGroup 
Evolution in Controls

EUCHNER

More than safety.